

Steel ball valves, reduced bore

welding / welding, GOST, DN 100-600, reduced bore

Body	DN 100-500 Steel, P235GH (1.0345) DN 600 Steel, P355 NL1 (1.0566)/ GP240GH (1.0619)
Ball	DN 100-600 Stainless steel, X5CrNi18-10 (1.4301)
Ball seal	DN 100-600 PTFE+C
Stem	DN 100-600 Stainless steel, X8CrNiS18-9 (1.4305)
Stem seal	DN 100-600 FPM
Operation	DN 100-600 Valve is equipped with manual gear

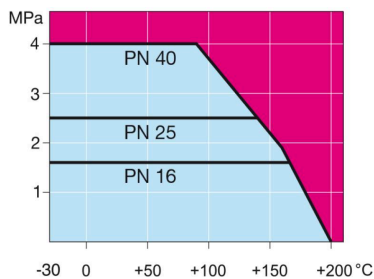


Operation conditions

-30 °C – +200 °C

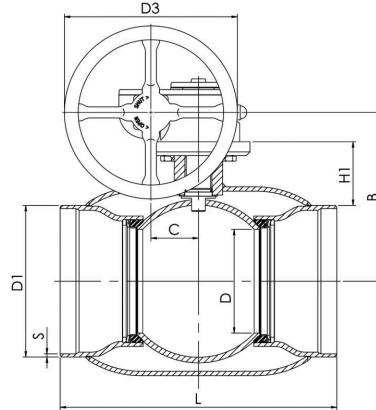
Below 0 °C contact manufacturer

Leakage rate A (EN 12266-1)

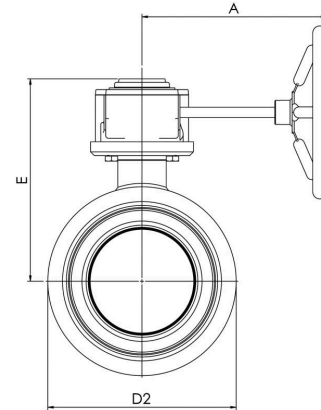


Not for steam

DN 100-600



DN 100-600



DN	PN	Product no. Naval	A	B	C	D	D1	D2	D3	E	H1	L	S	kg
100	25	284432/GS	186	196	53	80	108.0	146.0	125.0	239	105	325	3.6	18.0
125	25	284433/GS	224	216	53	100	133.0	177.8	200.0	258	112	325	4.0	20.0
150	25	284434/GS	224	236	53	125	159.0	219.1	200.0	279	118	350	5.0	25.0
200	25	284436/GS	268	244	69	150	219.0	273.0	250.0	293	92	400	6.0	43.0
250	25	284437/GS	301	294	97	200	273.0	355.6	300.0	345	108	530	6	88.0
300	25	284438/GS	363	343	117	250	325.0	457.0	500.0	412	132	550	7	138.0
350	25	284498/GS	363	418	117	290	377.0	508.0	500.0	487	192	686	7,0	212.0
400	25	284439/GS	440	500	138	340	426.0	610.0	500.0	573	342	762	7,0	293.0
500	25	284440/GS	471	576	180	390	530.0	660.0	500.0	648	259	914	7,0	467.0
600	25	284441/GS	475	475	180	489	630.0	813.0	500.0	714	274	1065	11	1025.0

*DN 700-800 also available in PN40. For more information contact our customer service.

Steel ball valves, reduced bore

welding / welding, GOST, DN 700-800, reduced bore

Body	DN 700-800 Steel, P355 NL1 (1.0566)/ GP240GH (1.0619)
Ball	DN 700-800 Steel + stainless plating, ASTM A350 LF2 +Ni
Ball seal	DN 700-800 PTFE+C
Stem	DN 700-800 Stainless steel, X8CrNiS18-9 (1.4305)
Stem seal	DN 700-800 FPM
Operation	DN 700-800 Valve is equipped with manual gear
Equipment	DN 700-800 are equipped with drain valve, mounting stand, lifting lugs

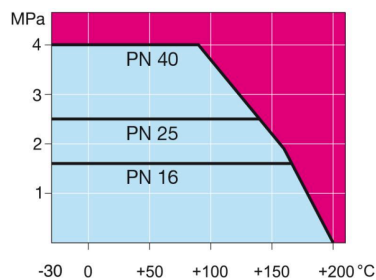


Operation conditions

-30 °C – +200 °C

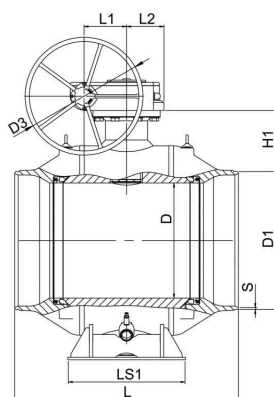
Below 0 °C contact manufacturer

Leakage rate A (EN 12266-1)

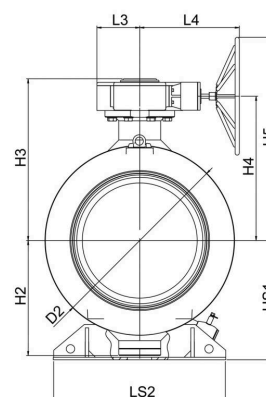


Not for steam

DN 700-800



DN 700-800



DN	PN	Product no.	Naval	D	D1	D2	D3	H1	H2	H3	H4	H5	HS1	L	L1	L2	L3	L4	LS1	LS2	S	kg
700	25	284482/GS		589	720.0	965.0	700.0	332	592	881	778	1128	616	1205	253	222	255	593	560	965	12	2700.0
800	25	284483/GS		684	820.0	1125.0	700.0	363	684	961	858	1208	709	1330	253	222	255	593	700	1028	12	4050.0

*DN 700-800 also available in PN40. For more information contact our customer service.