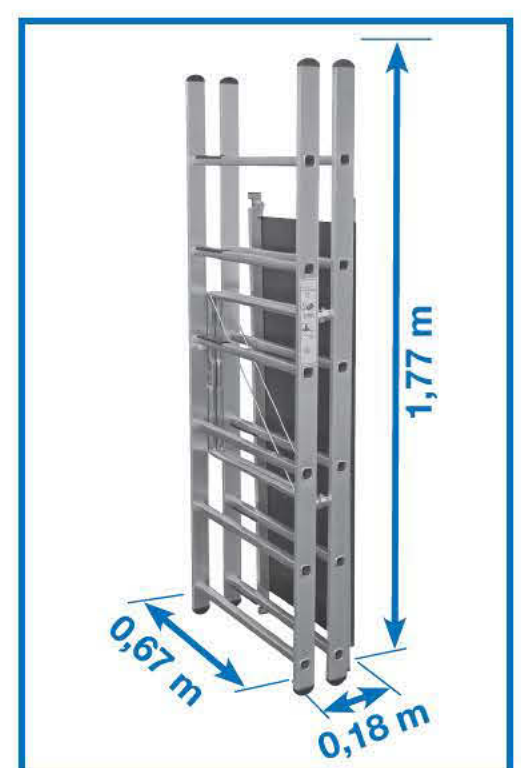
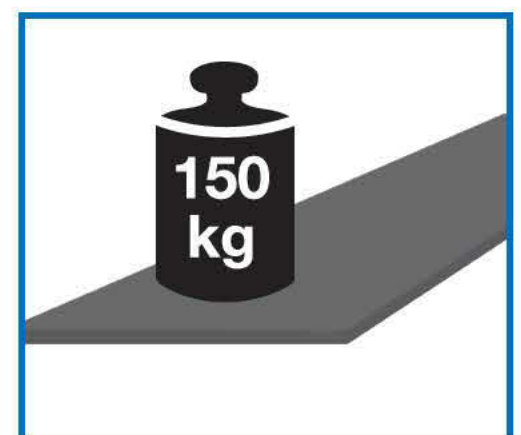
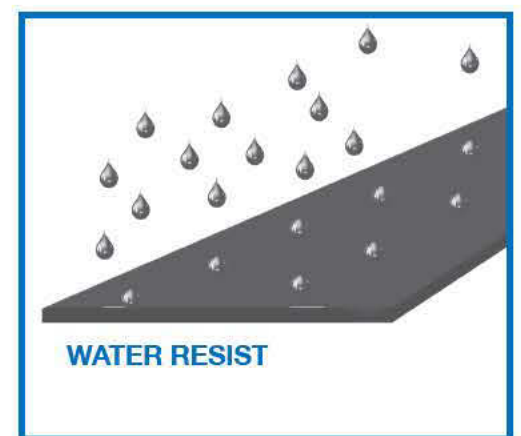




CORDA®

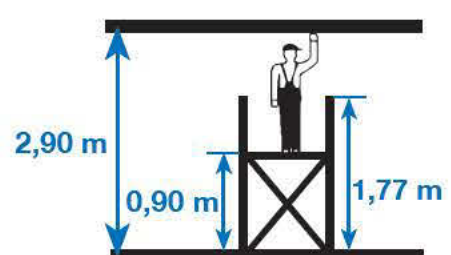
- | | | |
|----------------------------|------------------------------|-------------------------|
| DE Klappgerüst | CZ Skládací lešení | IT Ponteggio pieghevole |
| GB Foldable Scaffold | DK Foldestillads | NL Vouwsteiger |
| PL Rusztowanie składane | EE Klapptellingud | NO Klappbar stillasje |
| RU складывающиеся подмости | ES Andamio con base plegable | RO Schelă rabatabilă |
| HU Összecsukható állvány | FI Kokoontaitettava teline | SE Fällbar ställning |
| BA Preklopiva skela | GR Πτυσσόμενη σκαλωσιά | SI Zložljivi oder |
| BG Сгъваемо скеле | HR Pregibiva skela | SK Skladacie lešenie |
| | | TR Katlanır iskele |



Art.-No. 916198 / 950092

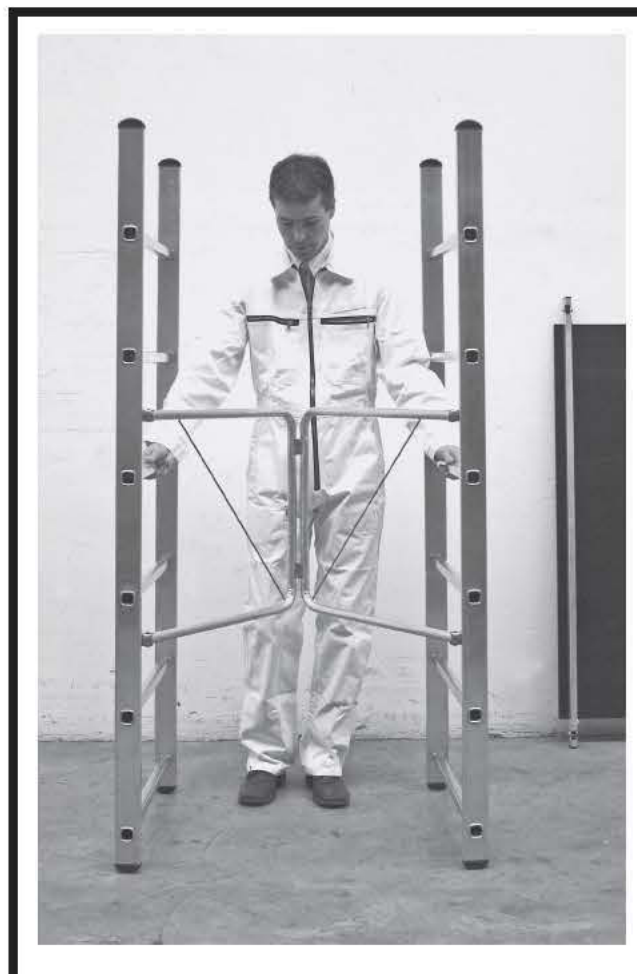


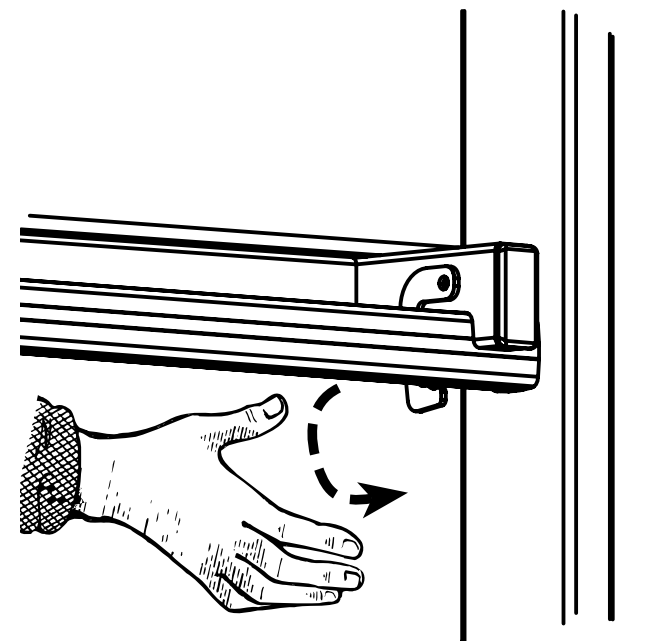
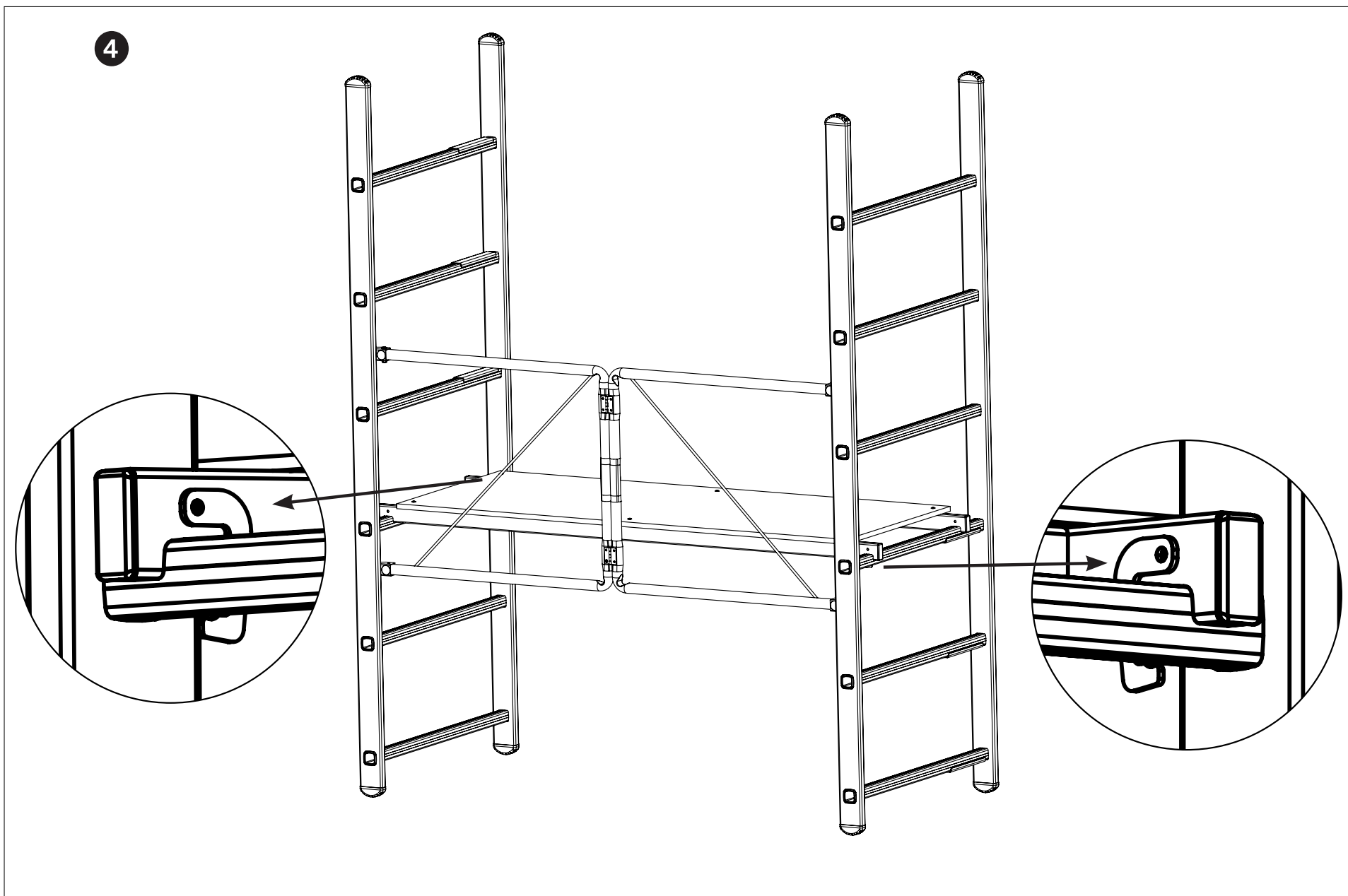
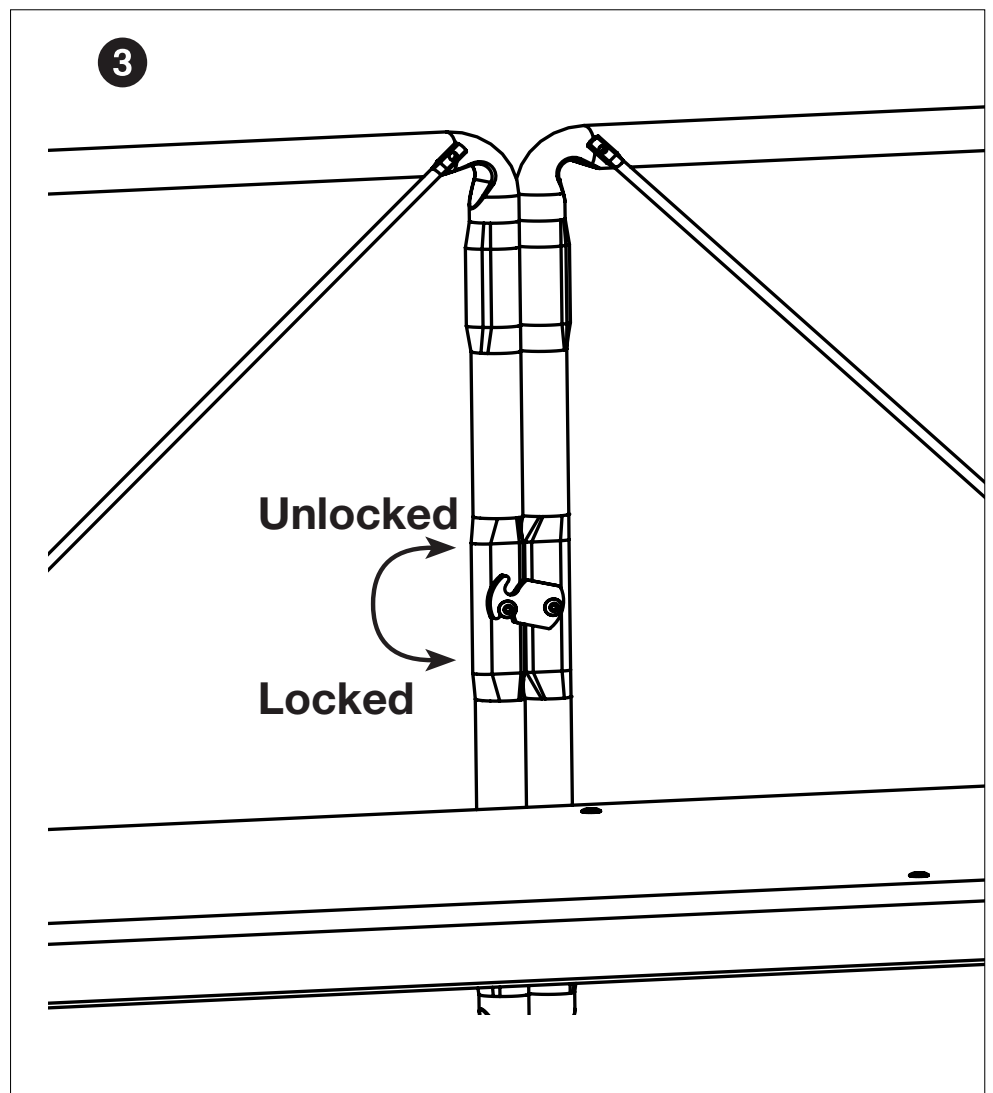
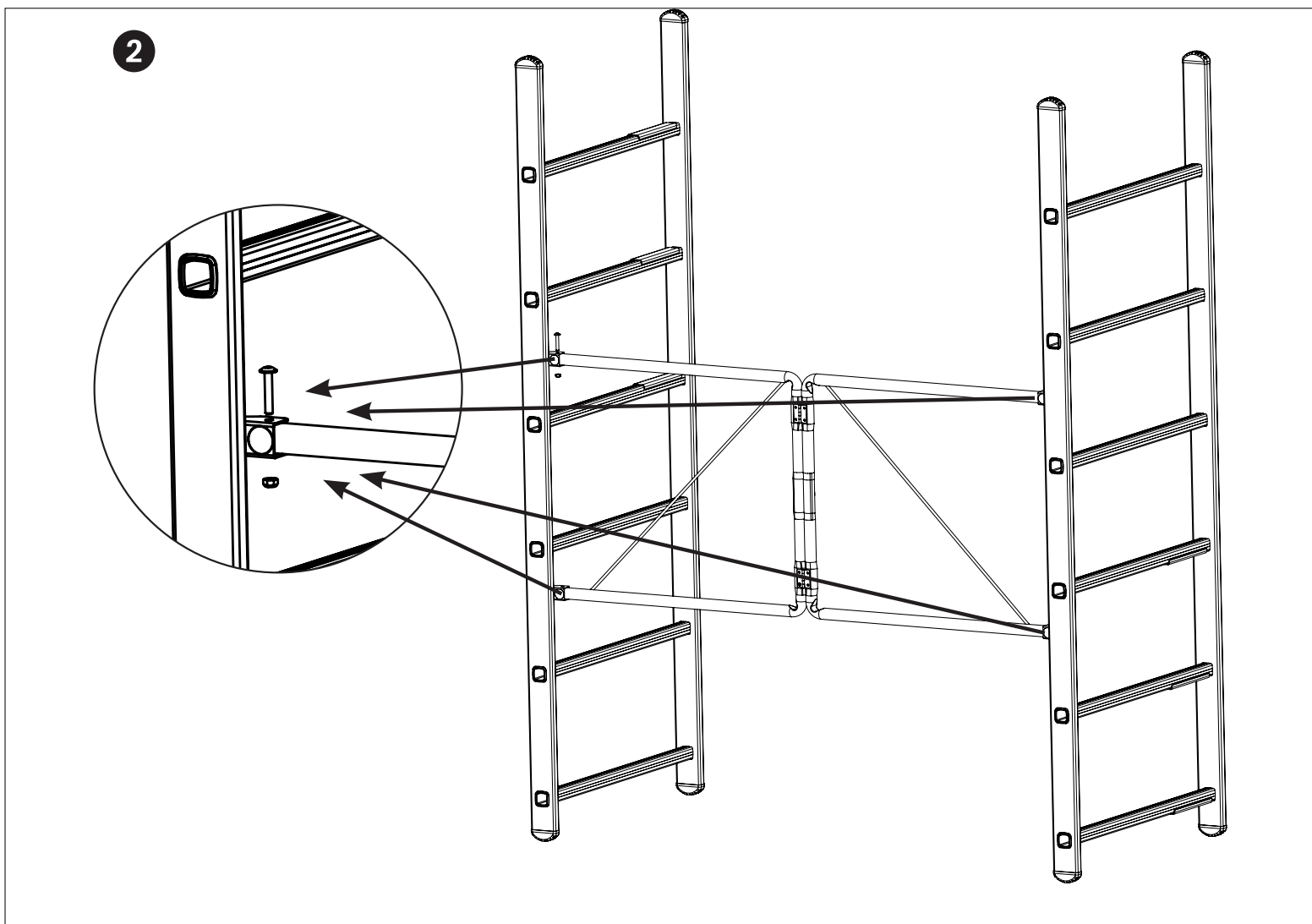
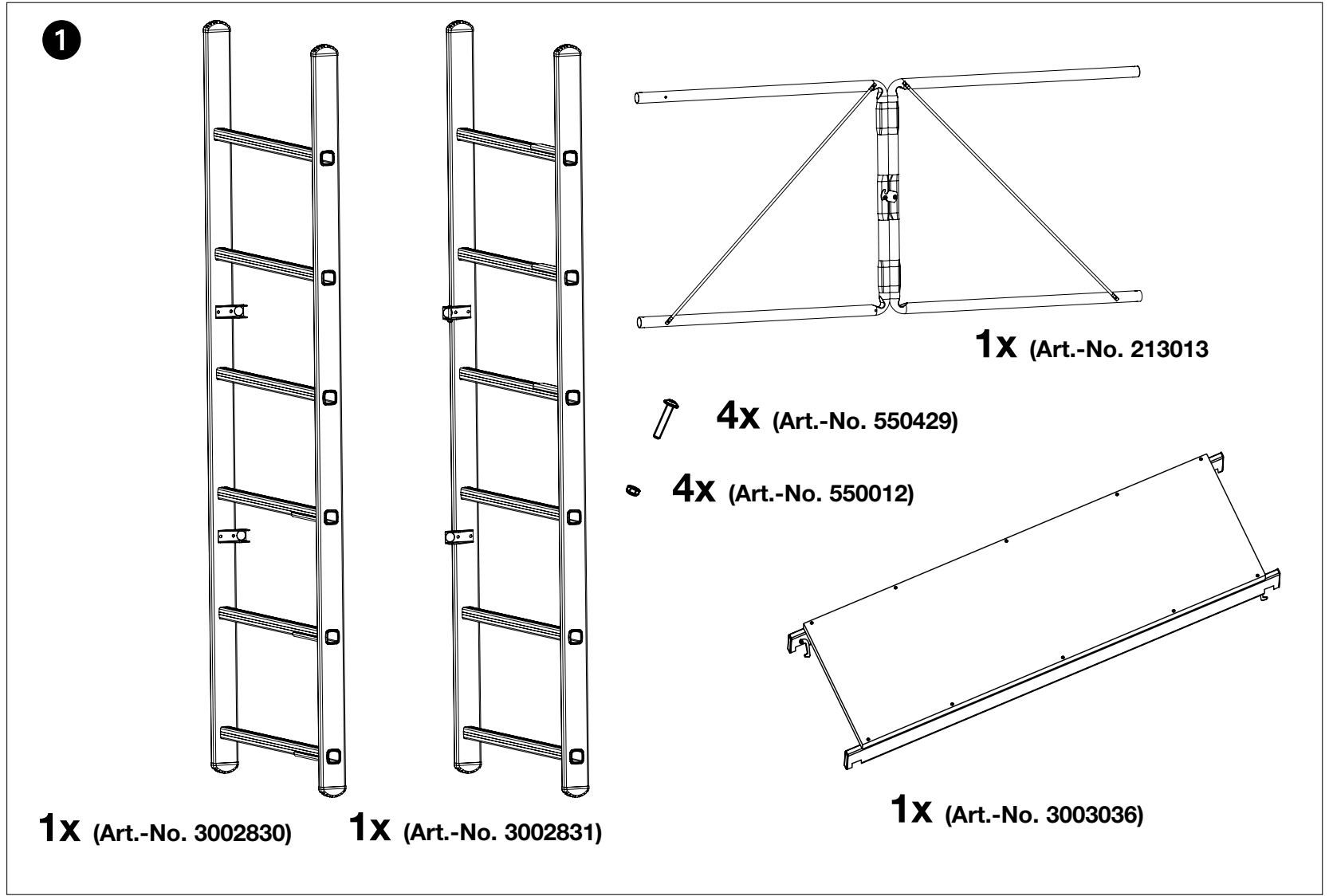
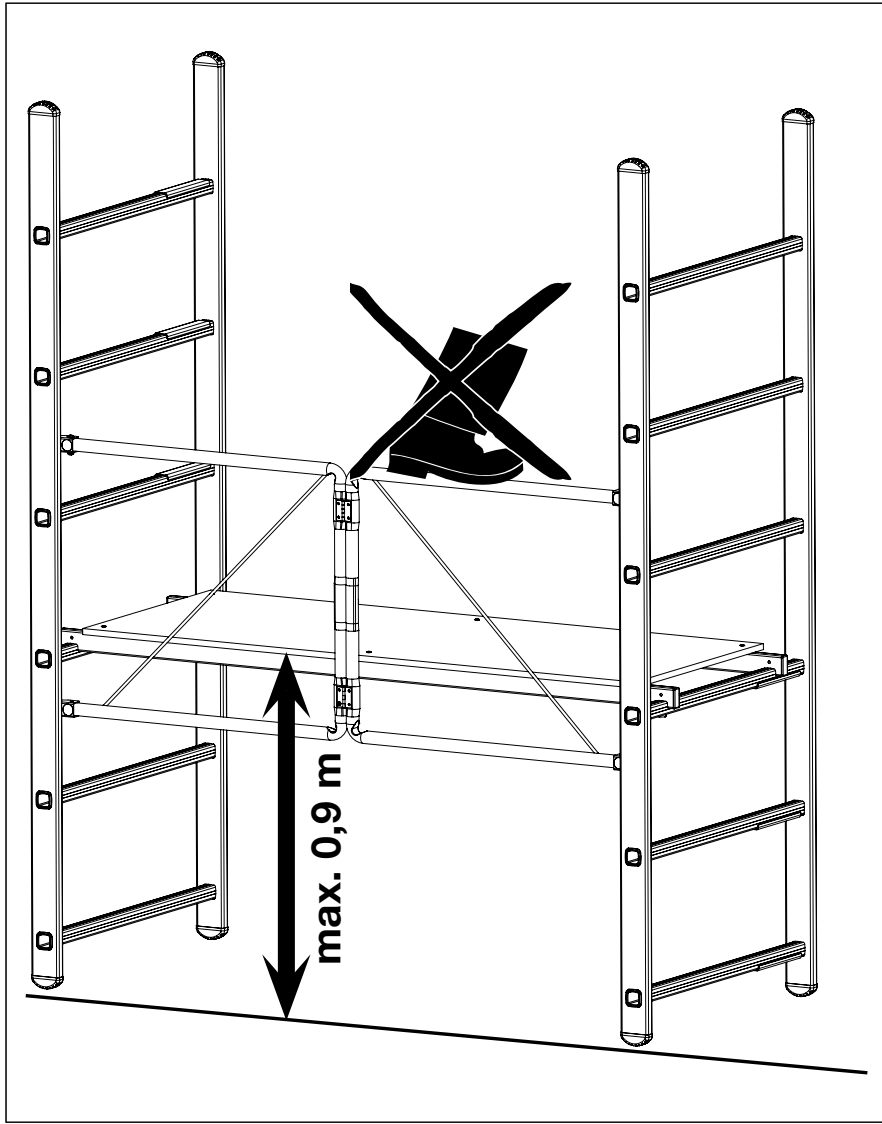
(ca. m)



BGR 173

max. 150 kg





1. Nur original Ersatzteile verwenden.
2. Only use original accessories.
3. Seulement utilisation de pièces d'origine.
4. Only use original spare parts.
5. Kiváltás csak eredeti alkatrészekkel.
6. Only original ladders may be used.
7. Only use original ladders.
8. Only use original ladders.
9. Only use original ladders.
10. Only use original ladders.

1. Für unsicherheitsrelevante Befestigung wird keine Haftung übernommen.
2. No liability for improper use.
3. Toute utilisation non-conforme n'est effectuée sous garantie.
4. No liability for improper use.
5. Nem vállalunk felelősséget a nem megfelelő szerelés miatt.
6. No liability for improper use.
7. No liability for improper use.
8. No liability for improper use.
9. No liability for improper use.
10. No liability for improper use.

1. Schadehafte Ersatzteile sind unverzüglich auszutauschen.
2. Damaged scaffold parts must be withdrawn from circulation immediately.
3. Toute pièce est ébréchée, veuillez ne plus l'utiliser.
4. Damaged parts must be replaced immediately.
5. Defekte alkatrészeket azonnal cserélni kell.
6. Defective parts must be replaced immediately.
7. Defective parts must be replaced immediately.
8. Defective parts must be replaced immediately.
9. Defective parts must be replaced immediately.
10. Defective parts must be replaced immediately.

