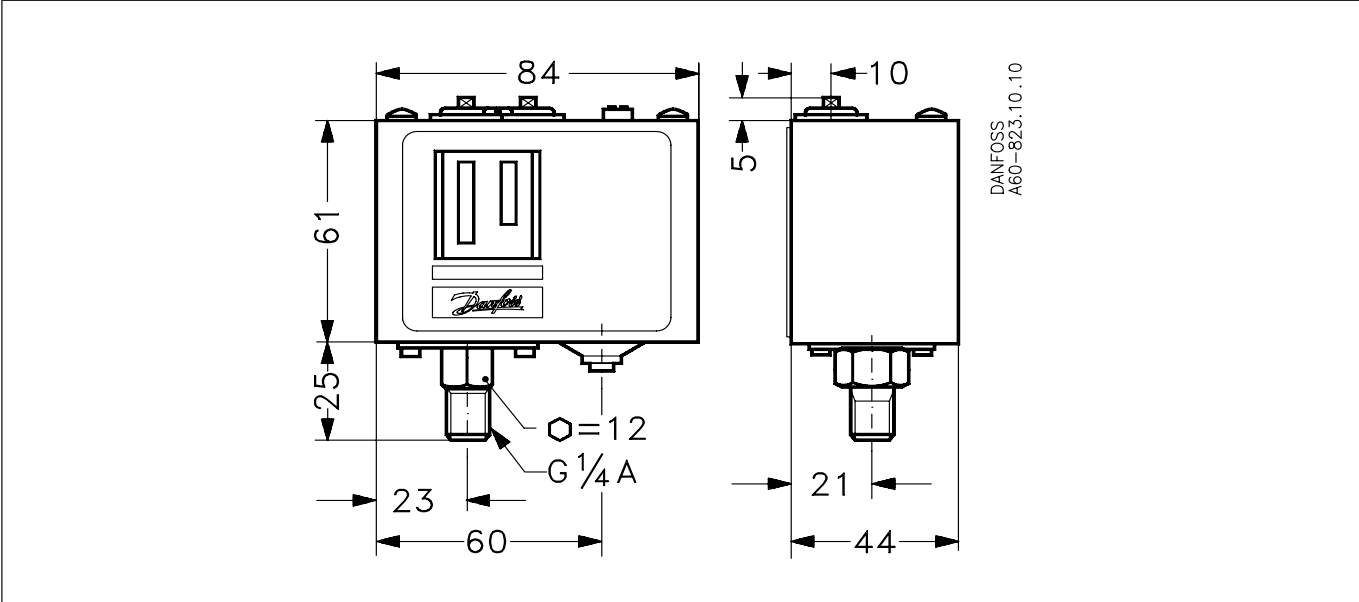


Installation guide

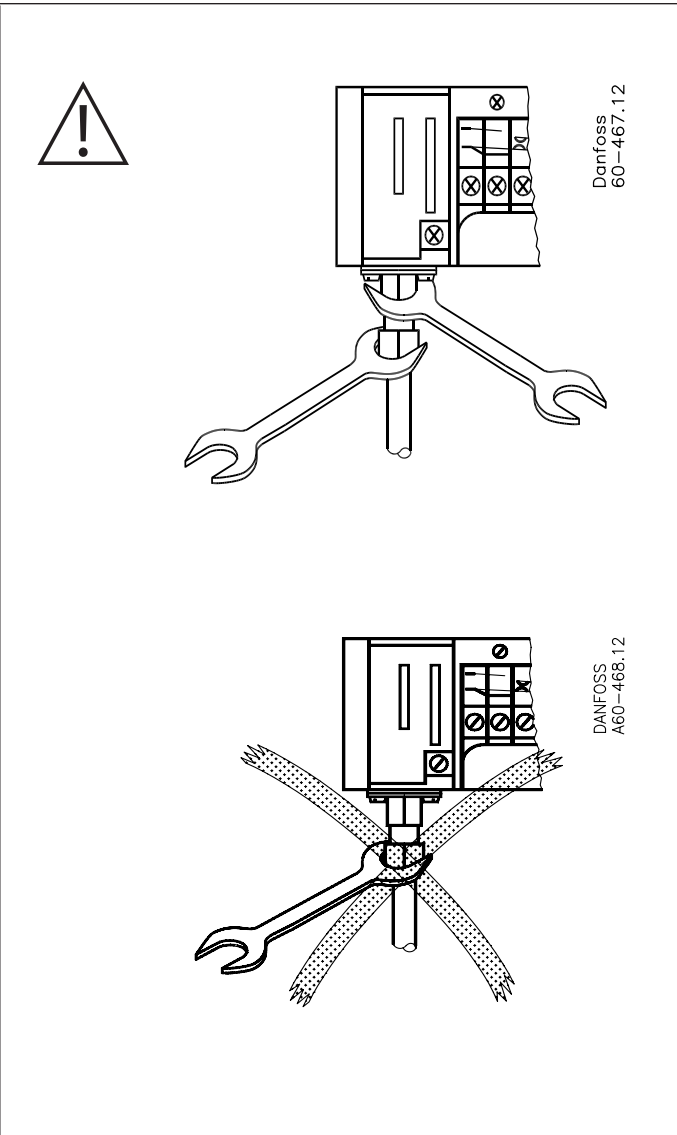
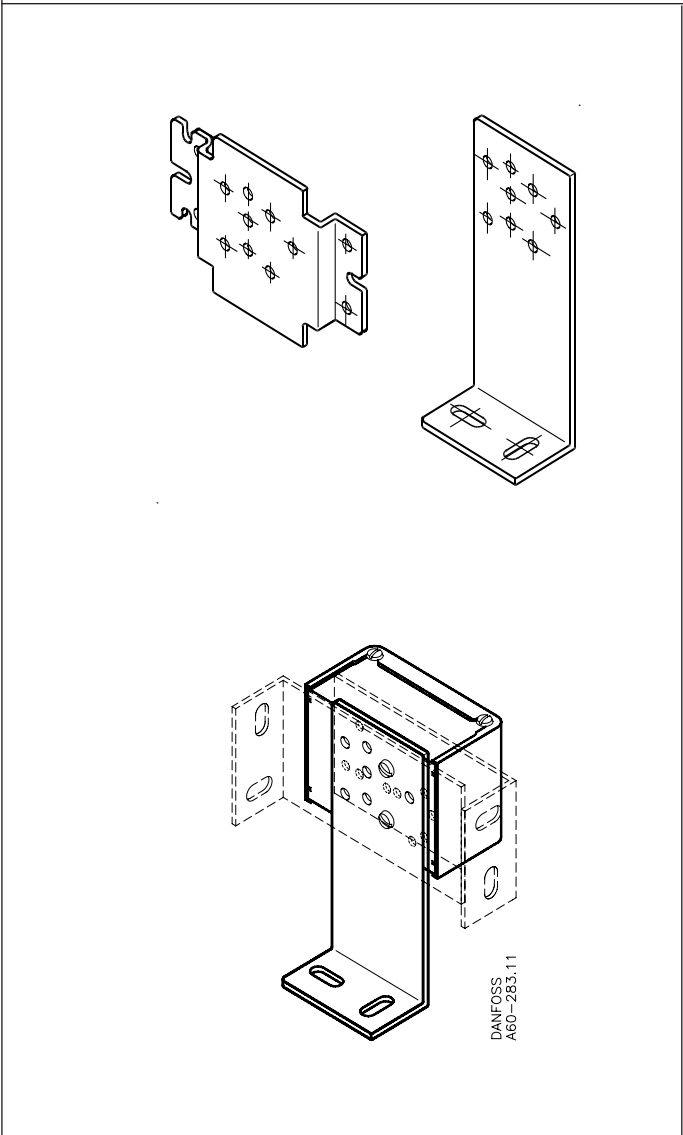
Pressure switch

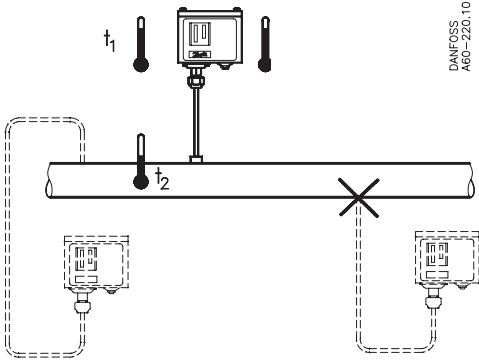
Type KPI 34, KPI 35, KPI 36 and KPI 38

060R9308



060R9308

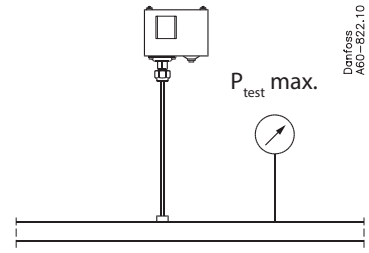




KPI 34, KPI 35, KPI 36, KPI 38

t_1 min. -40 °C
 t_1 max. 65 °C

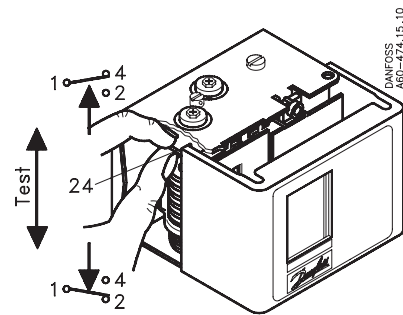
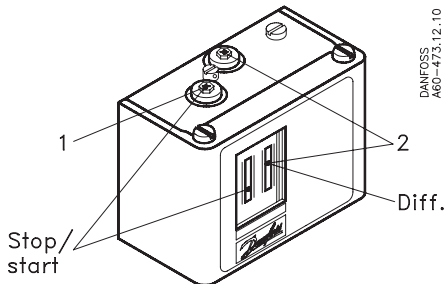
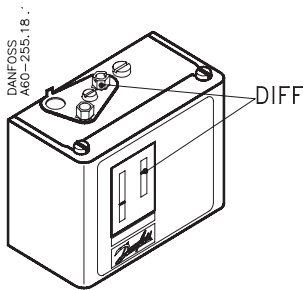
t_2 min. -40 °C
 t_2 max. 100 °C



KPI 34: 18 bar
 KPI 35: 18 bar
 KPI 36: 18 bar
 KPI 38: 30 bar

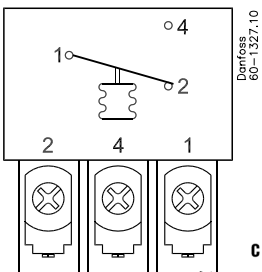
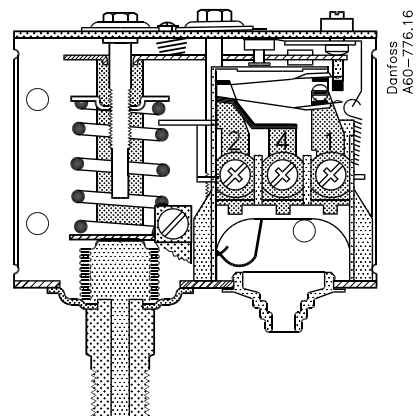
Type	Range	Diff.
KPI 34	-0.2 – 3 bar	0.5 – 1.25 bar
KPI 35	-0.2 – 8 bar	0.4 – 2 bar
KPI 36	4 – 12 bar	0.5 – 1.6 bar
KPI 38	8 – 28 bar	1.8 – 6 bar

Please note: No maintenance is required for the switches after final installation.



CAUTION: Disconnect power supply before wiring connections are made or service to avoid possible electrical shock or damage to equipment. Do never touch live parts with your fingers or with any tool.

Please note: scale in KP units is indicative only. For accurate setting or when using according to FM approval use additional pressure gauge to set the unit.



UL US LISTED Listed refrigeration controller 61B5

Standard contact Alternating current

AC-1 : 10A, 440V
 AC-3 : 6A, 440V
 AC-15: 4A, 440V
 Blocked rotor: 112A

Direct current:
 DC-13, 12W, 220V

Voltage		FL	LR	Resist. load	Pilot duty
AC	DC	A	A		
240	—	6	36	8A	3A
120	—	8	48		
—	240	—	—	—	12W

Use copper wire only
 Tightening torque 20 lb. in.

