



YLI ELECTRONIC

ANSI standard Heavy Duty Electric Strike W/Signal

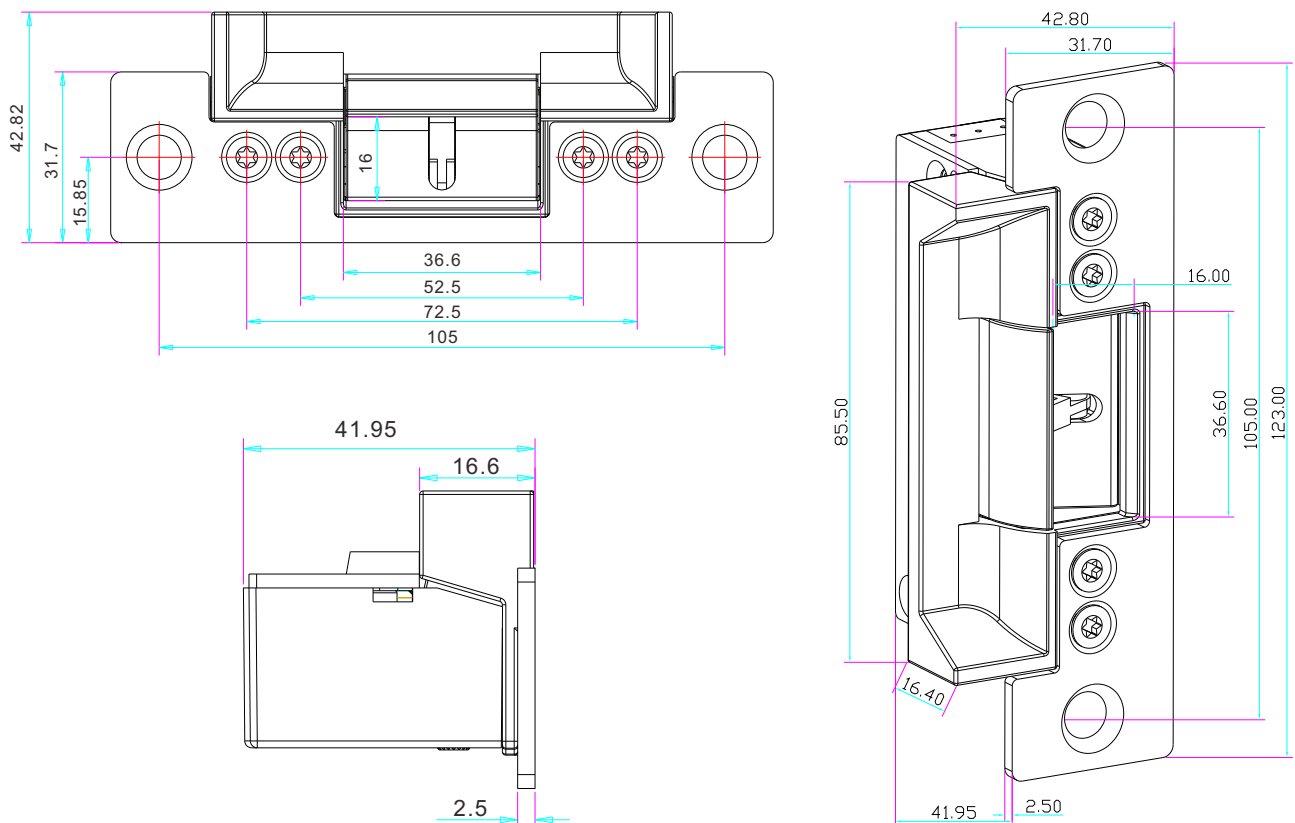
Model:YS-136NO/NC-S



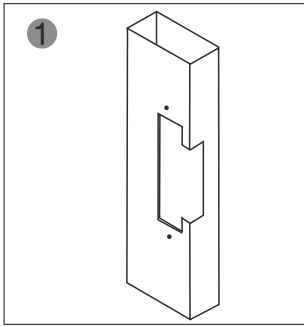
Specification

Lock size	123Lx43Wx42H(mm)
Voltage	12VDC(24VDCneed order)
Current	320mA
Face plate	304 stainless steel force structure
Lock	Zinc alloy(baking varnish by high temperature)
Signal output	Lock status output NO/NC/COM
Feature	Fail secure / Fail safe(NO & NC adjustment)
Suitable For	Wooden Door, Metal Door, PVC Door
Weight	0.34kg

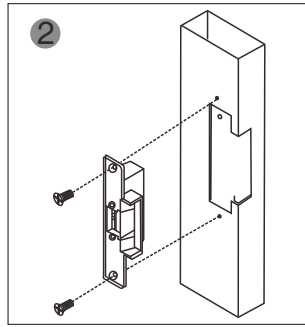
Diagram(unit:mm)



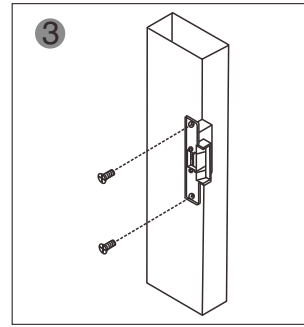
Installation



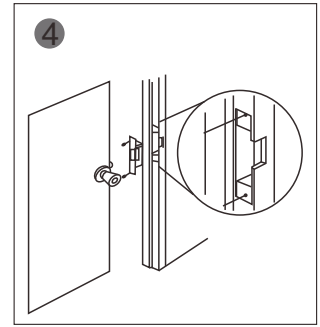
1 Cut hole according to the dimension of strike.



2 Assemble the lock and connect it to the power to test

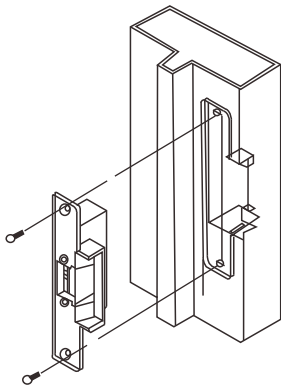


3 Fix the electric strike

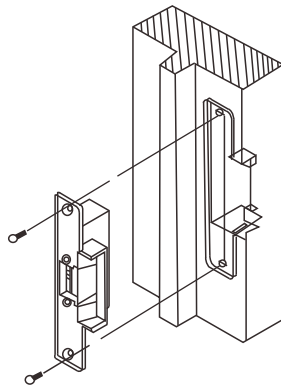


4 Finished

Suitable for



Metal Door Frame



Wooden Door Frame

+	⊗ Red	— Positive
-	⊗ Black	— Negative
NC	⊗ Yellow	— Door Status output
COM	⊗ White	— N.C. contact output : open status
NO	⊗ Green	— N.O. contact output : closed status
NC	⊗ Brown	— Lock Status output
COM	⊗ Gary	— N.O. contact output : open status
NO	⊗ Blue	— N.C. contact output : closed status

Wire connection

