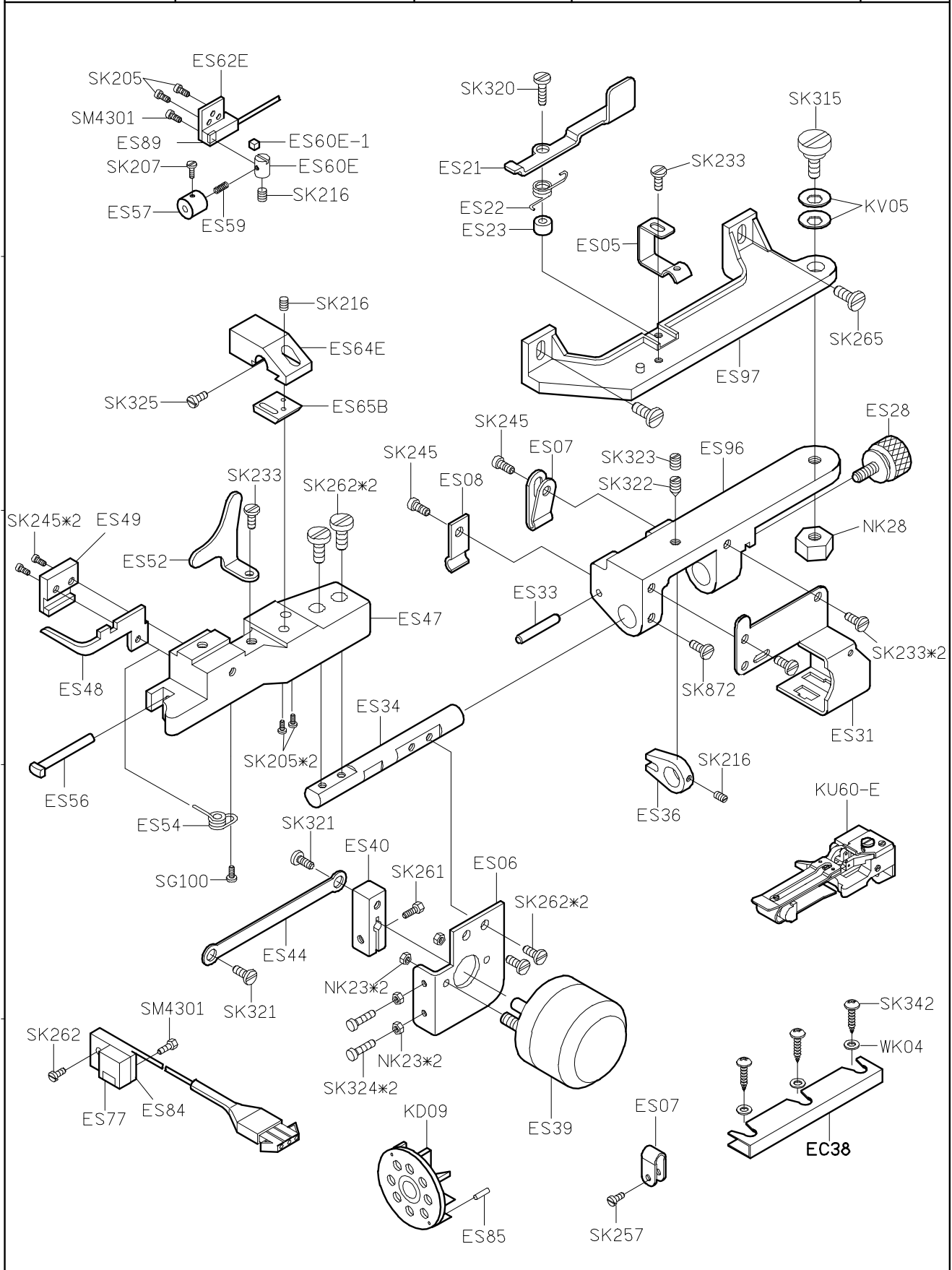


SIRUBA PARTS LIST	Series	Parts Group	Subclass / Remark	Page
	700FS	ESS		1/2
				Date
				2013/08/10



1

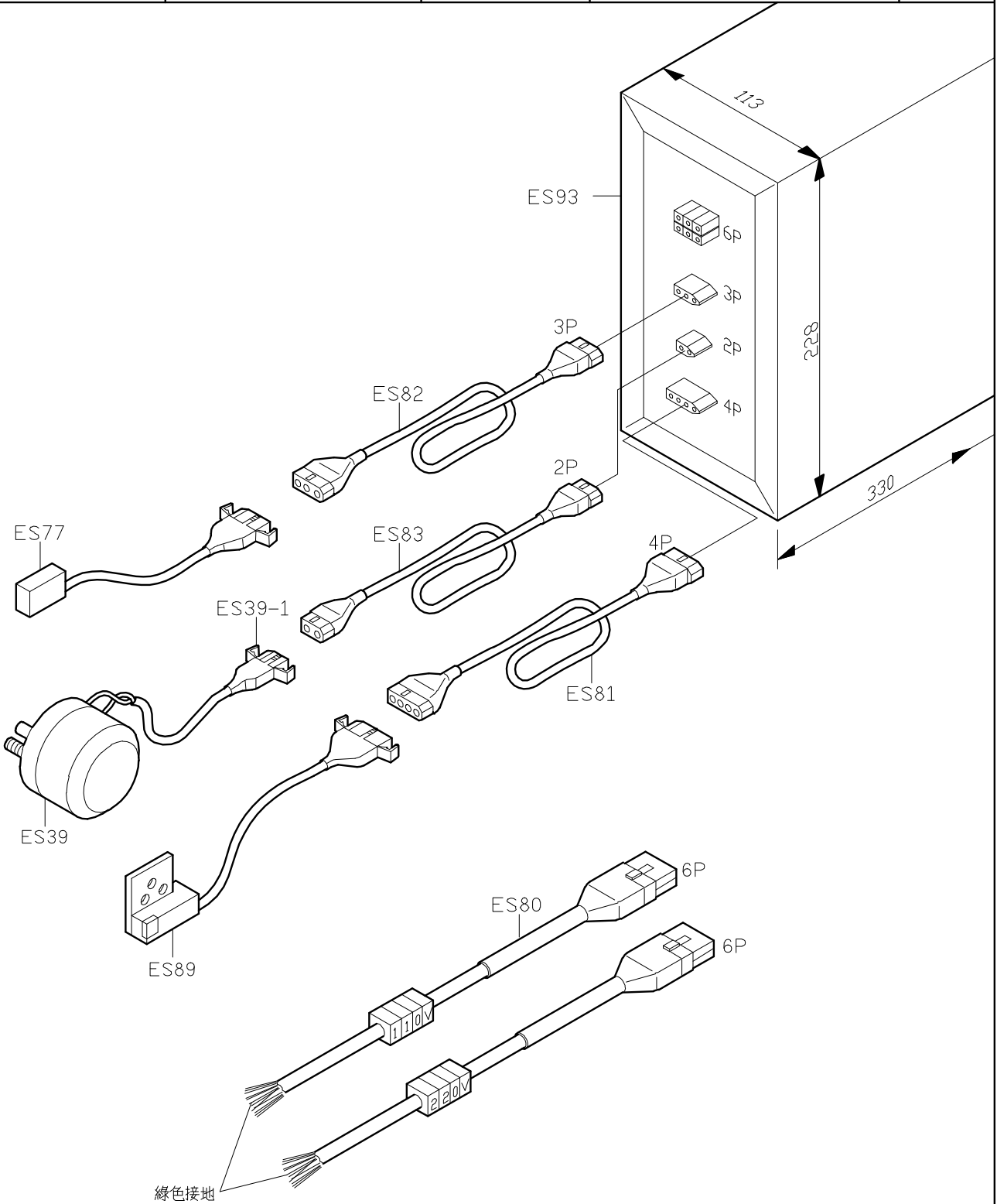
2

3

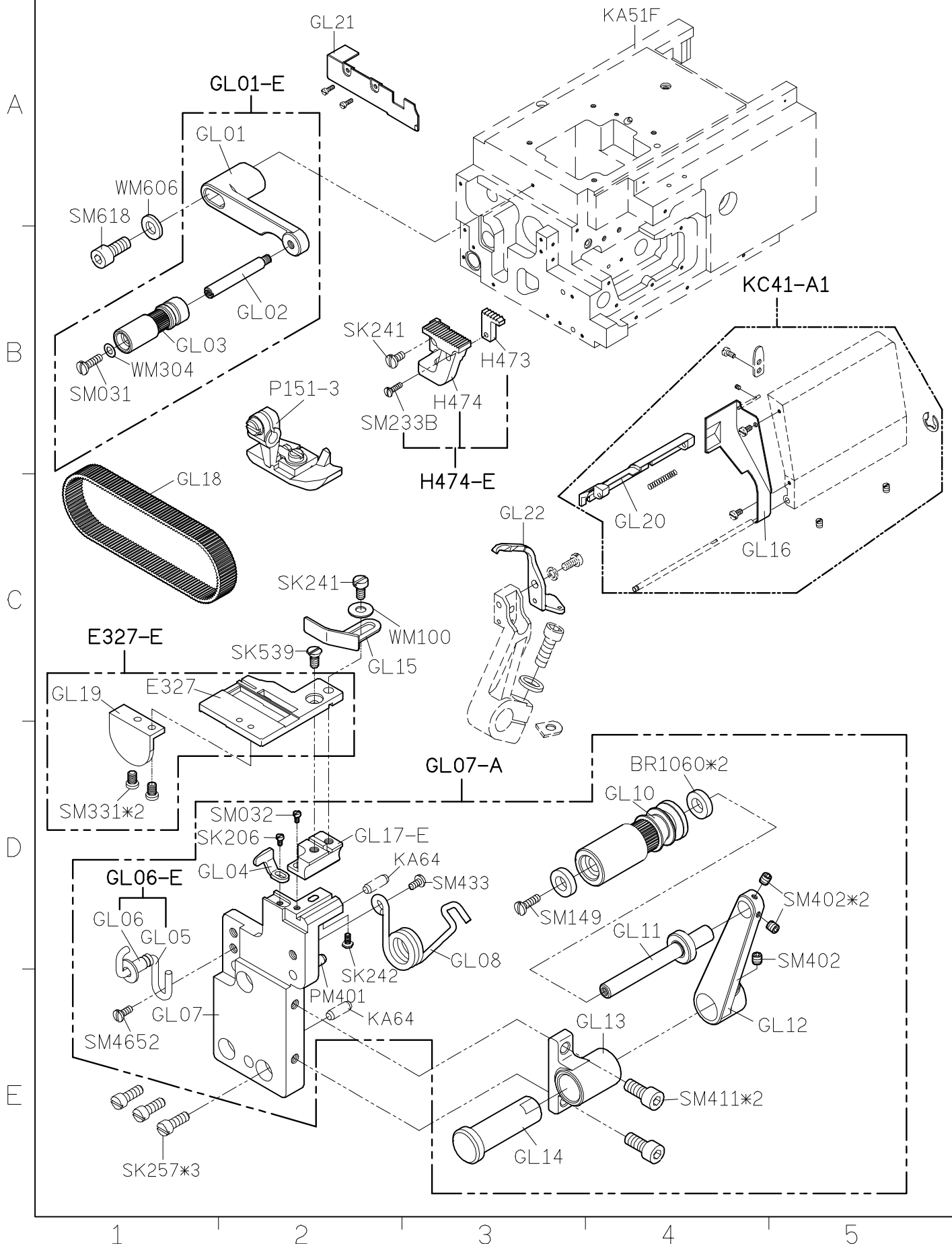
4

5

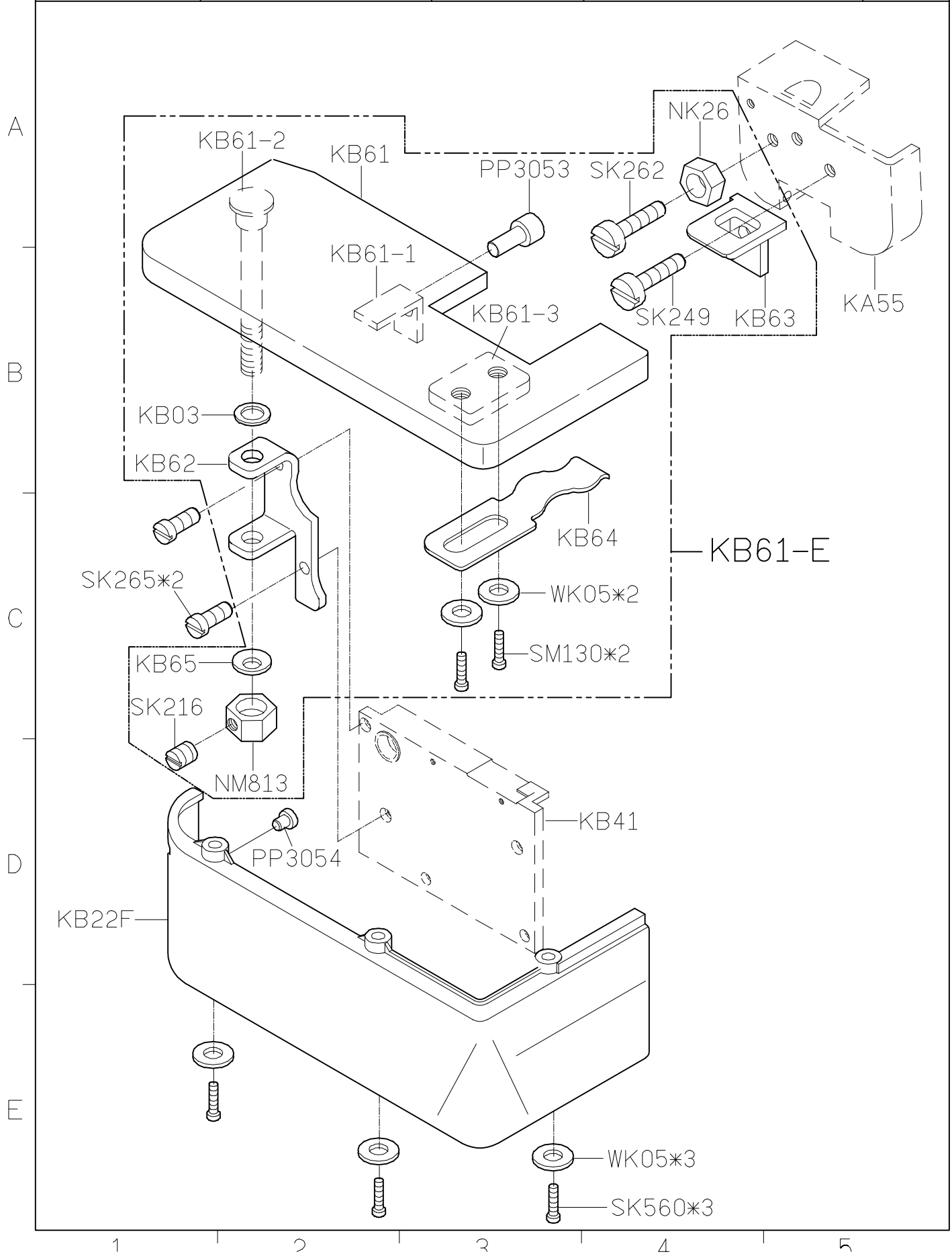
SIRUBA PARTS LIST	Series	Parts Group	Subclass / Remark	Page
	700FS	ESS		2/2
				Date
				2013/08/10



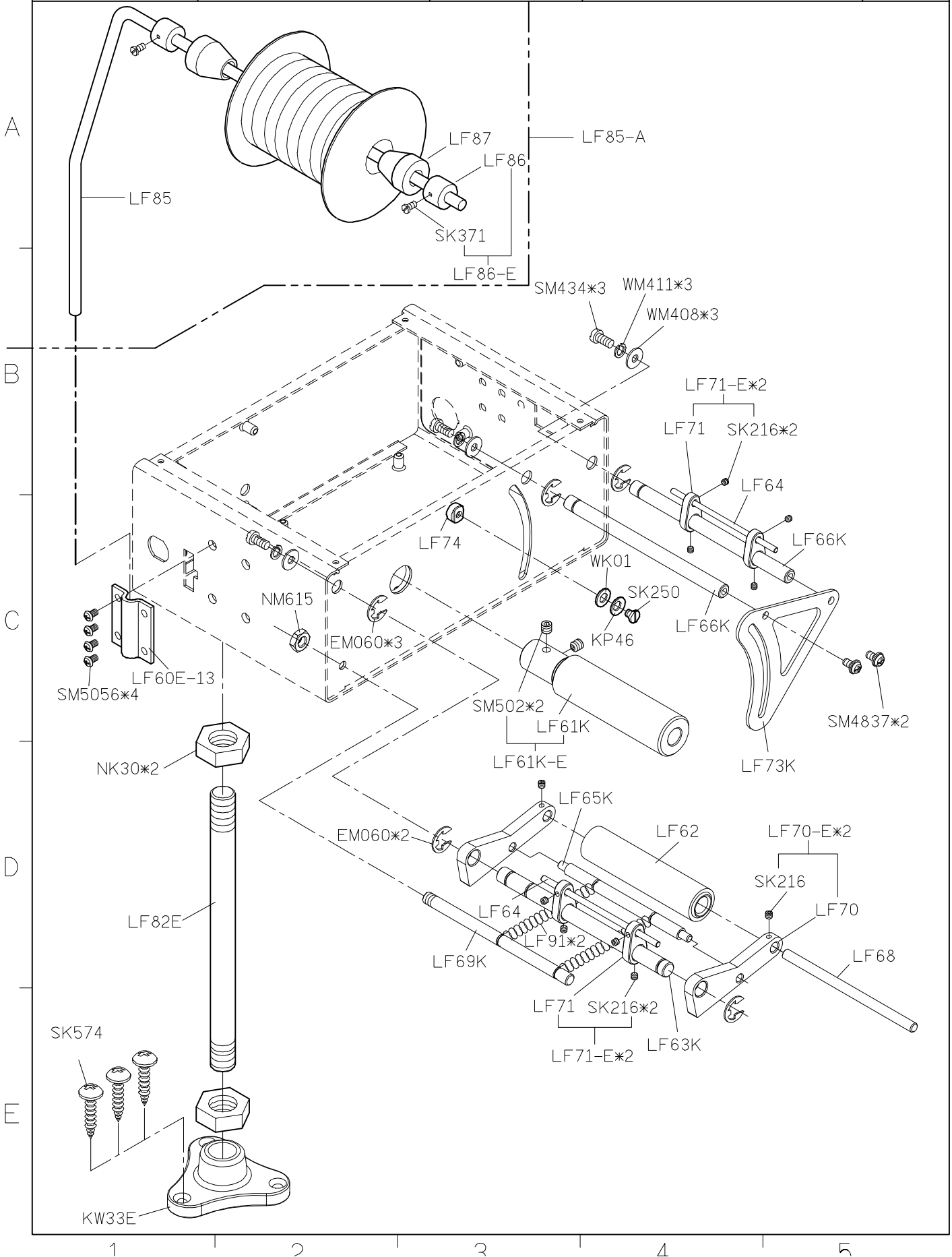
※ 內銷附上110V及220V各一條
外銷已指定地區則只附上一條110V或220V

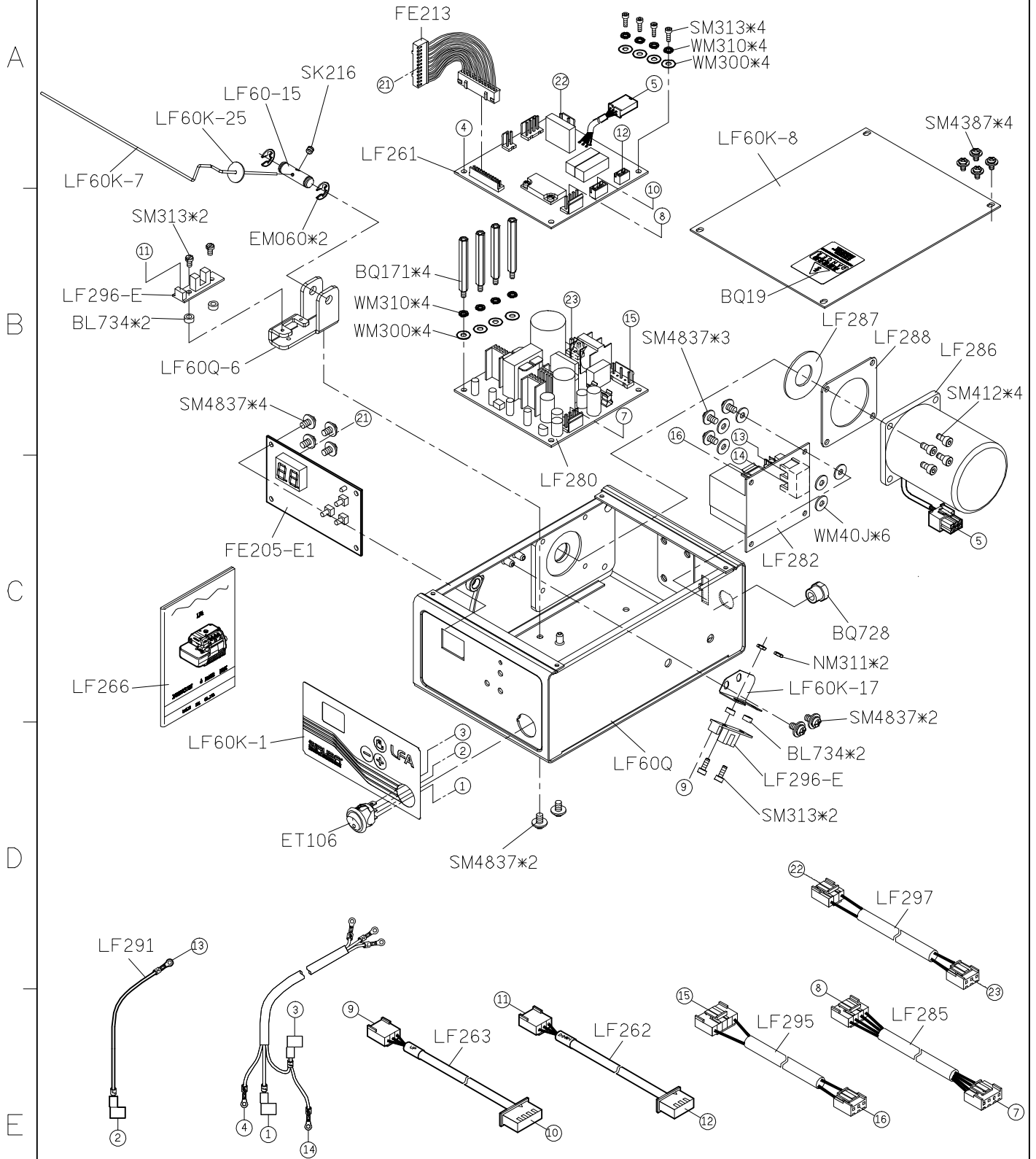


SIRUBA PARTS LIST	Series	Parts Group	Subclass Remark	Page
	700FS	KB61-A		1/1
				Date
				2013/08/10



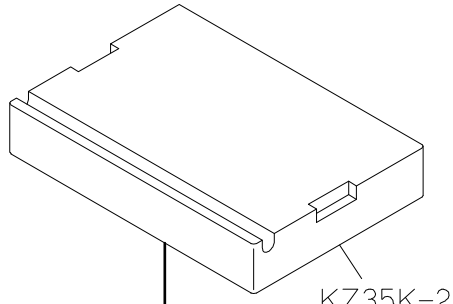
SIRUBA PARTS LIST	Series	Parts Group	Subclass Remark	Page
	700FS	LFA		1/3
				Date
				2013/09/10





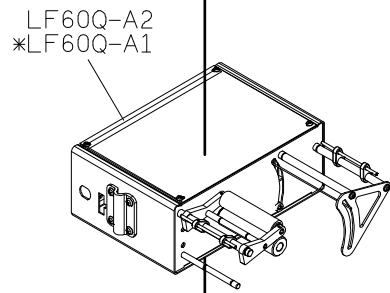
SIRUBA PARTS LIST	Series	Parts Group	Subclass Remark	Page
	700FS	LFA		3/3
				Date
				2012/11/14

A



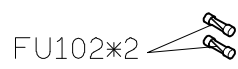
KZ35K-2

B

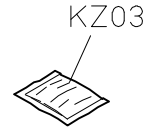


LF60Q-A2
*LF60Q-A1

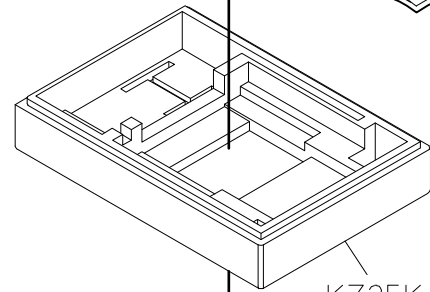
C



FU102*2

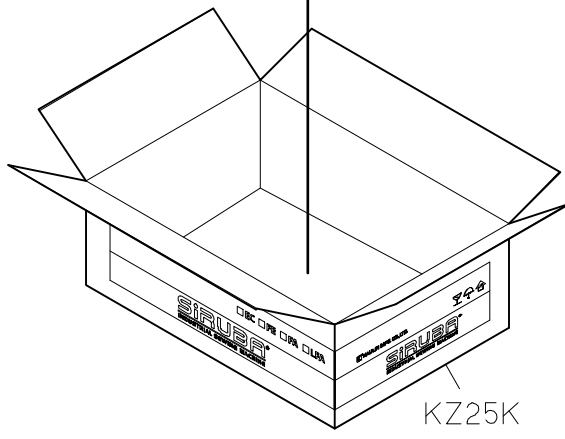


KZ03



KZ35K-1

D



KZ25K

E

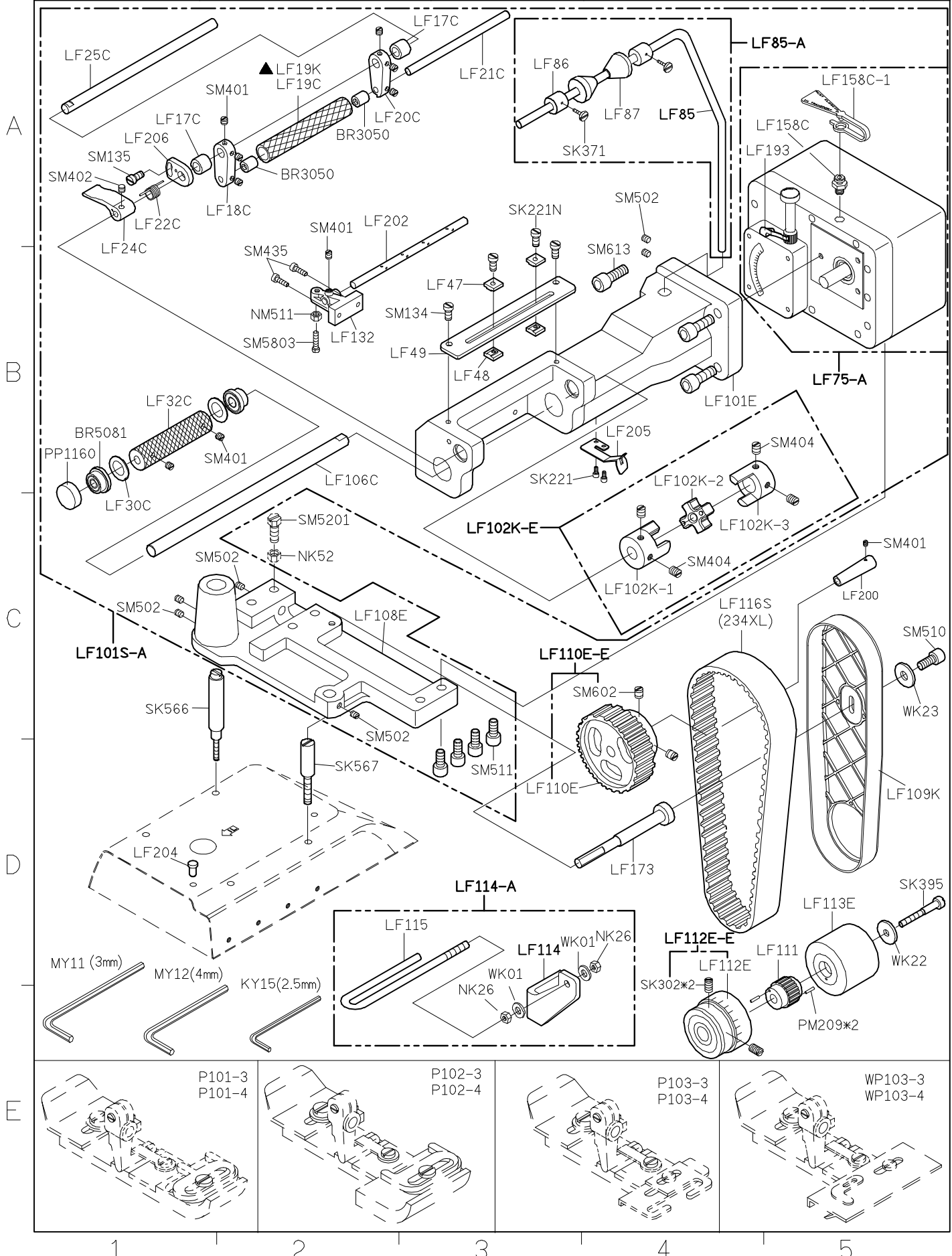
1

2

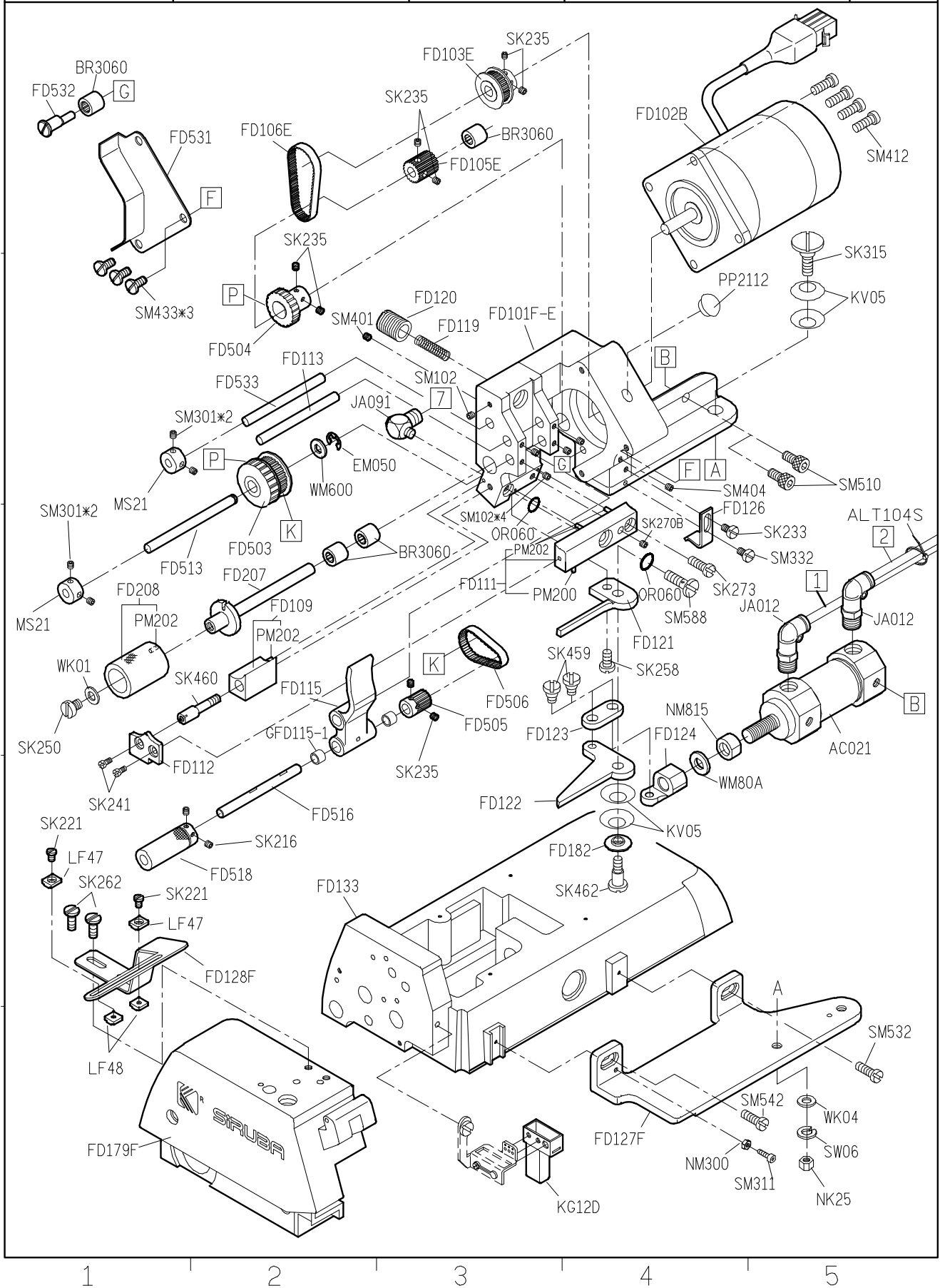
3

4

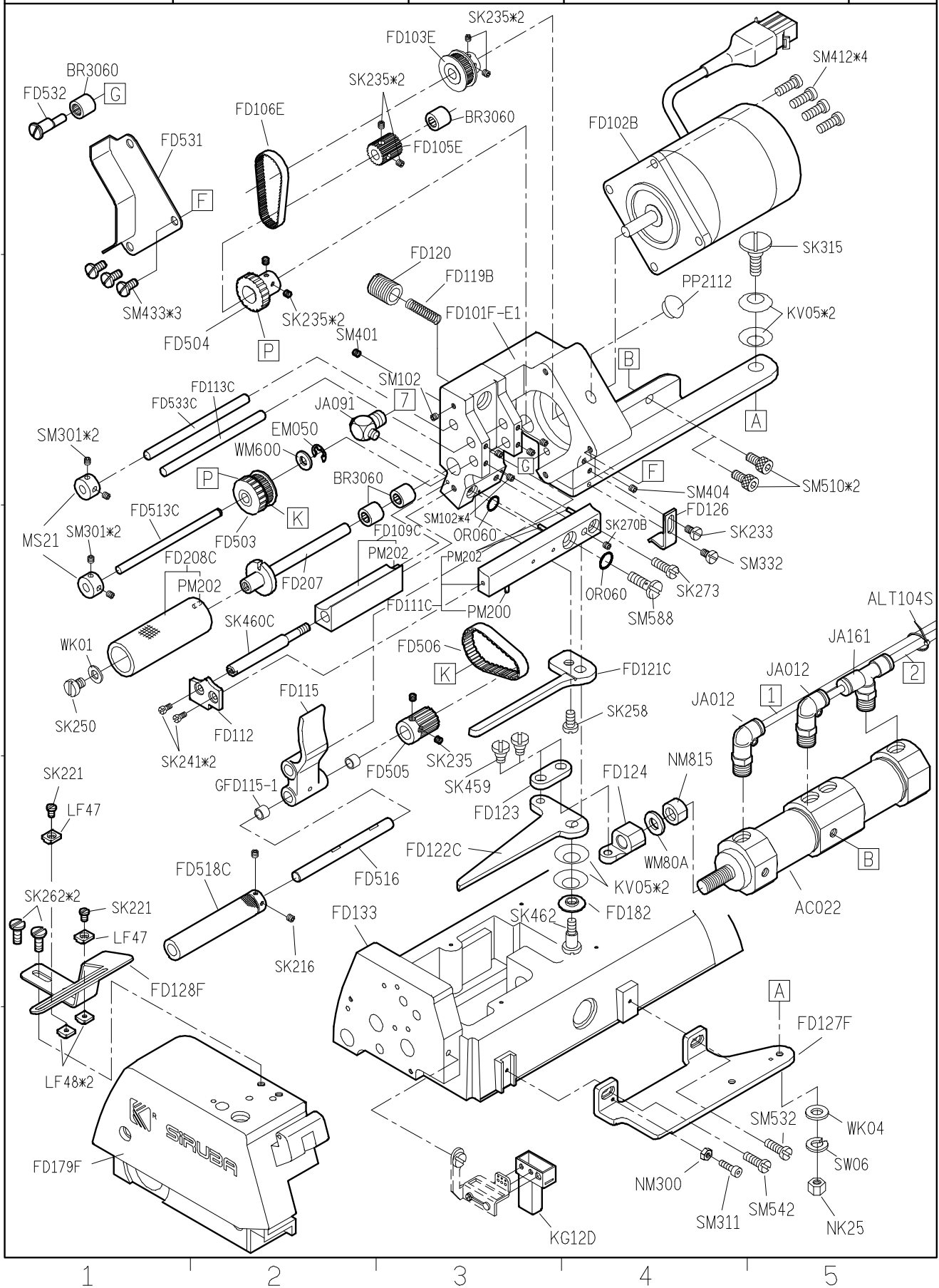
5



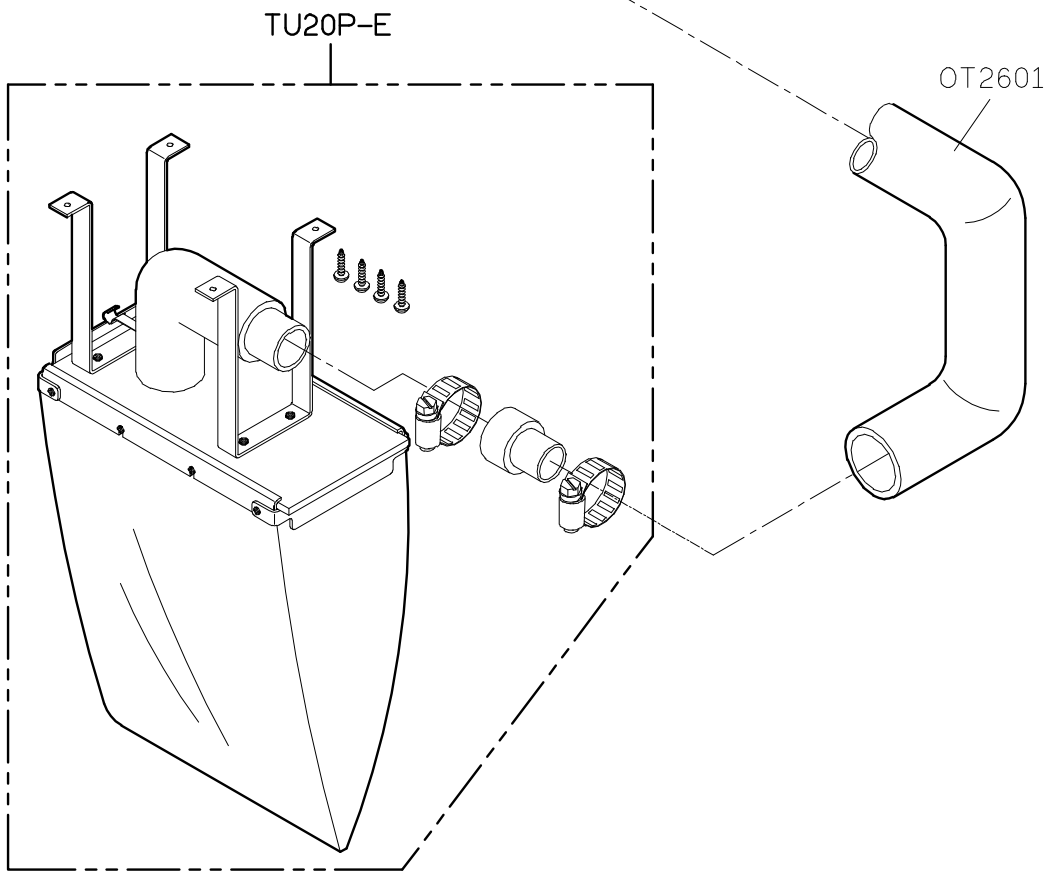
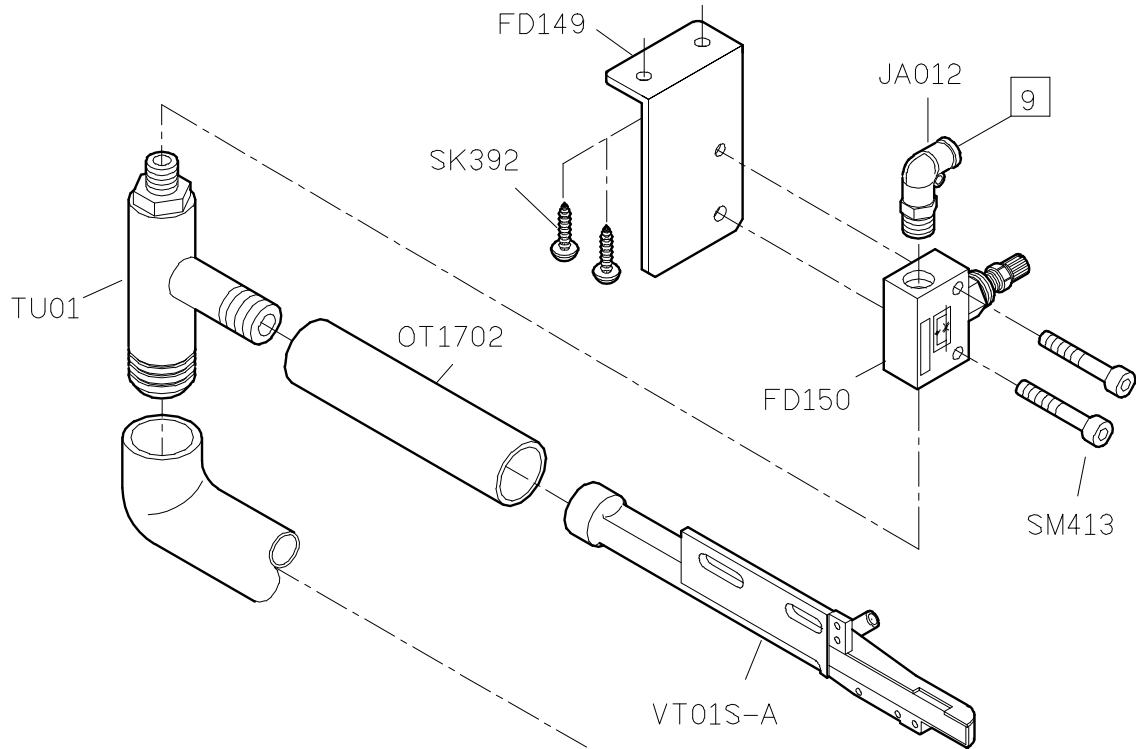
SIRUBA PARTS LIST	Series	Parts Group	Subclass / Remark	Page
	700FS	LF-D1	For Short Wheel UNDER 5/8"	1/7
				Date
				2013/08/10



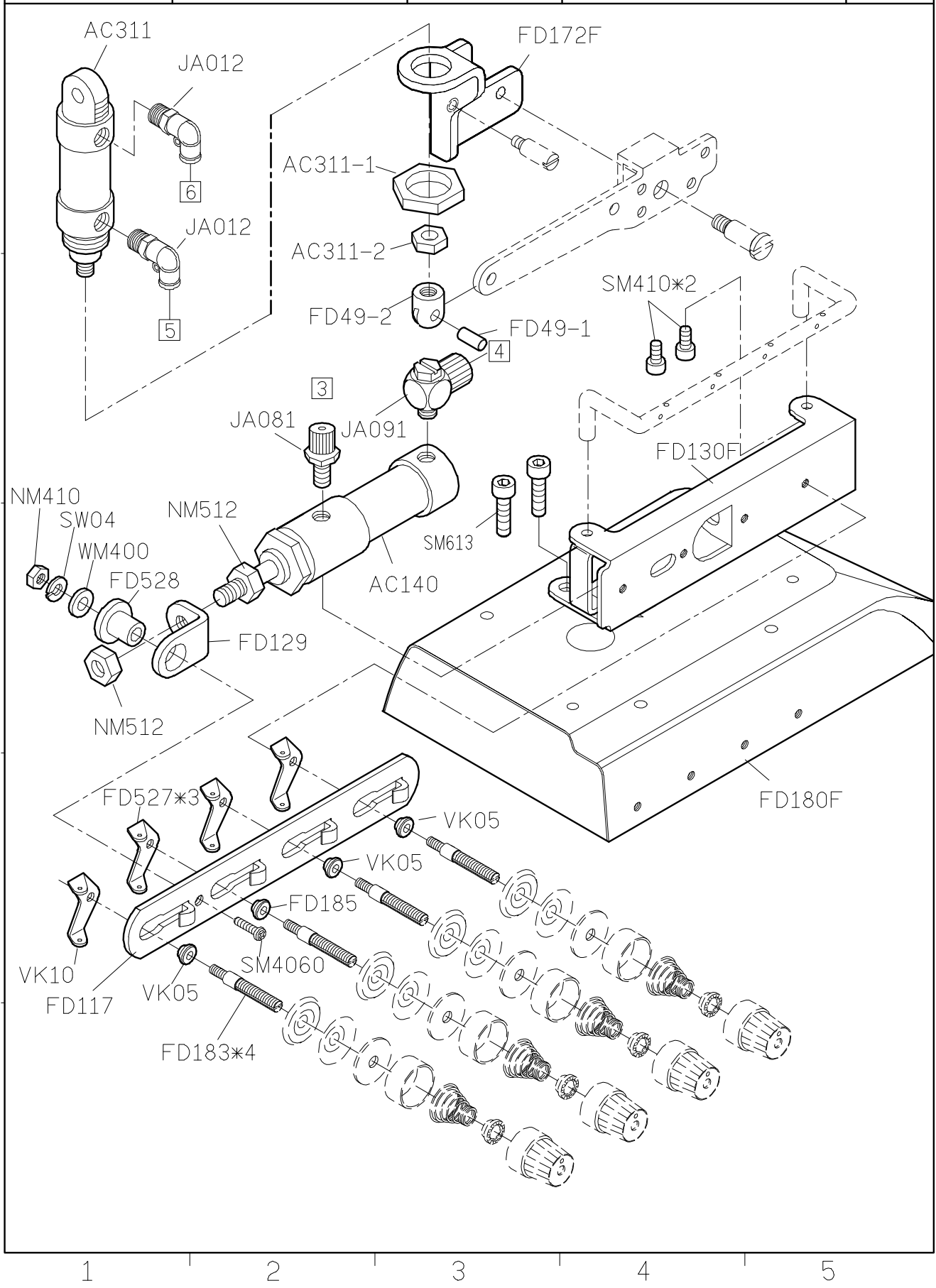
SIRUBA PARTS LIST	Series	Parts Group	Subclass / Remark	Page
	700FS	LF-D1	For Long Wheel 5/8"~2"	2/7
				Date
				2013/08/10



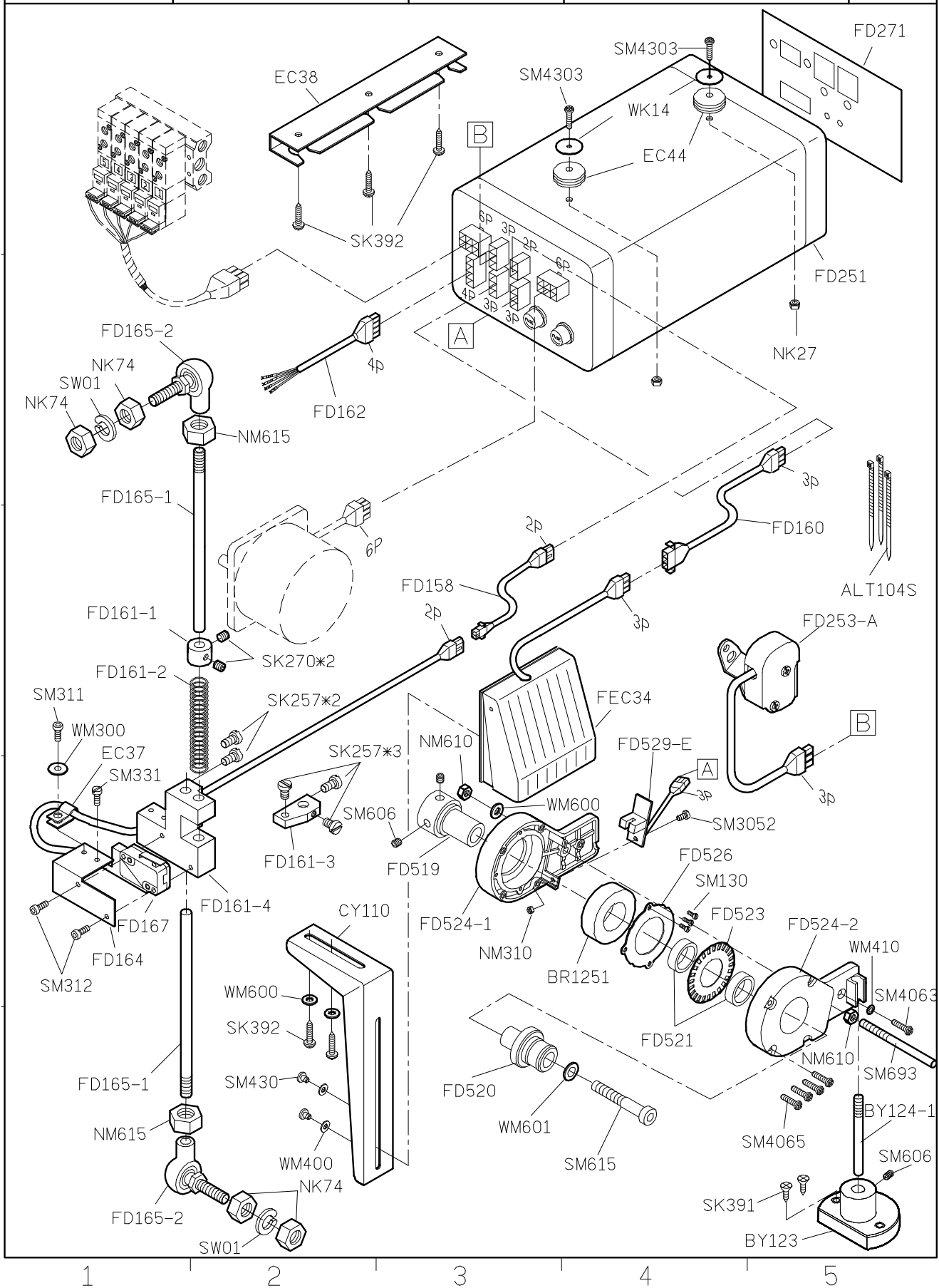
SIRUBA PARTS LIST	Series	Parts Group	Subclass / Remark	Page
	700FS	LF-D1		3/7
				Date
				2013/08/10



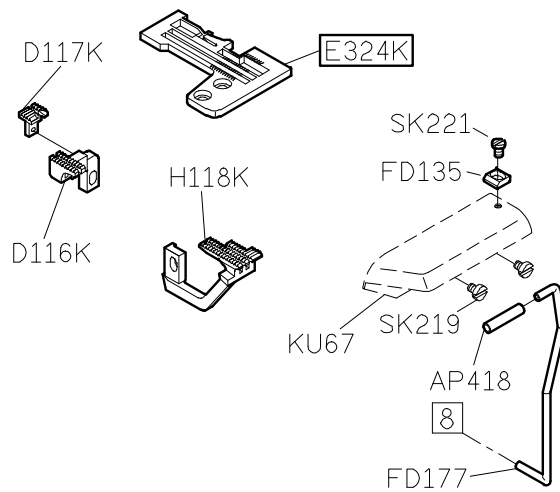
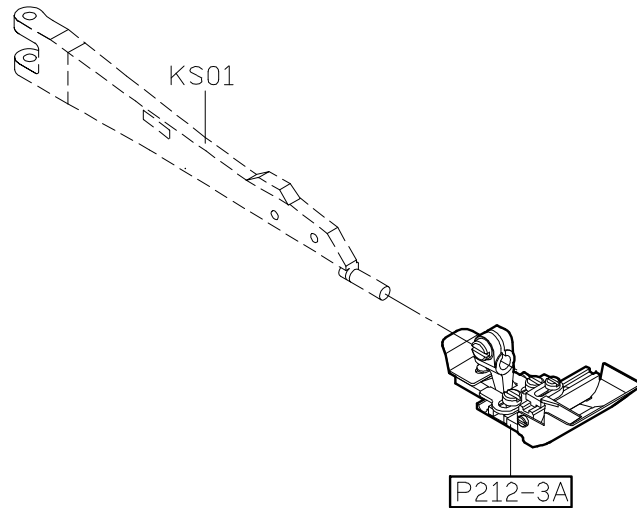
SIRUBA PARTS LIST	Series	Parts Group	Subclass / Remark	Page
	700FS	LF-D1		4/7
				Date
				2013/08/10



SIRUBA PARTS LIST	Series	Parts Group	Subclass / Remark	Page
	700FS	LF-D1		5/7
				Date
				2013/08/10

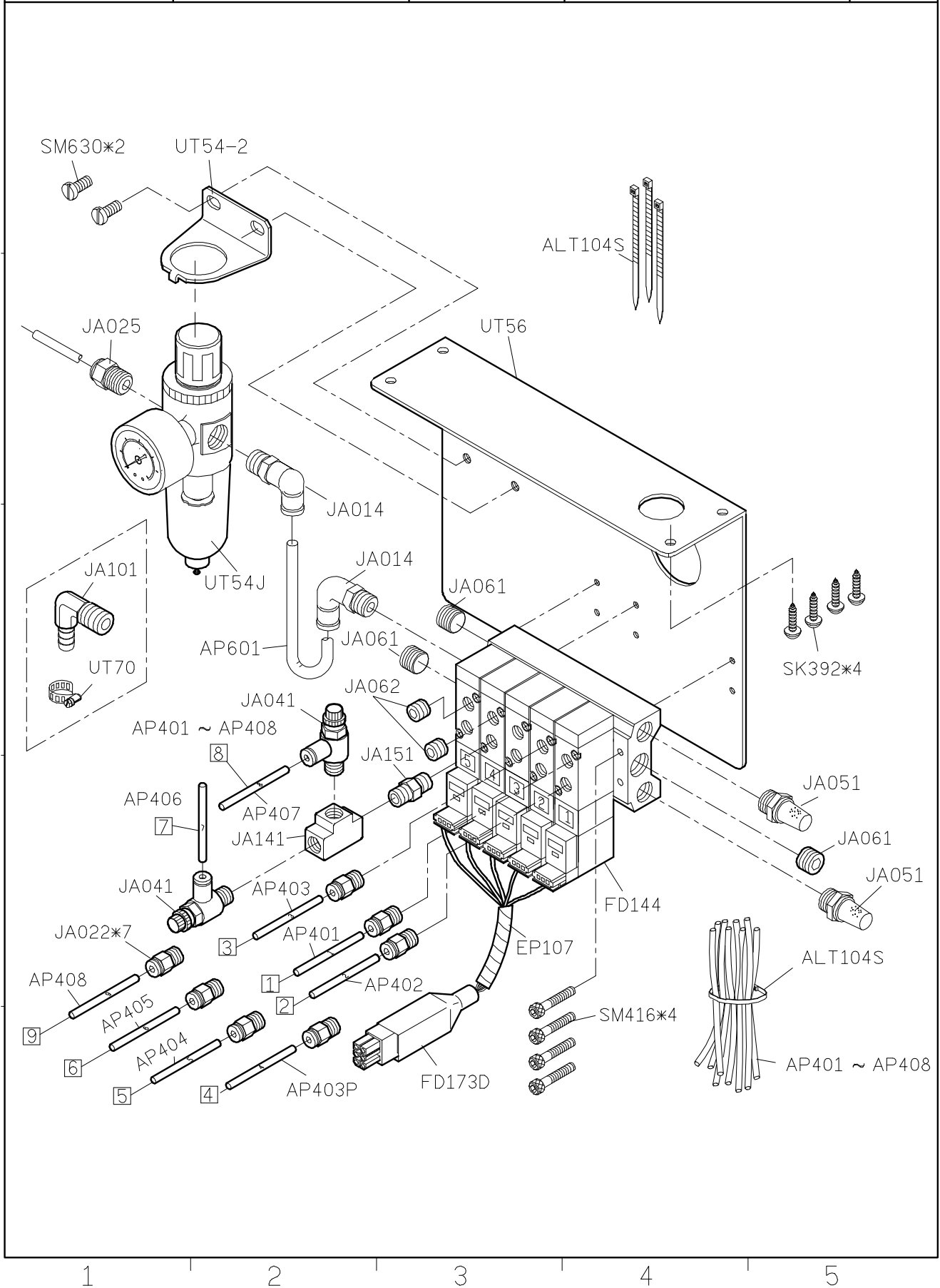


SIRUBA PARTS LIST	Series	Parts Group	Subclass / Remark	Page
	700FS	LF-D1		6/7
				Date 2013/08/10

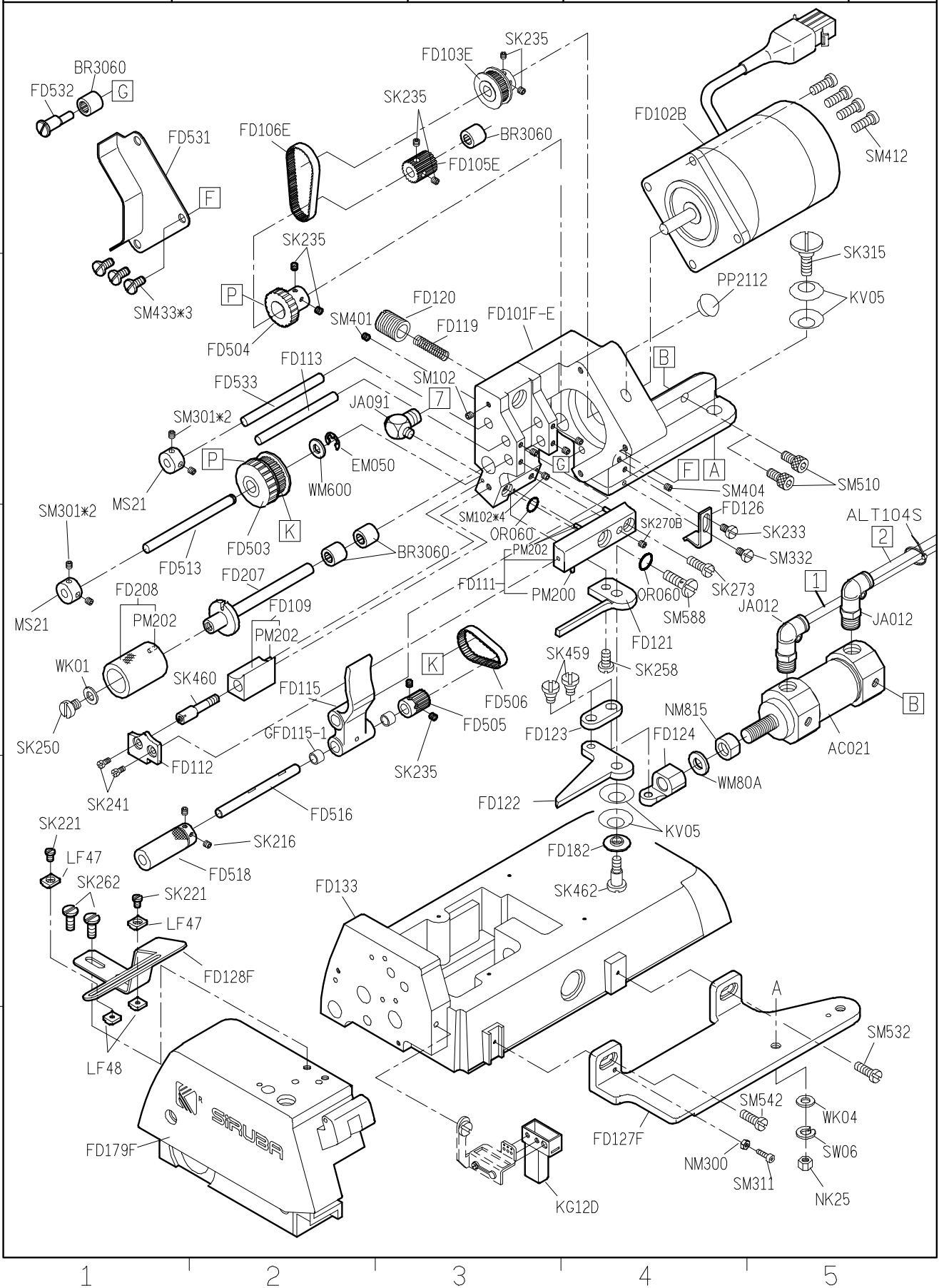


線別種類	針板	押具組	送料具	適用範圍 (鬆緊帶寬)
737	E324K	P212-A	D116K / H118K	1/8"~17/32"
		P212-3A	D116K / H118K	3/8"~57/64"
		P212-5A	D116K / H118K	3/4"~2 9/32"
747	E434K	P212-2A	D116K / H118K	1/8"~17/32"
		P212-4A	D116K / H118K	3/8"~57/64"
		P212-6A	D116K / H118K	3/4"~2 9/32"

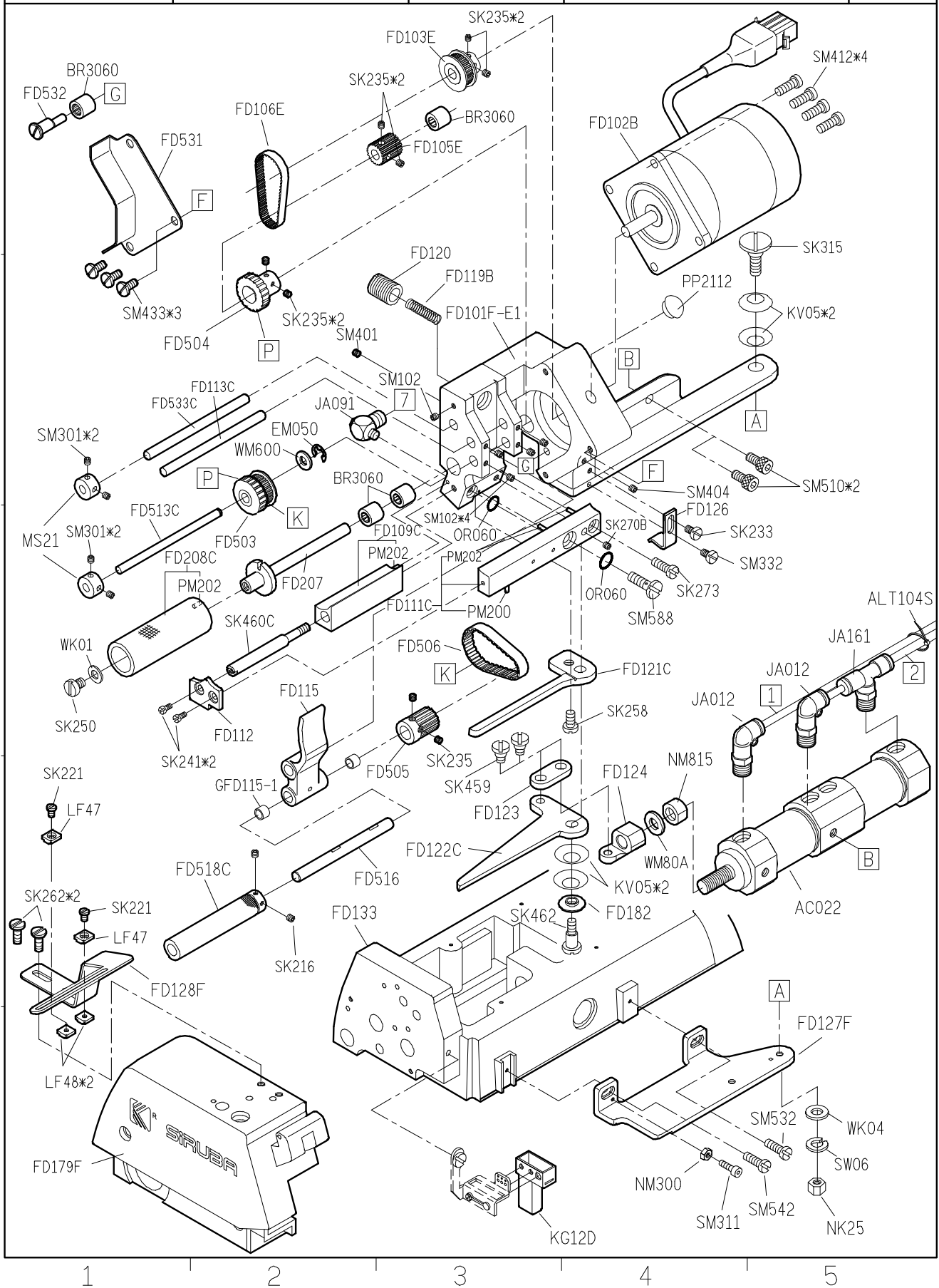
SIRUBA PARTS LIST	Series	Parts Group	Subclass / Remark	Page
	700FS	LF-D1		7/7
				Date
				2013/08/10



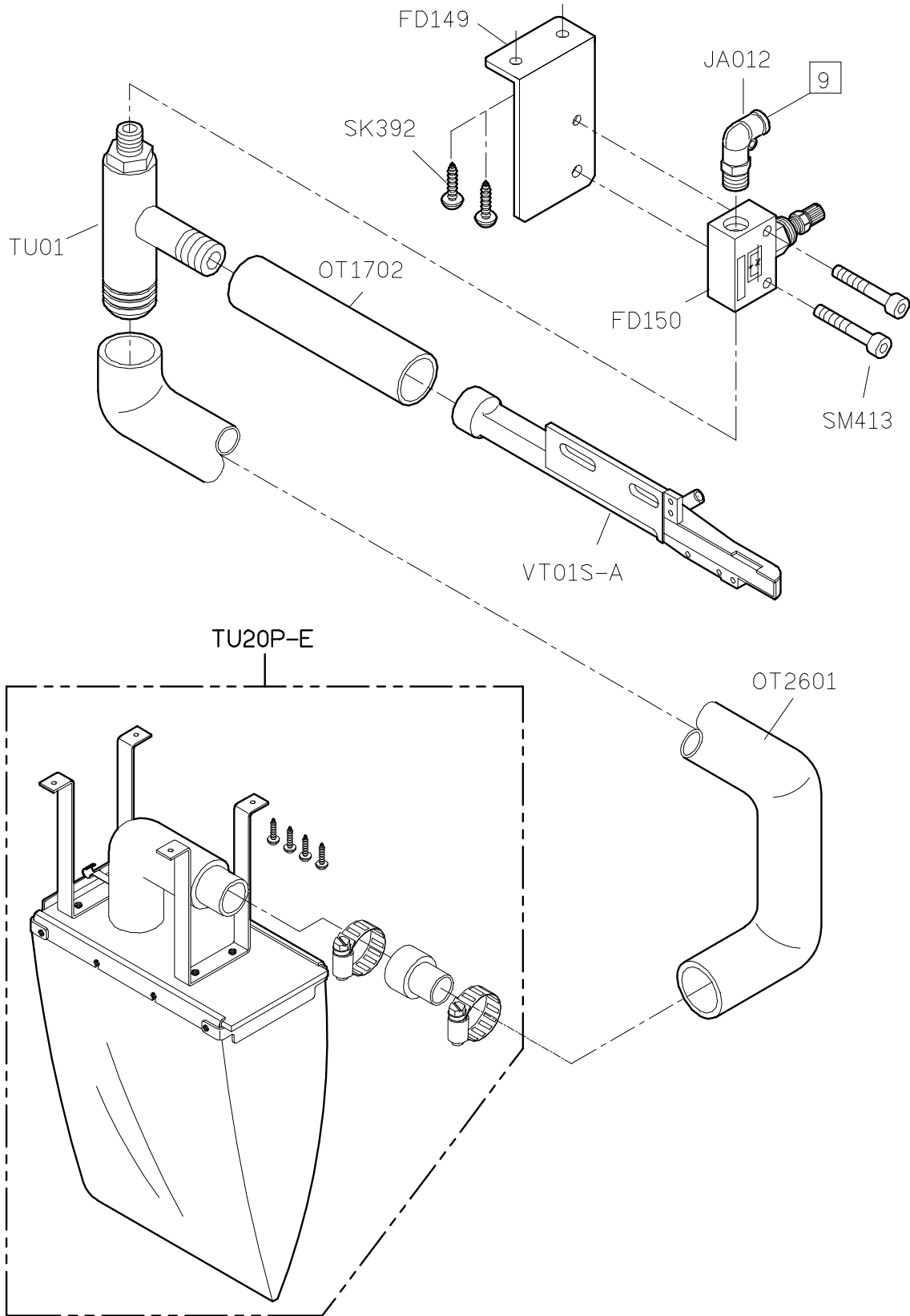
SIRUBA PARTS LIST	Series	Parts Group	Subclass / Remark	Page
	700FS	LF-D2	For Short Wheel UNDER 5/8"	1/8
				Date 2013/08/10



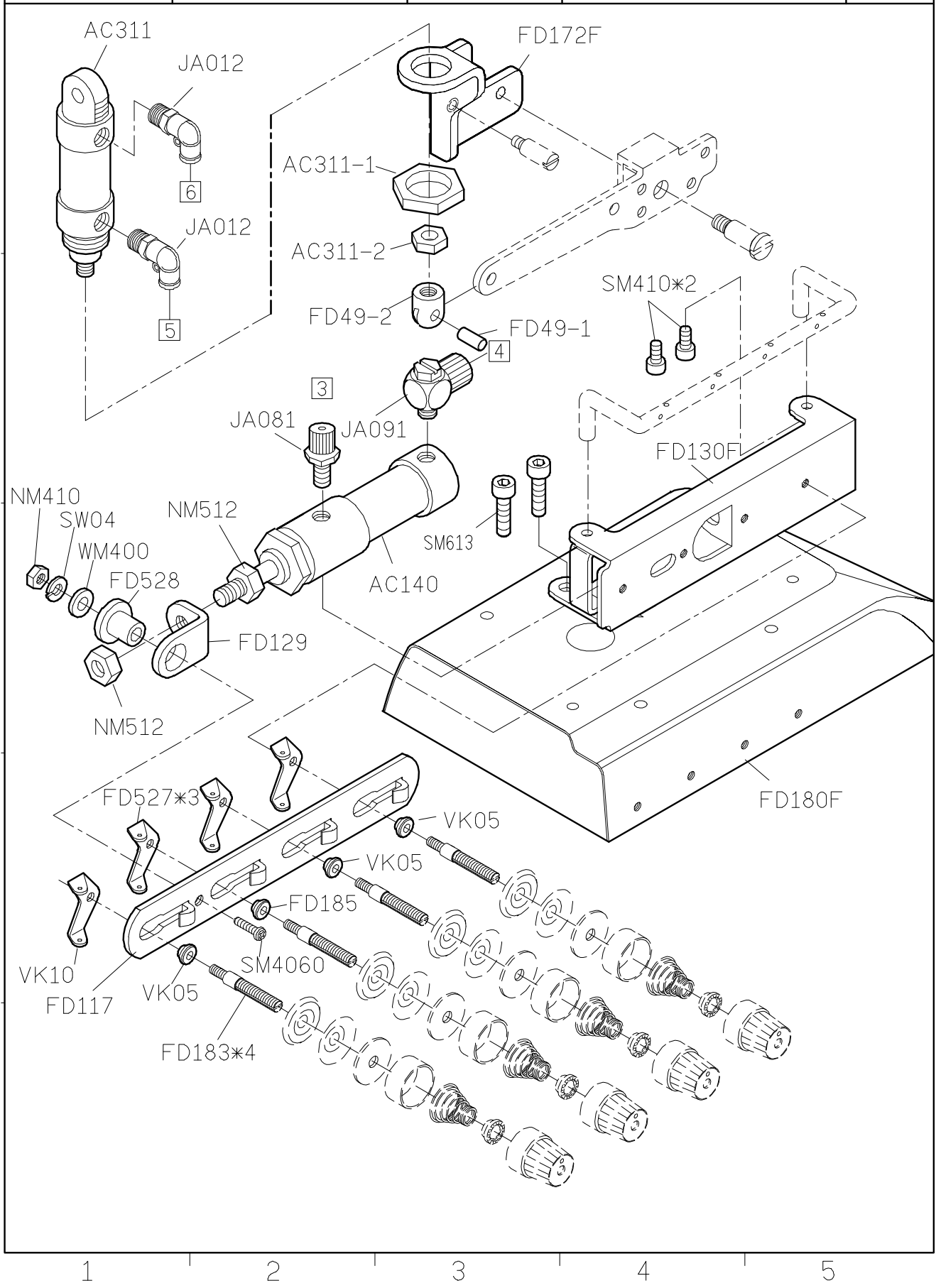
SIRUBA PARTS LIST	Series 700FS	Parts Group LF-D2	Subclass / Remark For Long Wheel 5/8"~2"	Page 2/8
				Date 2013/08/10

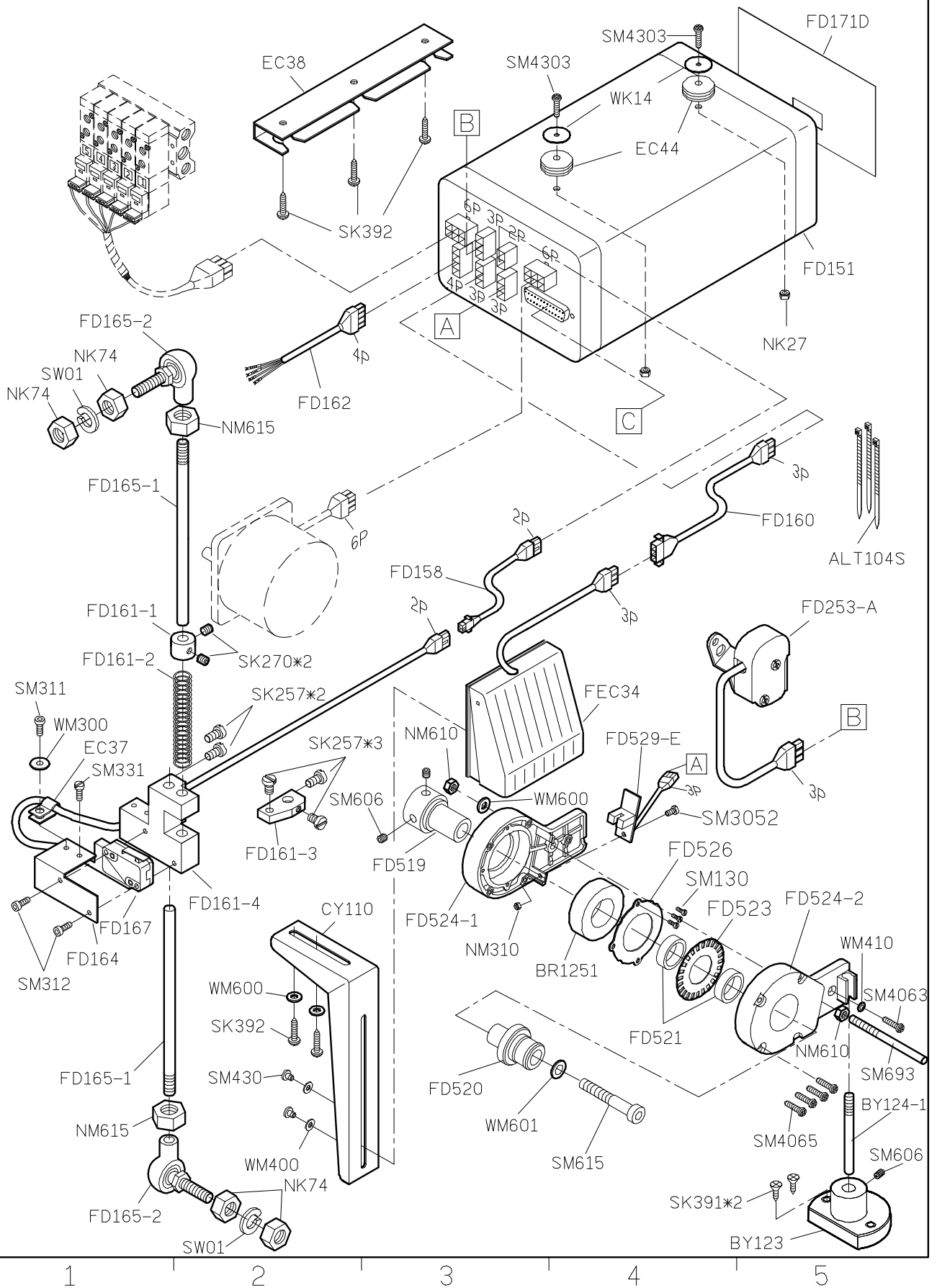


SIRUBA PARTS LIST	Series	Parts Group	Subclass / Remark	Page
	700FS	LF-D2		3/8
				Date
				2013/08/10

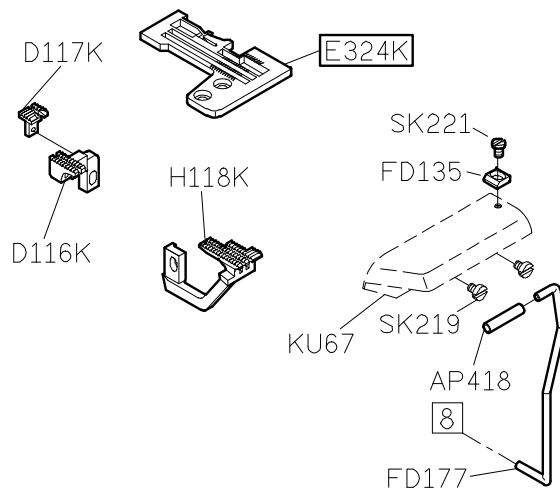
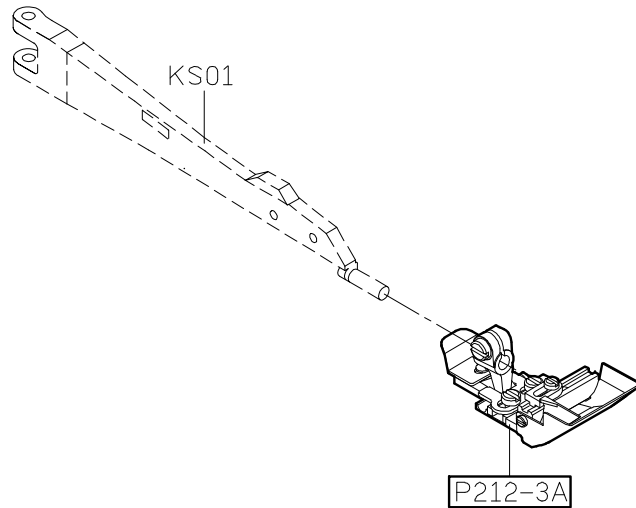


SIRUBA PARTS LIST	Series	Parts Group	Subclass / Remark	Page
	700FS	LF-D2		4/8
				Date
				2013/08/10





SIRUBA PARTS LIST	Series	Parts Group	Subclass / Remark	Page
	700FS	LF-D2		6/8
				Date 2013/08/10



線別種類	針板	押具組	送料具	適用範圍 (鬆緊帶寬)
737	E324K	P212-A	D116K / D117K / H118K	1/8"~17/32"
		P212-3A	D116K / D117K / H118K	3/8"~57/64"
		P212-5A	D116K / D117K / H118K	3/4"~2 9/32"
747	E434K	P212-2A	D116K / D117K / H118K	1/8"~17/32"
		P212-4A	D116K / D117K / H118K	3/8"~57/64"
		P212-6A	D116K / D117K / H118K	3/4"~2 9/32"

1

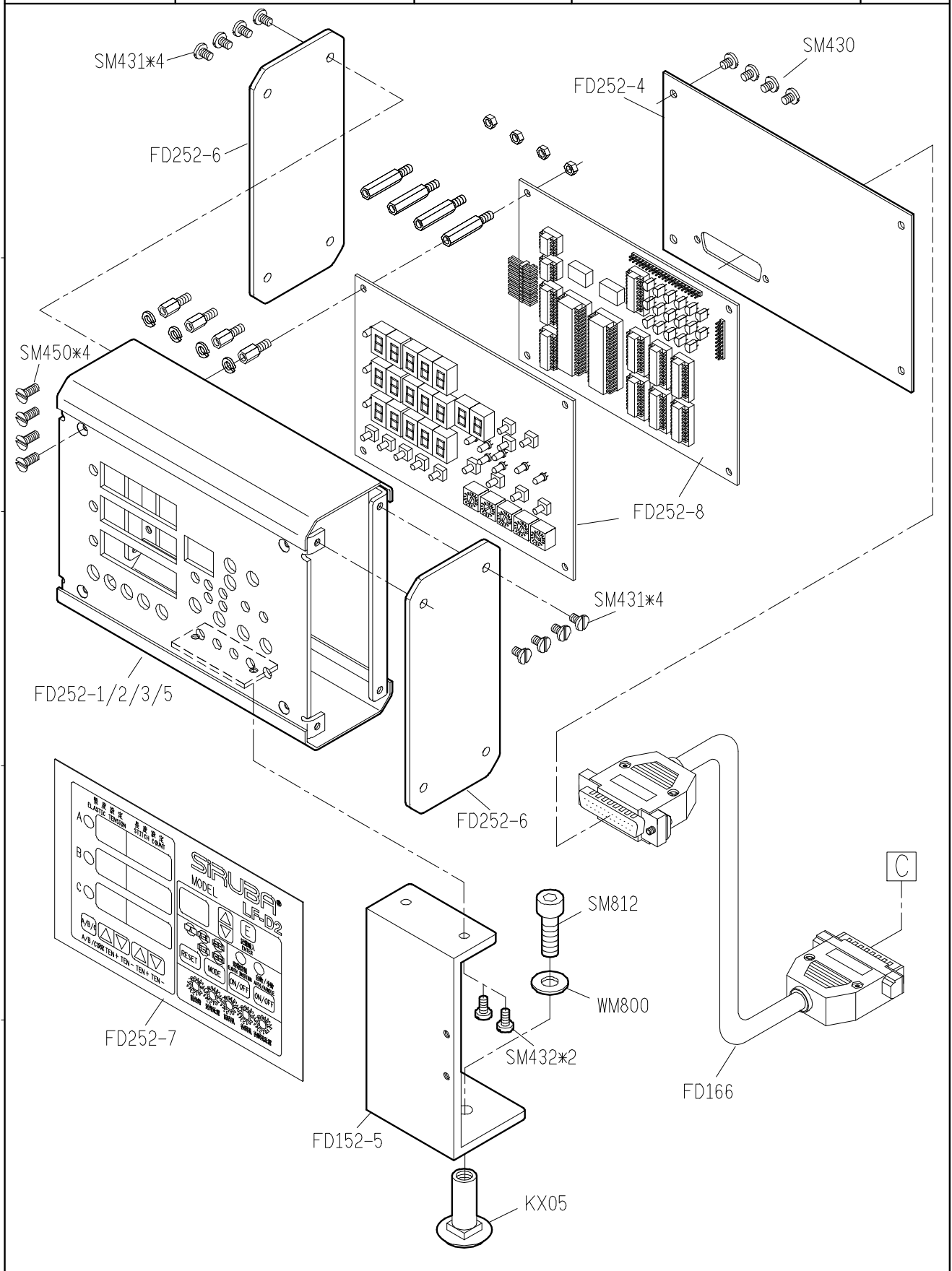
2

3

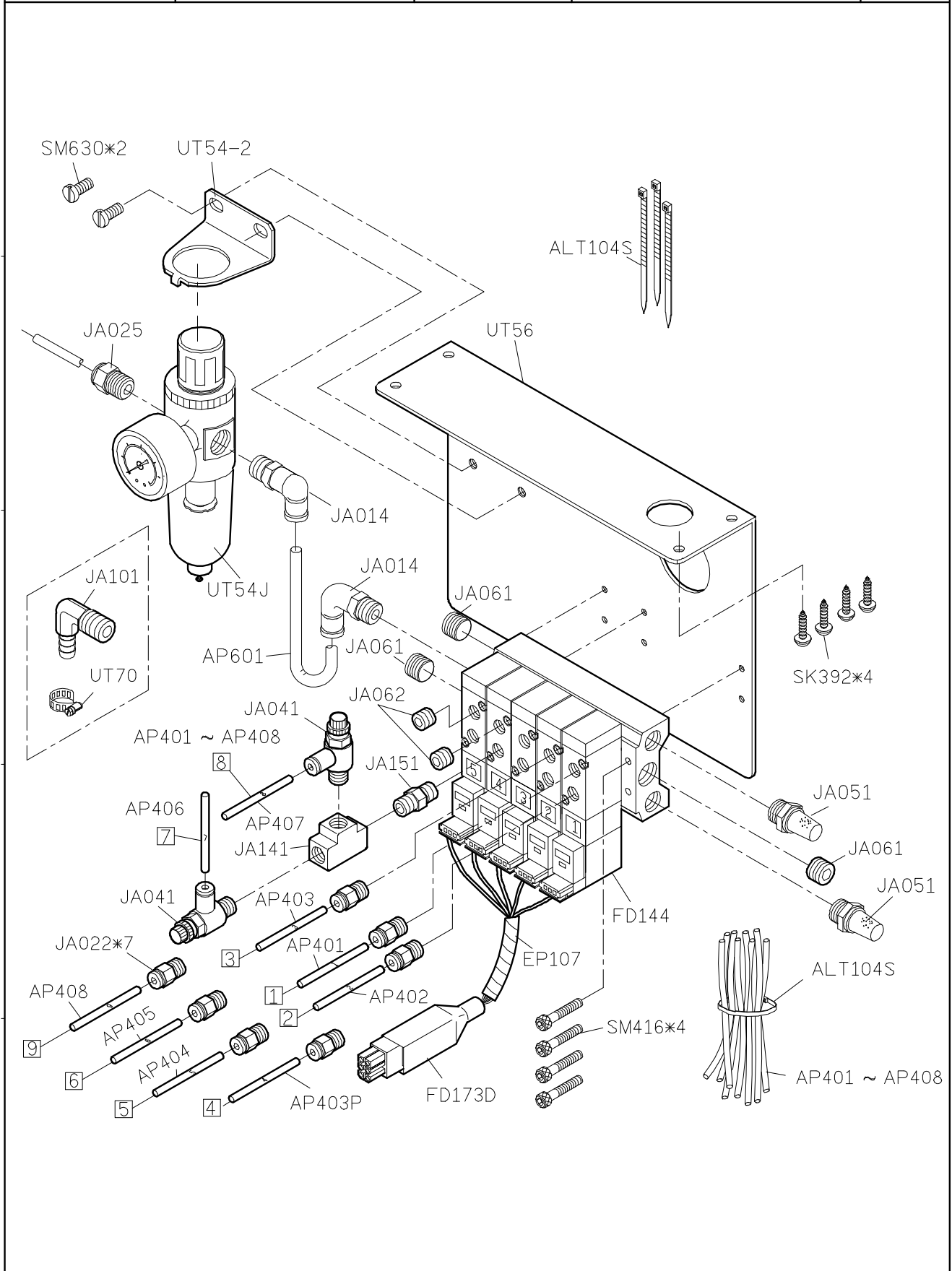
4

5

SIRUBA PARTS LIST	Series	Parts Group	Subclass / Remark	Page
	700FS	LF-D2		7/8
				Date
				2013/08/10

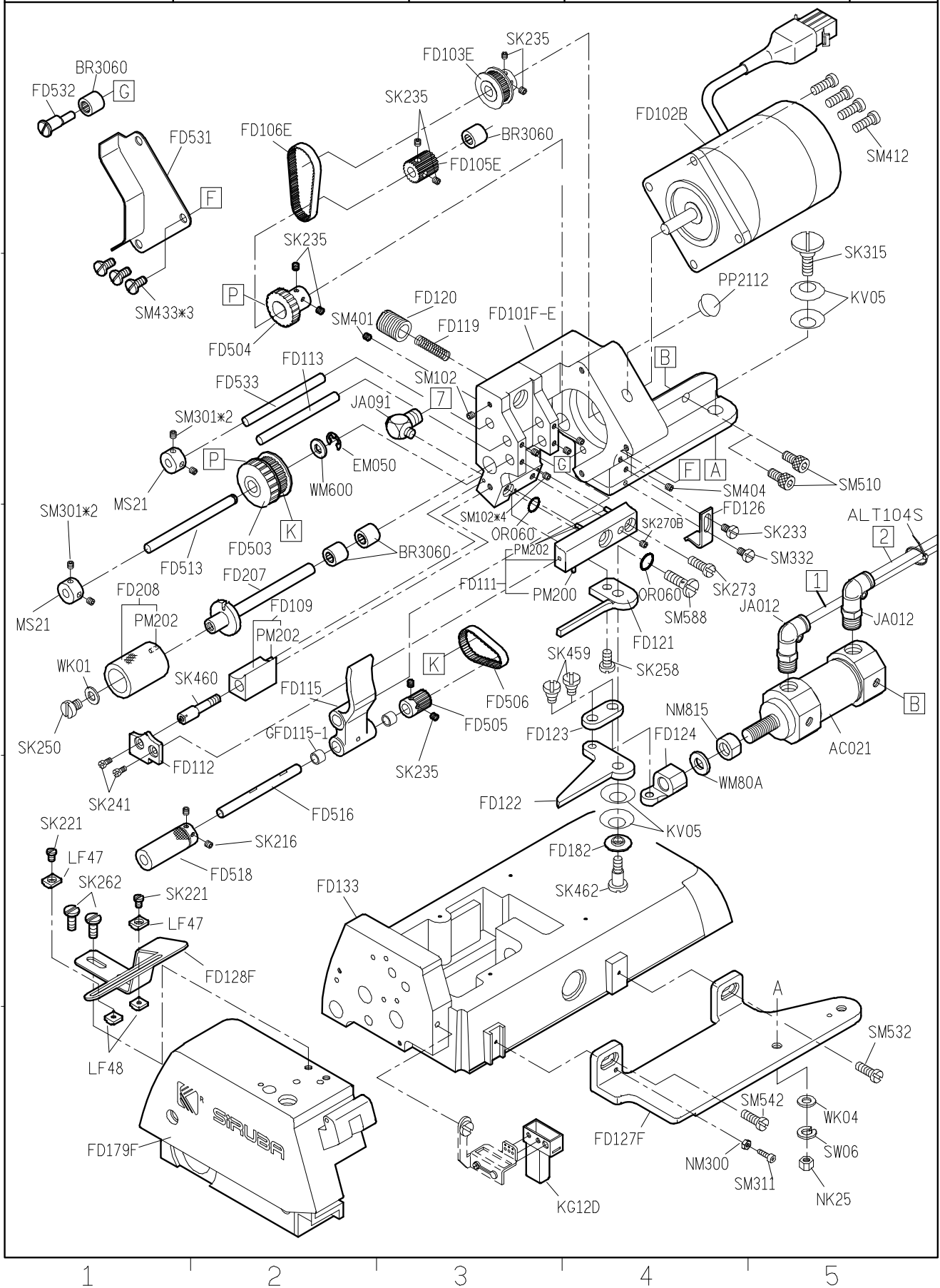


SIRUBA PARTS LIST	Series	Parts Group	Subclass / Remark	Page
	700FS	LF-D2		8/8
				Date
				2013/08/10

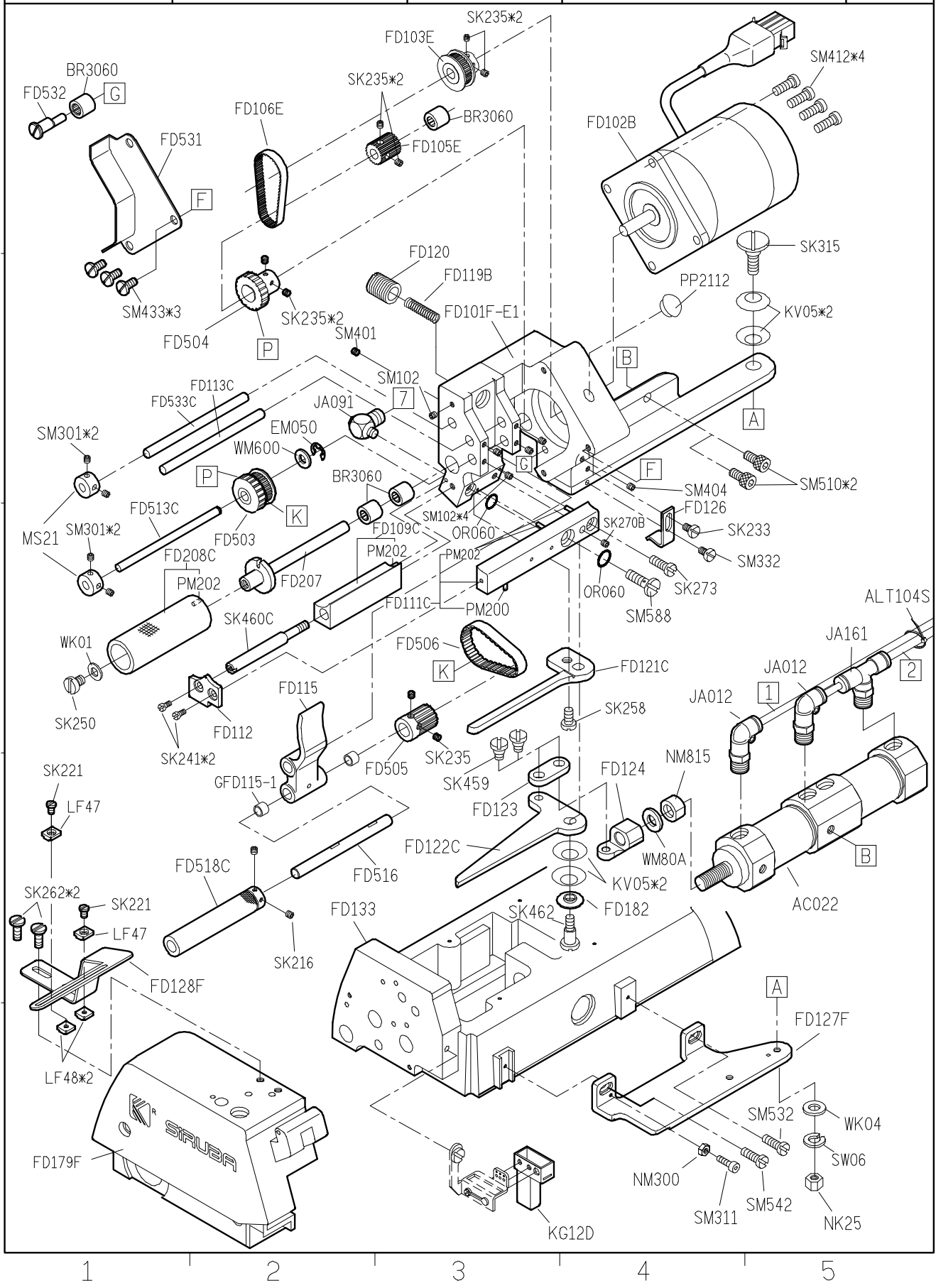


- 1
- 2
- 3
- 4
- 5

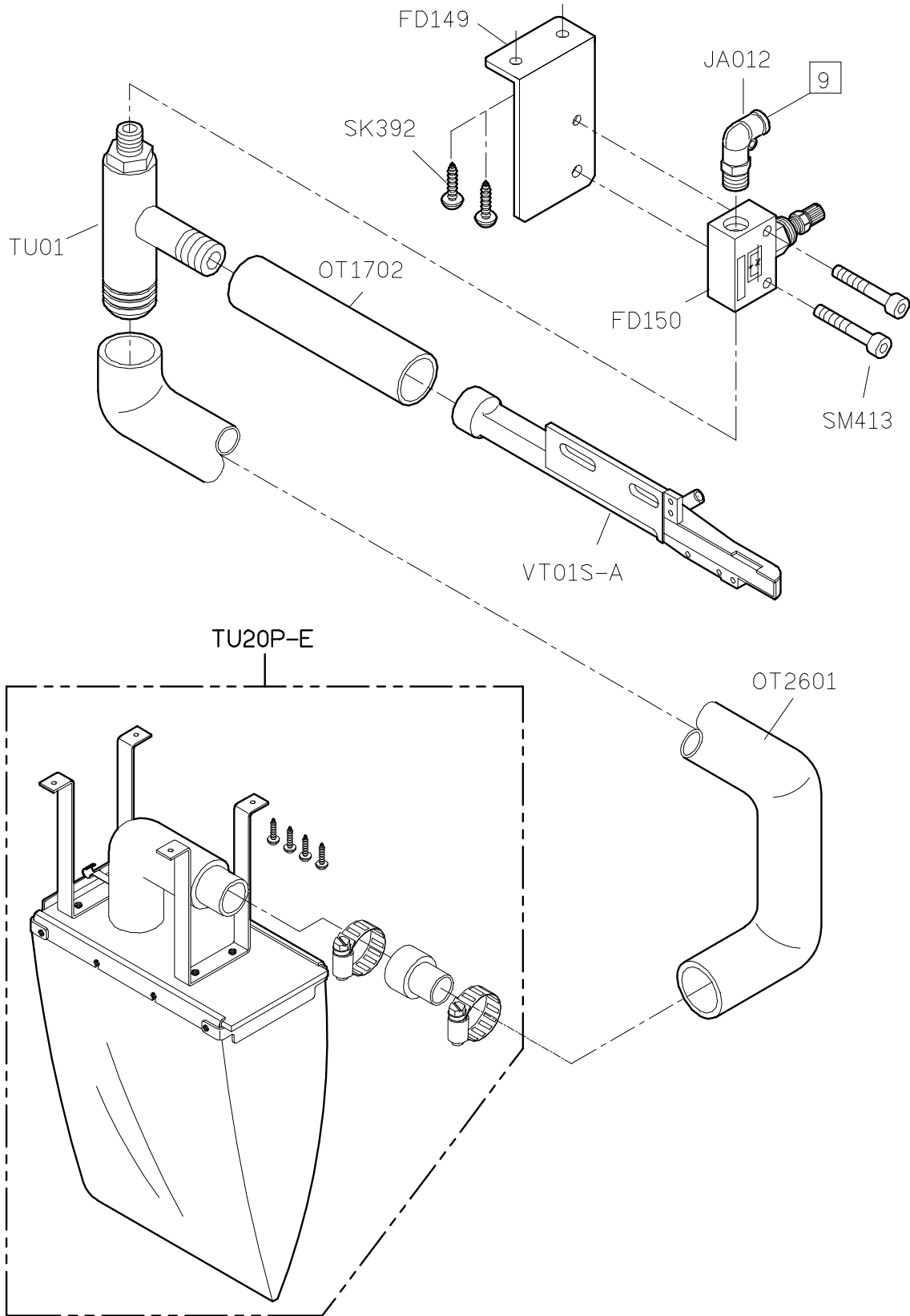
SIRUBA PARTS LIST	Series	Parts Group	Subclass / Remark	Page
	700FS	LF-D3	For Short Wheel UNDER 5/8"	1/8
				Date
				2013/08/10



SIRUBA PARTS LIST	Series 700FS	Parts Group LF-D3	Subclass / Remark For Long Wheel 5/8"~2"	Page 2/8
				Date 2013/08/10



SIRUBA PARTS LIST	Series	Parts Group	Subclass / Remark	Page
	700FS	LF-D3		3/8
				Date
				2013/08/10



1

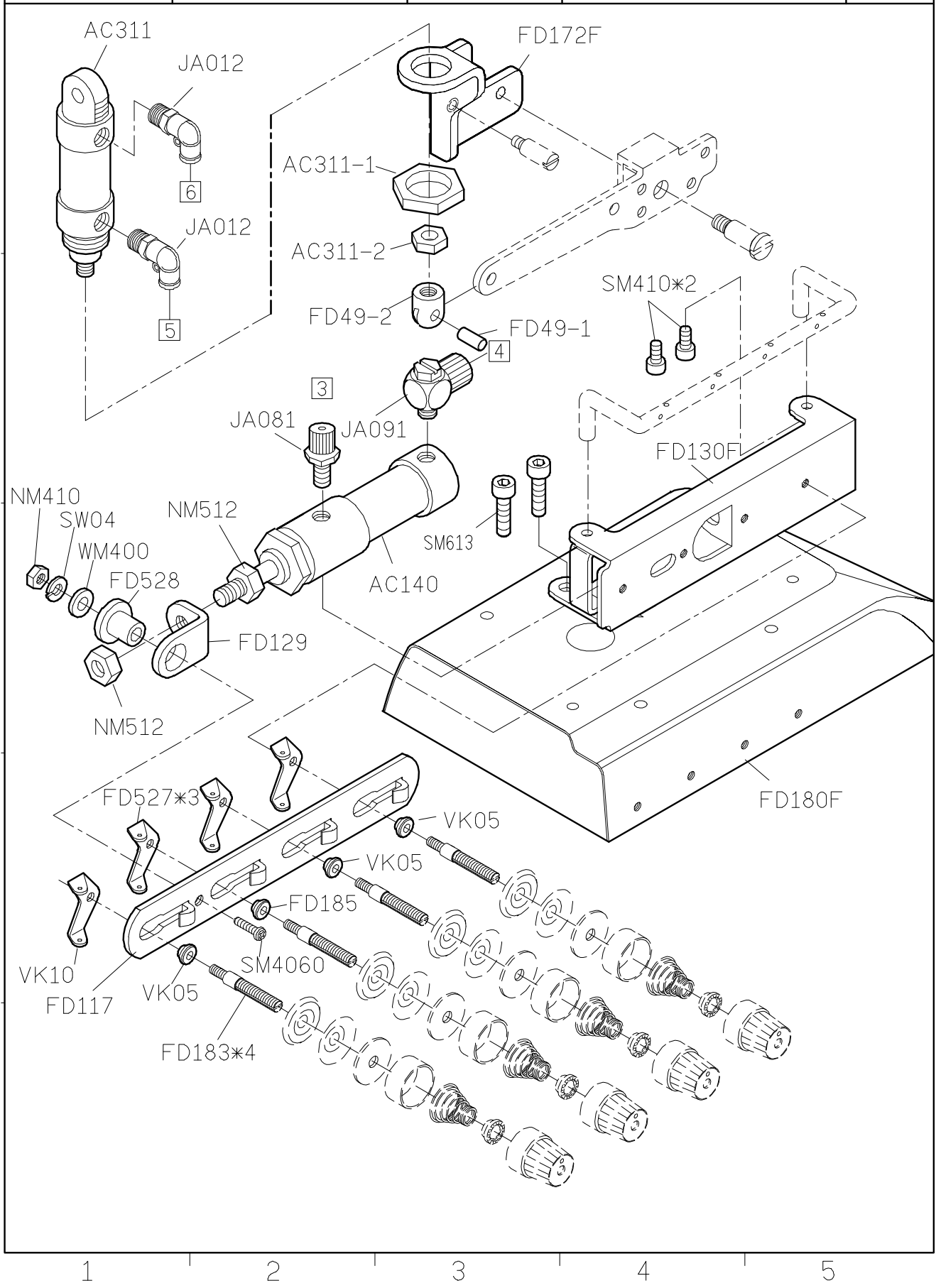
2

3

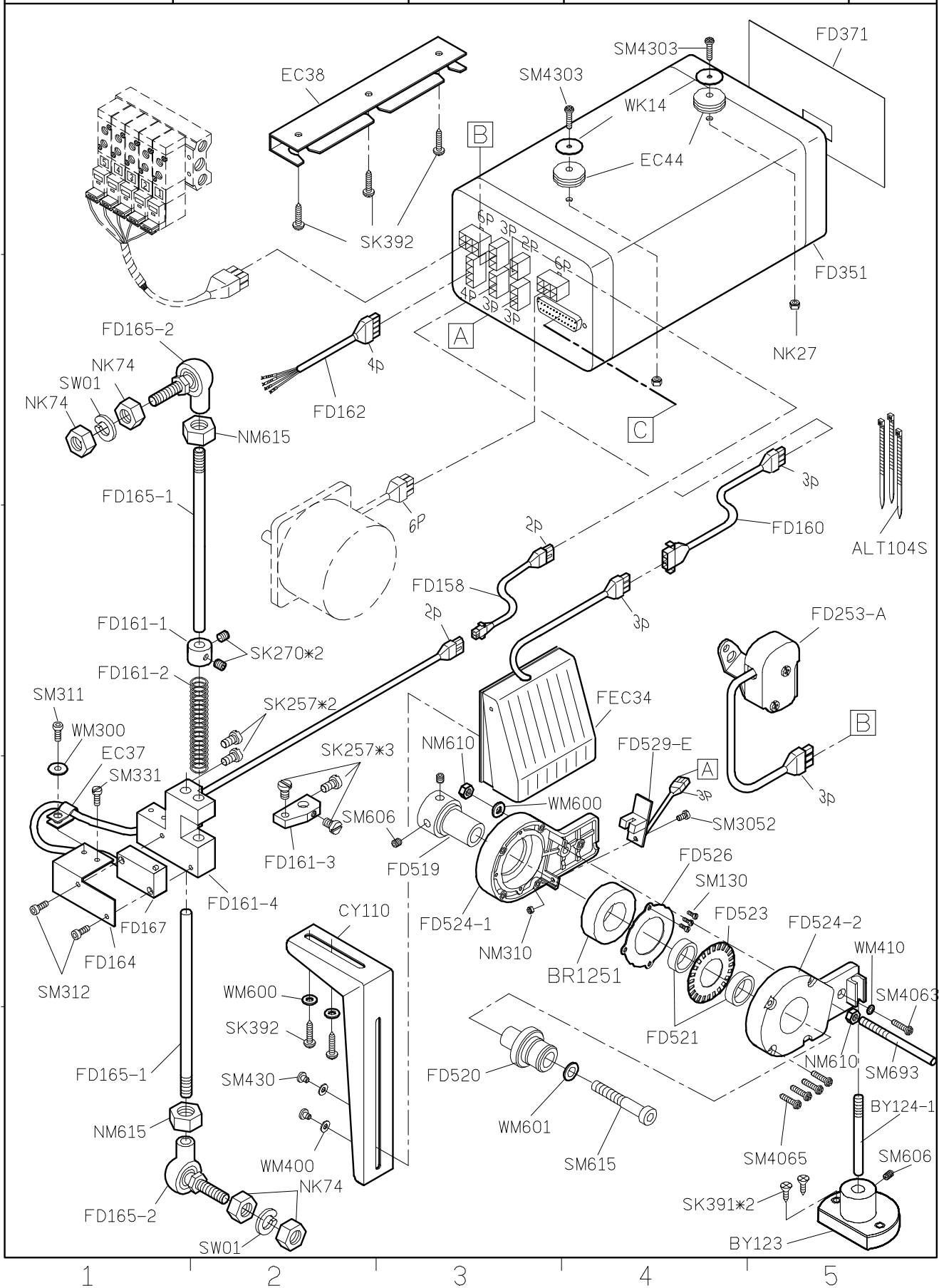
4

5

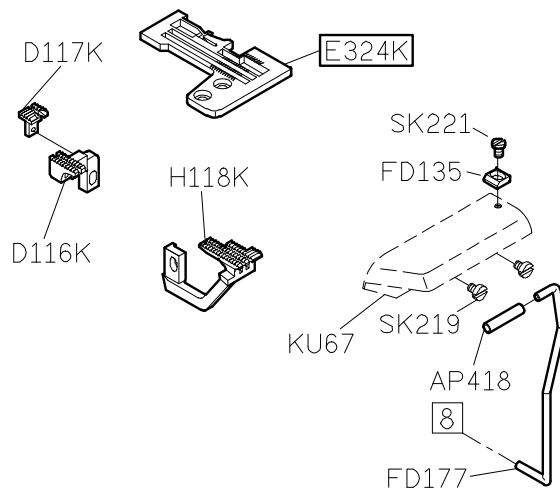
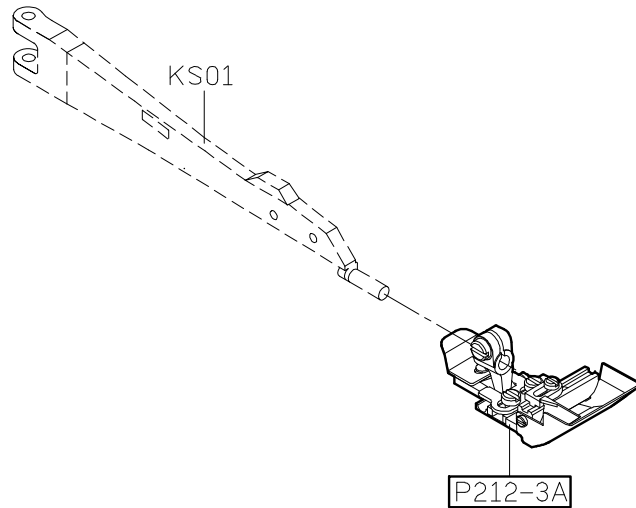
SIRUBA PARTS LIST	Series	Parts Group	Subclass / Remark	Page
	700FS	LF-D3		4/8
				Date
				2013/08/10



SIRUBA PARTS LIST	Series	Parts Group	Subclass / Remark	Page
	700FS	LF-D3		5/8
				Date
				2013/08/10



SIRUBA PARTS LIST	Series	Parts Group	Subclass / Remark	Page
	700FS	LF-D3		6/8
				Date
				2013/08/10



線別種類	針板	押具組	送料具	適用範圍 (鬆緊帶寬)
737	E324K	P212-A	D116K / H118K D117K	1/8"~17/32"
		P212-3A	D116K / H118K D117K	3/8"~57/64"
		P212-5A	D116K / H118K D117K	3/4"~2 9/32"
747	E434K	P212-2A	D116K / H118K D117K	1/8"~17/32"
		P212-4A	D116K / H118K D117K	3/8"~57/64"
		P212-6A	D116K / H118K D117K	3/4"~2 9/32"

1

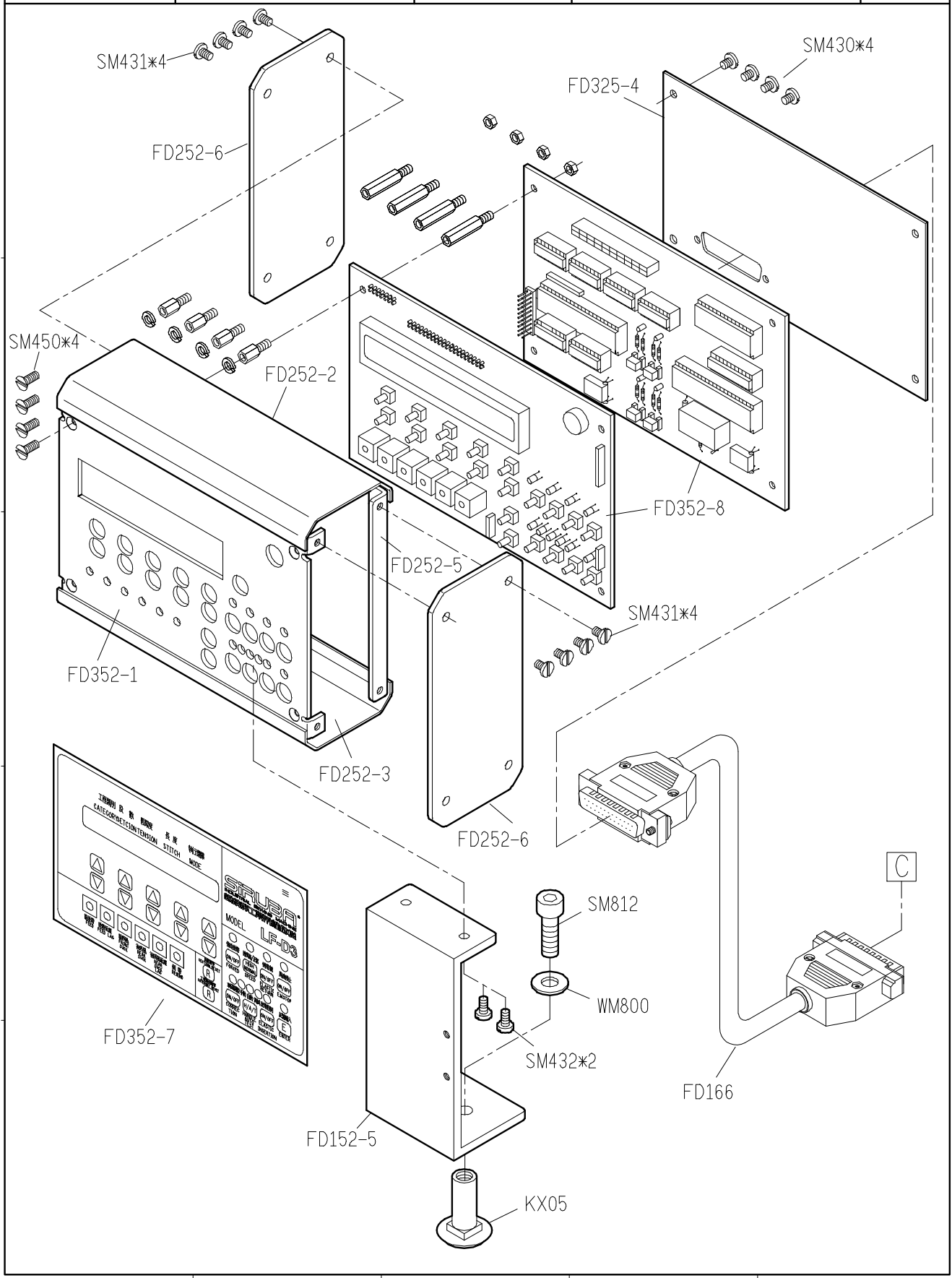
2

3

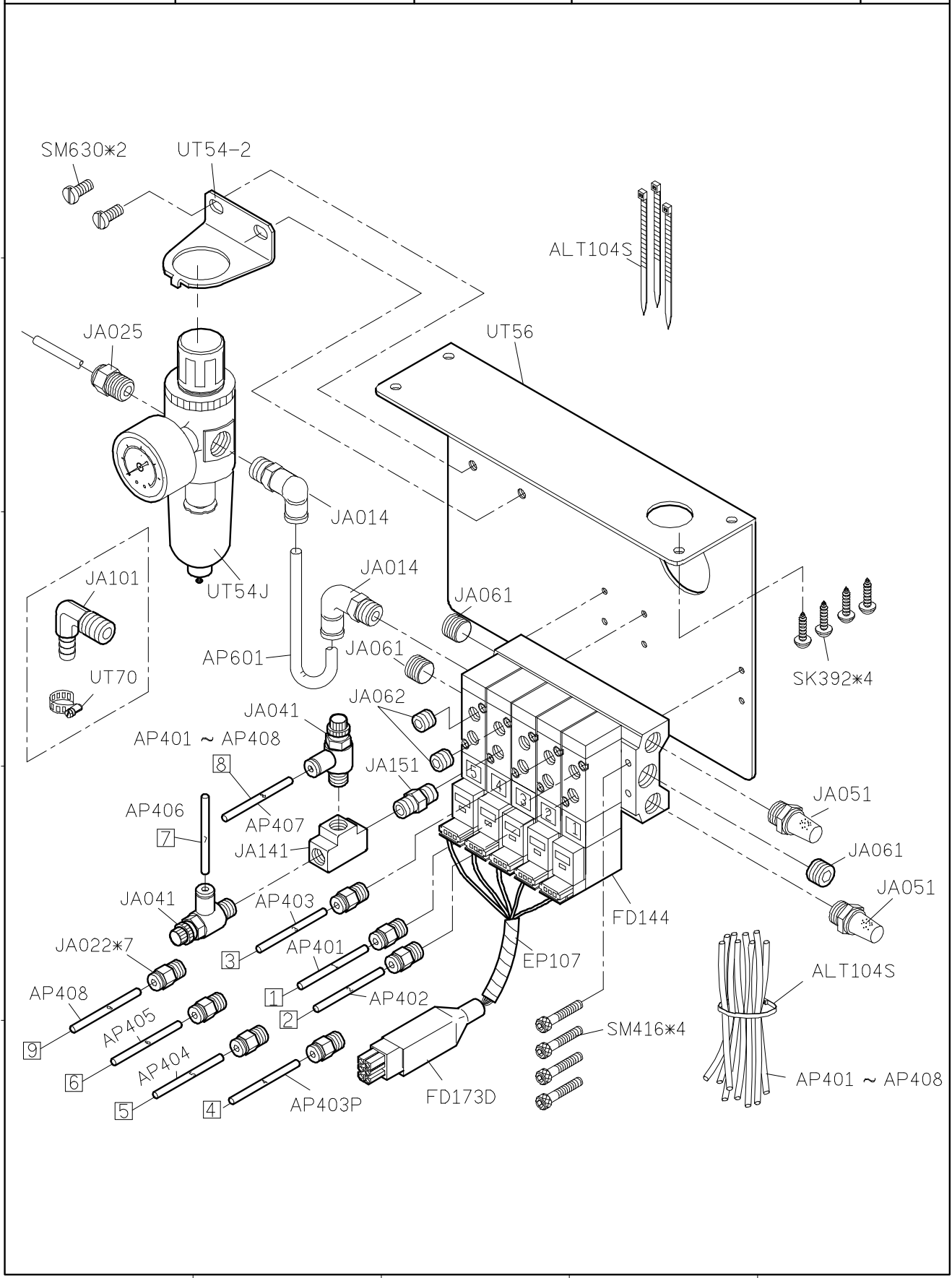
4

5

SIRUBA PARTS LIST	Series	Parts Group	Subclass / Remark	Page
	700FS	LF-D3		7/8
				Date
				2013/08/10



SIRUBA PARTS LIST	Series	Parts Group	Subclass / Remark	Page
	700FS	LF-D3		8/8
				Date
				2013/08/10



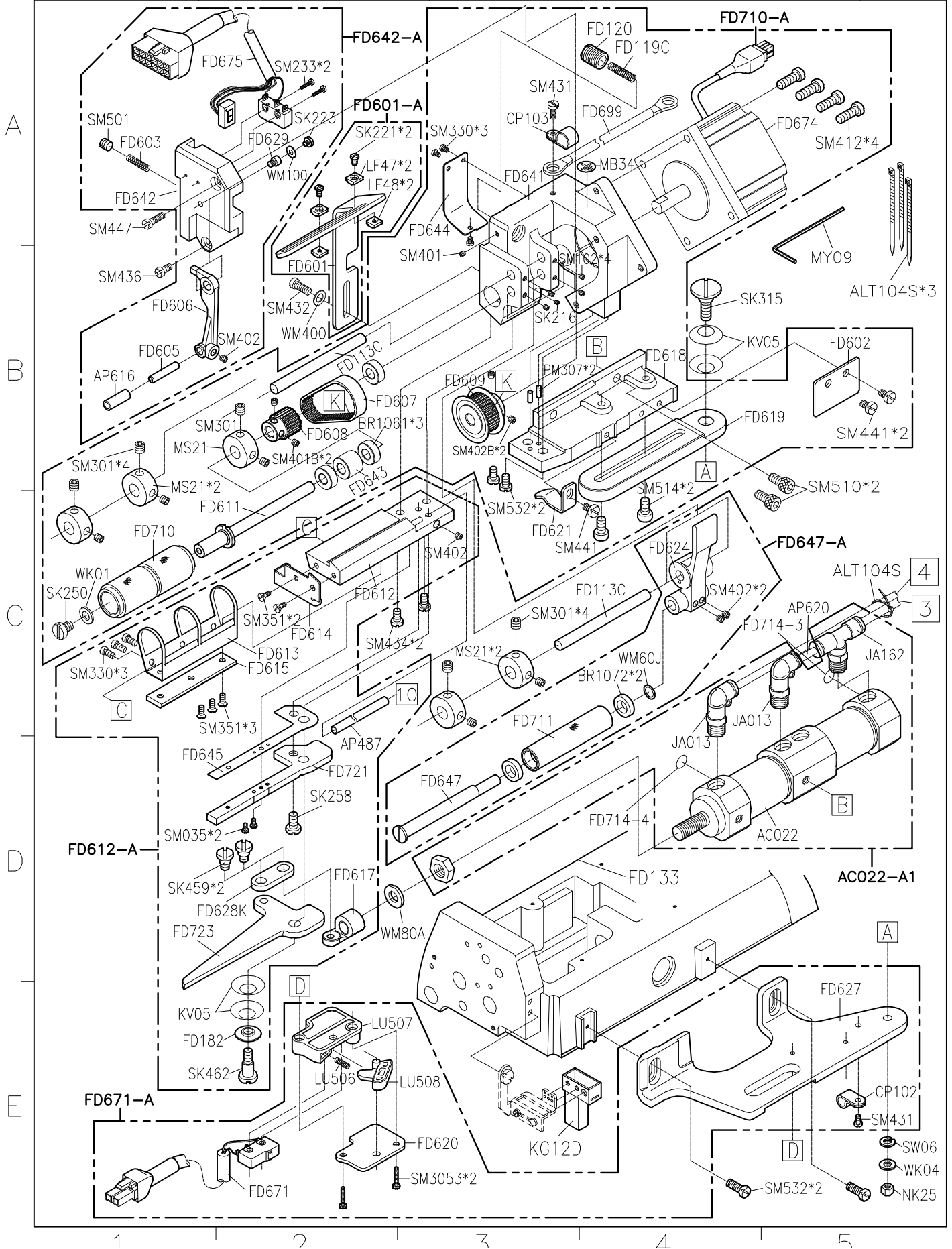
SIRUBA
PARTS LIST

Series
700FS

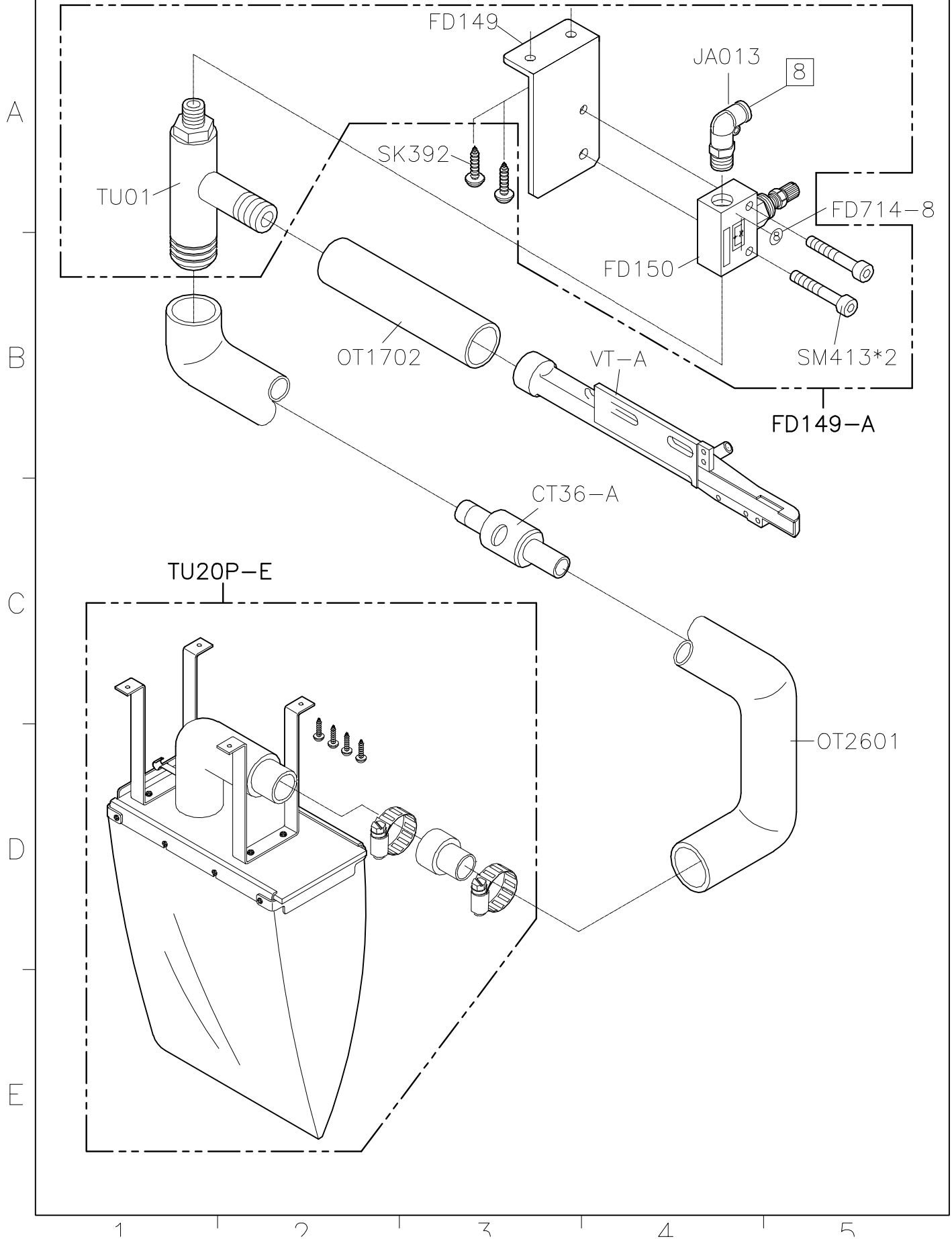
Parts Group
LF-D6/A

Subclass / Remark
For Long Wheel Cut Limit 40mm

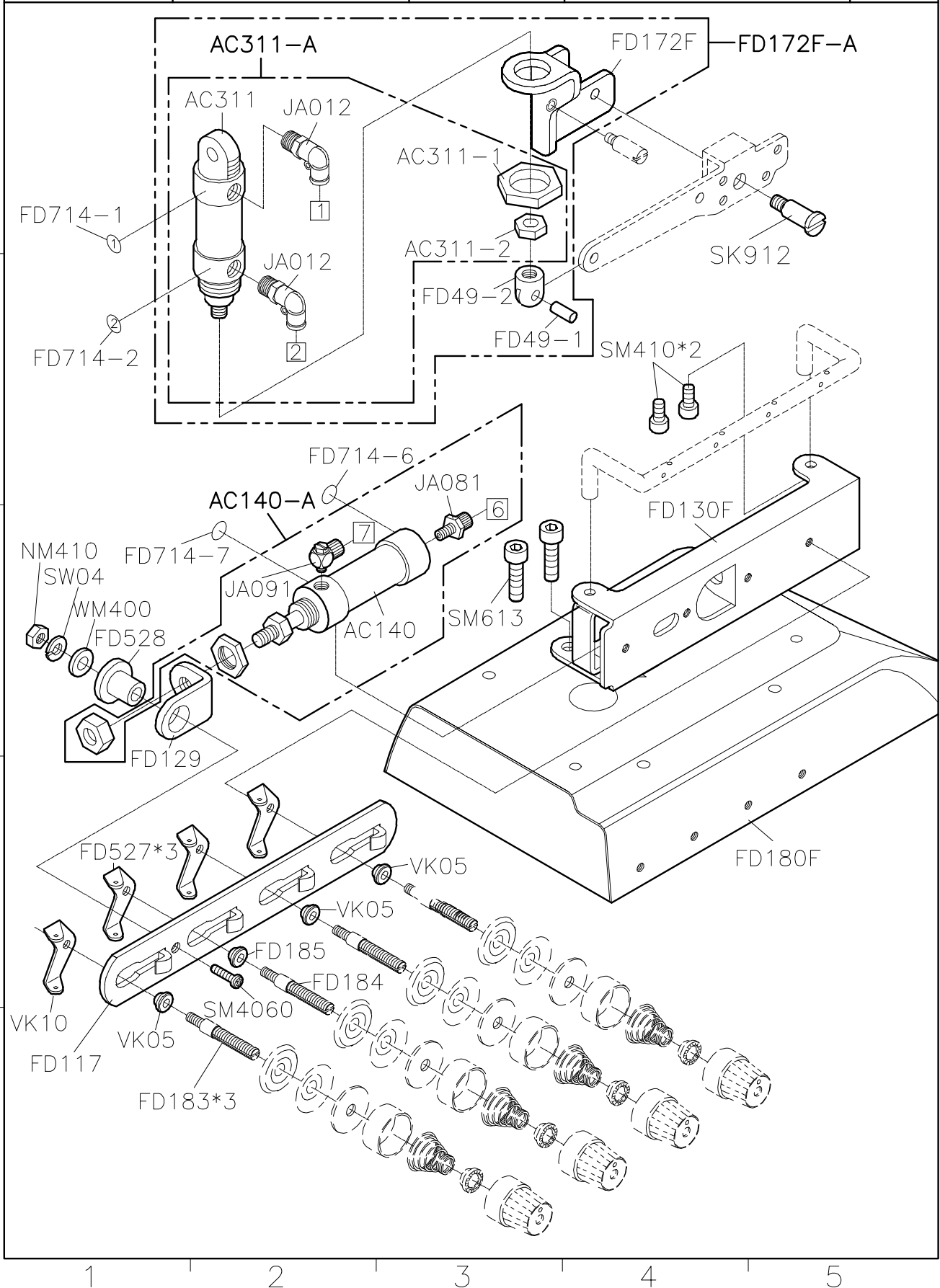
Page
2/11
Date
2014/09/10



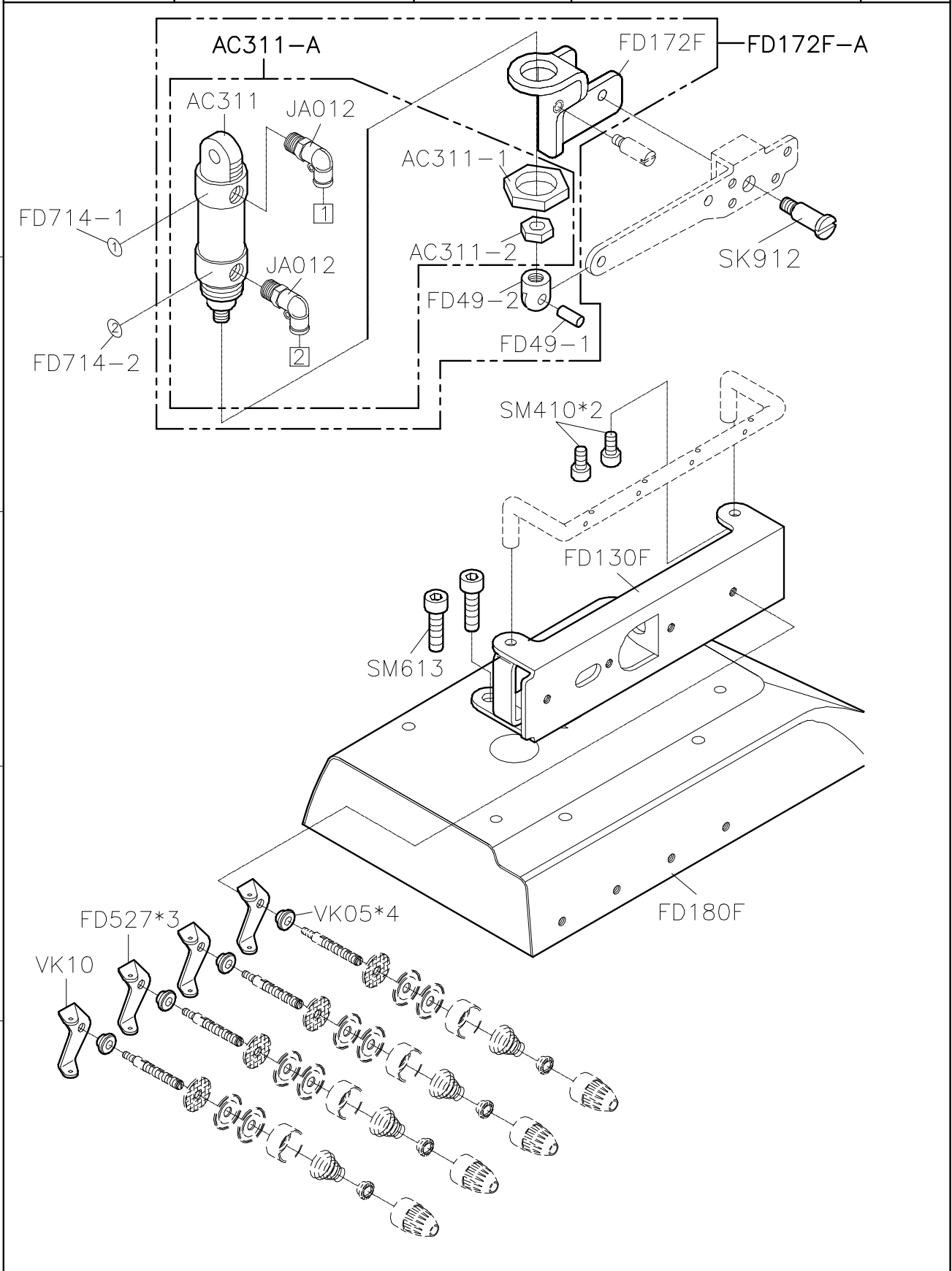
SIRUBA PARTS LIST	Series	Parts Group	Subclass / Remark	Page
	700FS	LF-D6/A		3/11
				Date
				2013/11/04



SIRUBA PARTS LIST	Series	Parts Group	Subclass / Remark	Page
	700FS	LF-D6/A	With Thread Release Device 含松線裝置	4/11
				Date
				2013/07/31



SIRUBA PARTS LIST	Series	Parts Group	Subclass / Remark	Page
	700FS	LF-D6/A	Without Thread Release Device 不含松線裝置	5/11
				Date
				2013/07/31



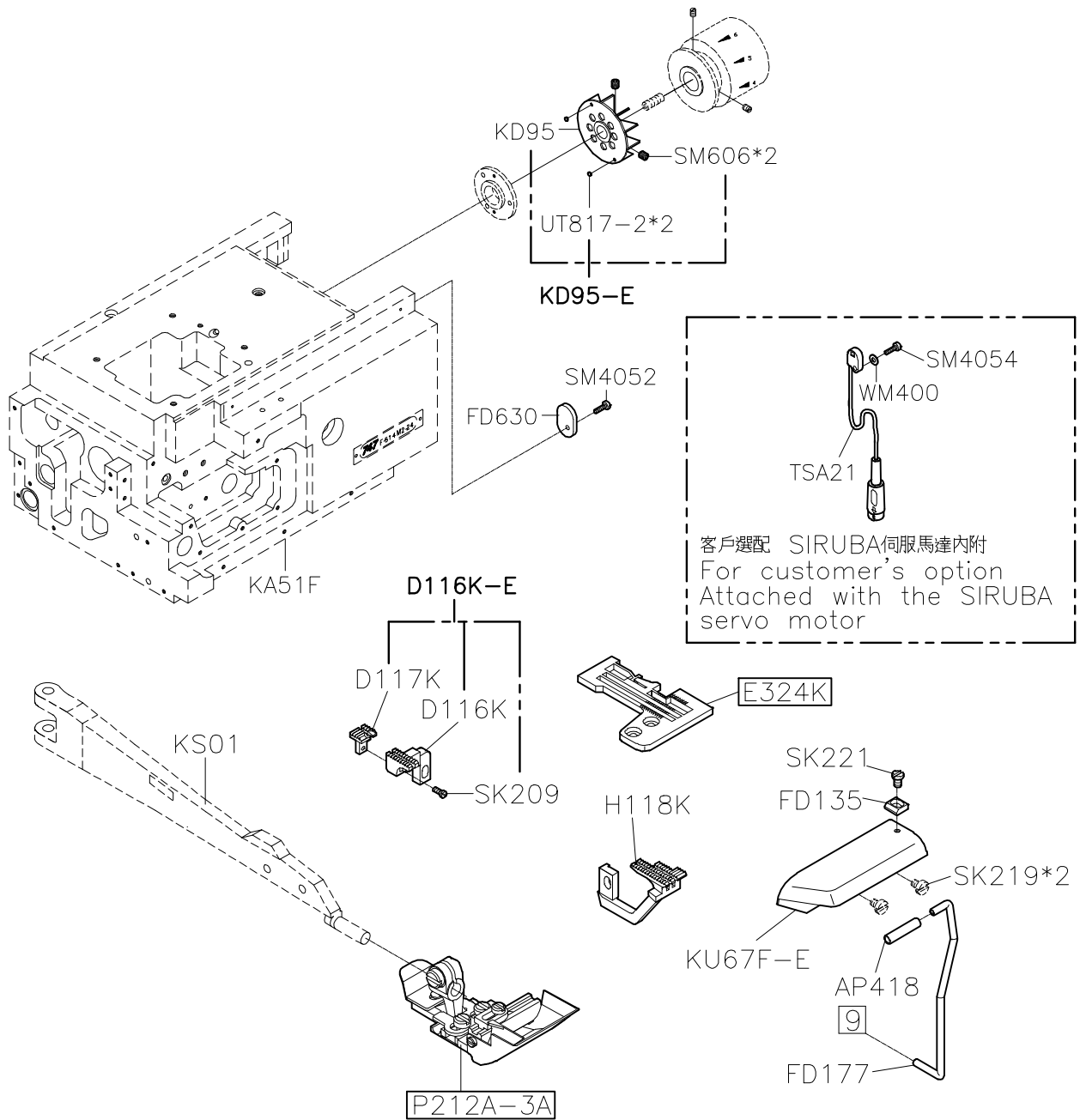
A

B

C

D

E



線別種類	針板	押具組	送料具	適用範圍 (鬆緊帶寬)
737	E324K	P212A-A	D116K / H118K	1/8~1/2"
		P212A-3A	D116K / H118K	3/8~7/8"
		P212A-5A	D116K / H118K	3/4~2 1/4"
747	E434K	P212A-2A	D116K / H118K	1/8~1/2"
		P212A-4A	D116K / H118K	3/8~7/8"
		P212A-6A	D116K / H118K	3/4~2 1/4"

1

2

3

4

5

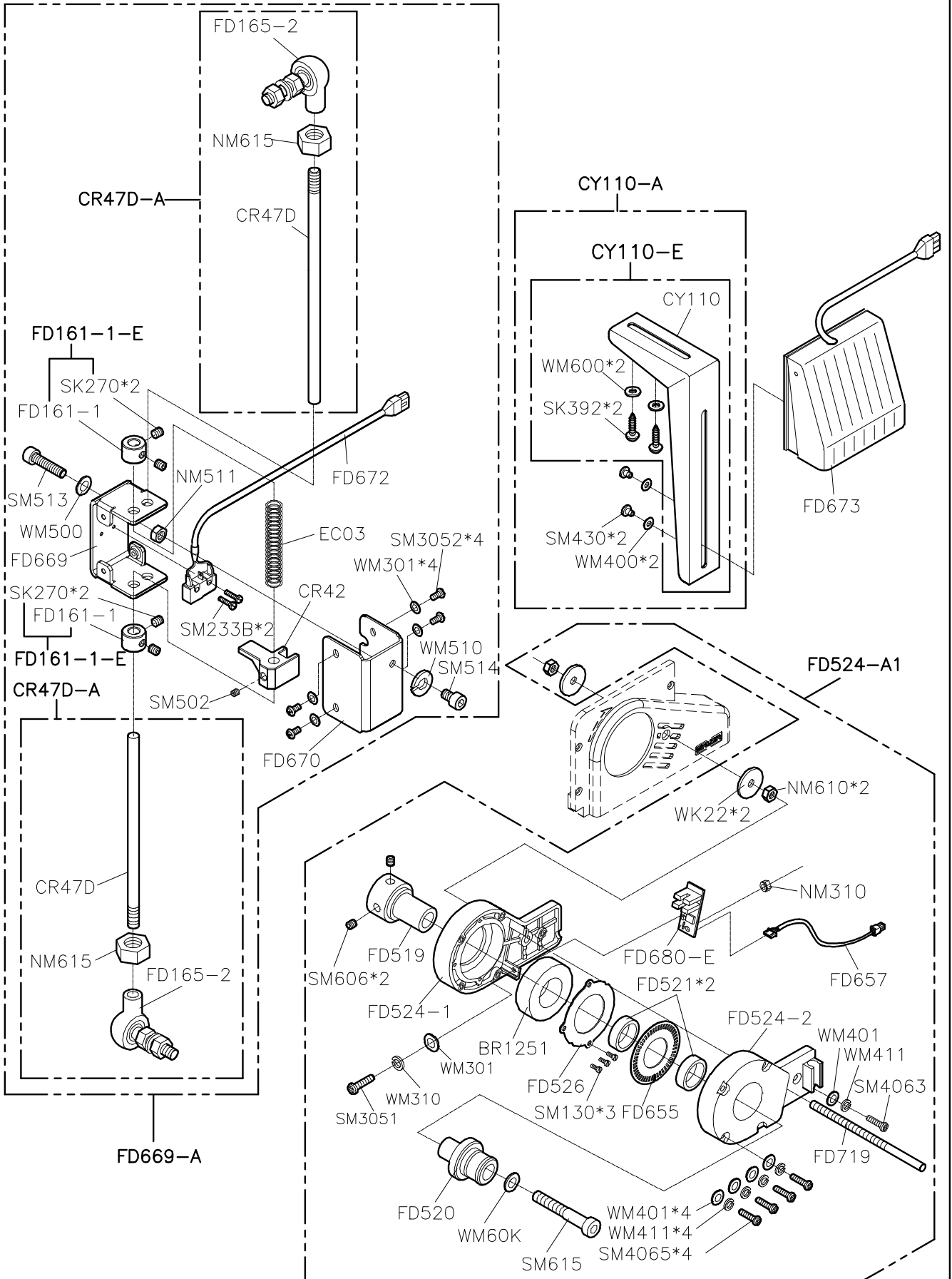
A

B

C

D

E



1

2

3

4

5

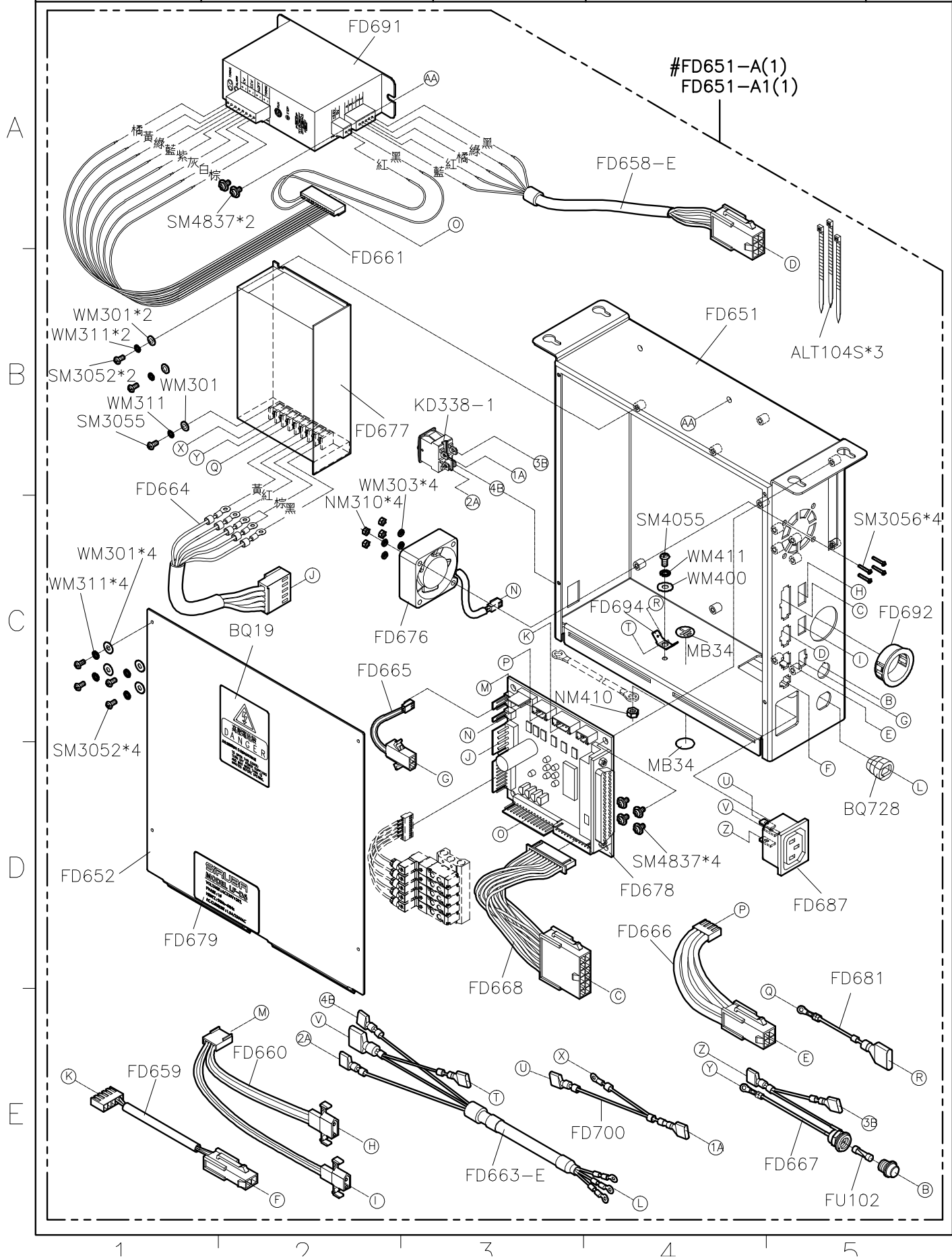
SIRUBA
PARTS LIST

Series
700FS

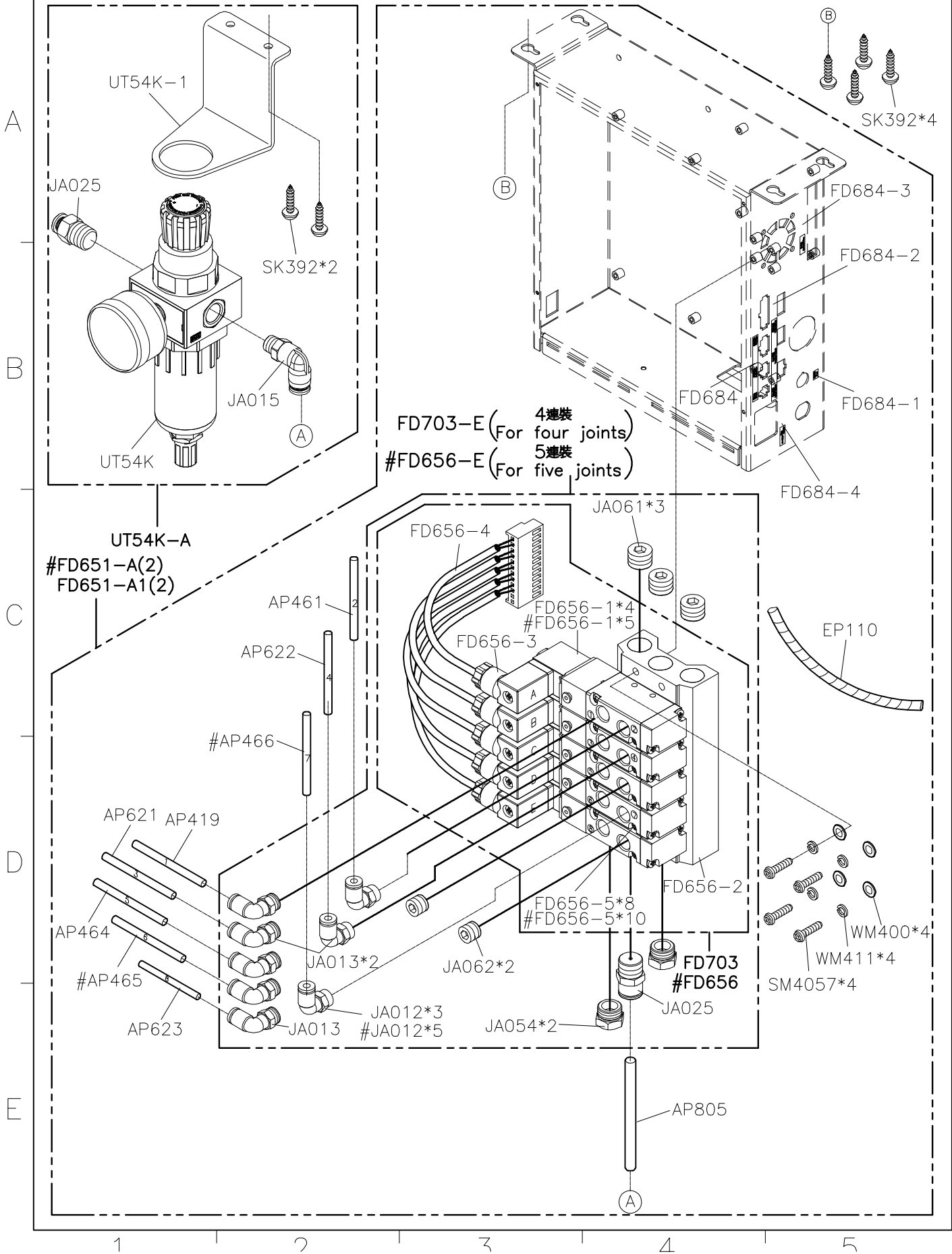
Parts Group
LF-D6/A

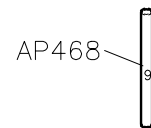
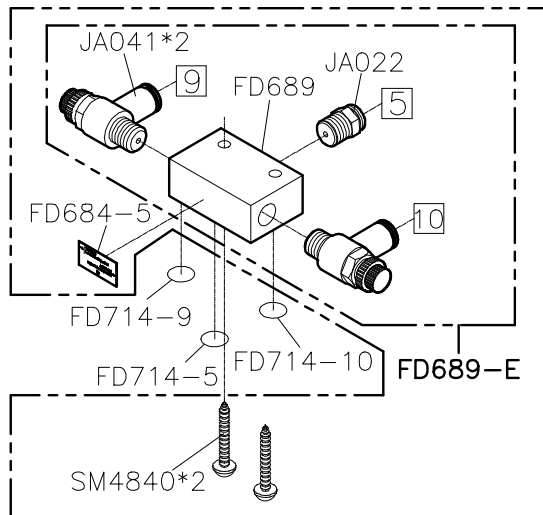
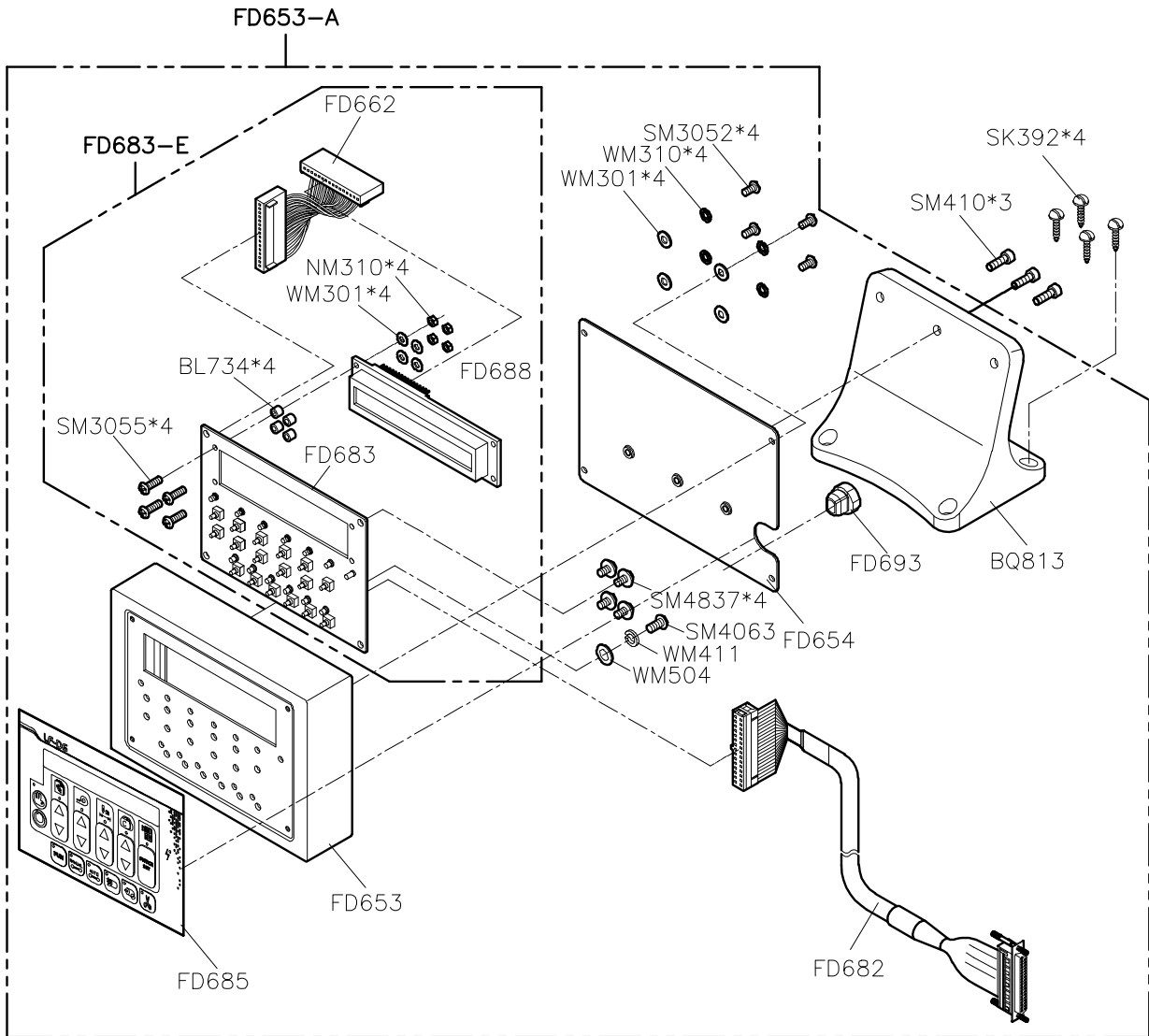
Subclass / Remark
#With Thread Release Device
#含松線裝置

Page
8/11
Date
2013/02/28



SIRUBA PARTS LIST	Series	Parts Group	Subclass / Remark	Page
	700FS	LF-D6/A	#With Thread Release Device #含松線裝置	9/11
				Date
				2013/11/04





SIRUBA PARTS LIST	Series	Parts Group	Subclass / Remark	Page
	700FS	LF-D6/A	#With Thread Release Device #含松線裝置	11/11
				Date
				2013/02/28

#FD690-A
FD690-A1

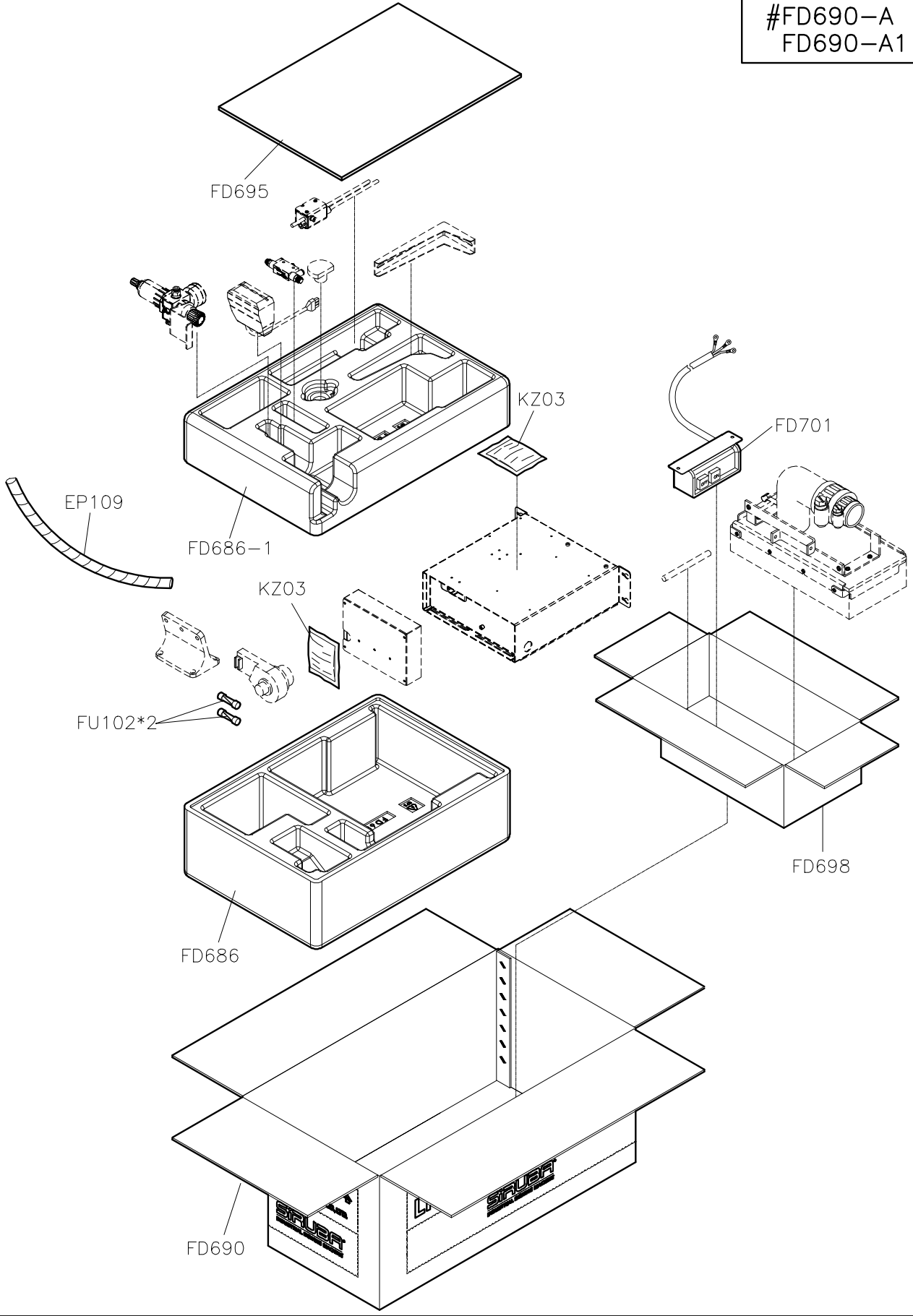
A

B

C

D

E



SIRUBA PARTS LIST	Series	Parts Group	Subclass / Remark	Page
	700FS	RLS		1/1
				Date
				2013/08/10

