

**SIRUBA**  
GAGE PARTS LIST

Series

**DL7000**

Remark

**NM1/NH1**

Page












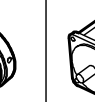
1/1

Date

2019/01/01

DL7000-NM1/NH1規格件表 CONVERSION CHART

P1

											
MODEL	SUB-CLASS	OPERATING PANEL	NEEDLE PLATE	FEED DOG	PRESSER FOOT	HOOK ASM	BOBBIN CASE ASM	BOBBIN	NEEDLE	HAND WHEEL	MOTOR
機 型	規 格	操作盒	針 板	送 具	押 具	梭 頭	梭 殼	梭 子	針 號	手 輪	馬 達
DL7000-NM1-10 ~ DL7000-NM1-13	薄中布 ? 薄中布	LU280-A	E706	D704	P708	G121	G202	G303	DBX1#14	LH500-E	T50D8S11
DL7000-NH1-10 ~ DL7000-NH1-13	厚布料		E707	D714	P714	G124	G202	G303	DBX1#21		

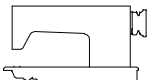
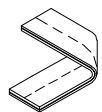

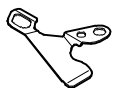

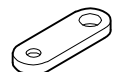
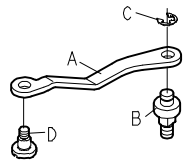
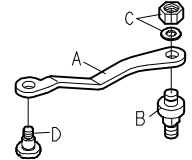
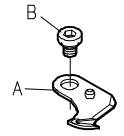
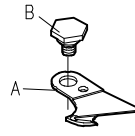
<b>SIRUBA</b> <b>MODEL COMPARE LIST</b>	Series	Remark	Page	Date
	L918/L918U/DL918/DL7000	NM1/NH1	1/3	2013/06/10

## L918/L918U/DL918/DL7000 型別件表

										
MODEL	SUB-CLASS	SPRING	SPRING	ECCENTRIC	THREAD GUIDE	NEEDLE BAR	FIXED PIN	ADJUSTING KNOB	HOOK FIXER	
機 型	規 格	控線彈簧	控線彈簧	偏心凸輪	擋環片	針棒	固定銷	調整旋鈕	旋梭定位板	
NM1	薄布料 ~ 中厚料	LA31	LA22	LN38	A	LA17	LN37	LC13	LC23G	LE14D
					B	SK613				
NH1	中厚料 ~ 厚布料	LA131	LA122	LN63	A	LA150	LN62	LC613	LC623G	LE614D
					B	SK689				

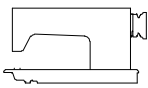
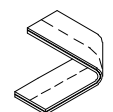

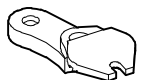

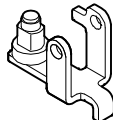

<b>SIRUBA</b> <b>MODEL COMPARE LIST</b>	<b>Series</b>	<b>Remark</b>	<b>Page</b>	<b>Date</b>
	<b>L918/L918U/DL918/DL7000</b>	<b>NM1/NH1</b>	<b>2/3</b>	<b>2013/01/01</b>

## L918/L918U/DL918/DL7000 型別件表

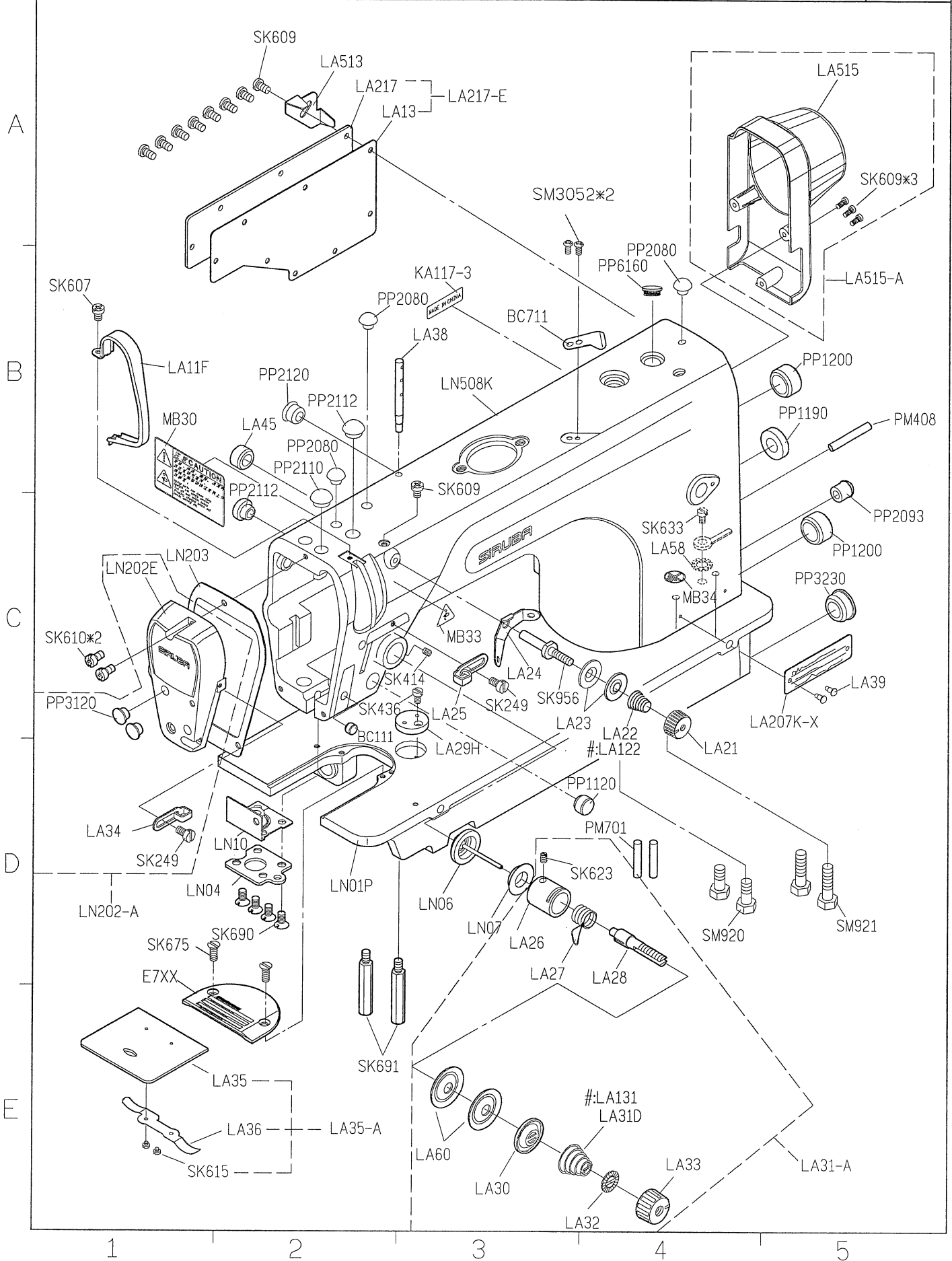
													
MODEL	SUB-CLASS	SOLENOID BRACKET	PRESSER PLATE	FIXED PLATE	FIXED PLATE	CONNECTING ROD		CONNECTING ROD		MOVABLE KNIFE		MOVABLE KNIFE	
機 型	規 格	電磁閥座	押板	固定刀	固定片	連桿		連桿		活動刀		活動刀	
NM1	薄布料 ~ 中厚料	LU26	LU04	LU05	LU28	A	LU15	—	—	A	LU02	—	—
						B	SK662			B	SK660		
						c	EM050						
						D	SK664						
NH1	中厚料 ~ 厚布料	LU626	LU604	LU605	LU628	—	A	LU615	—	—	A	LU602	
							B	SK677			B	SK683	
							c	NK26/WM402					
							D	SK682					

<b>SIRUBA</b> <b>MODEL COMPARE LIST</b>	Series	Remark	Page	Date
	L918/L918U/DL918/DL7000	NM1/NH1	3/3	2013/01/01

### L918/L918U/DL918/DL7000 型別件表

						
MODEL	SUB-CLASS	MOVABLE KNIFE CONNECTING ROD	MOVABLE KNIFE CONNECTING ROD	PRESSER PLATE	MOVABLE KINFE	TRIMMER SOLENOID
機 型	規 格	活動刀連桿	活動刀連桿	刀座	轉子連桿	切線電磁閥
NM1	薄布料 ~ 中厚料	LU01	—	LU03	LU18	LU25
NH1	中厚料 ~ 厚布料	—	LU601	LU603	LU618	LU625

SIRUBA PARTS LIST	Series	Parts Group	Subclass / Remark	Page
	DL7000-NM1/NH1	LA	#:Use for NH1	1/2
				Date
				2017/03/07



**SIRUBA**

**PARTS LIST**

**Series**

**DL7000-NM1/NH1**

**Parts Group**

**LA**

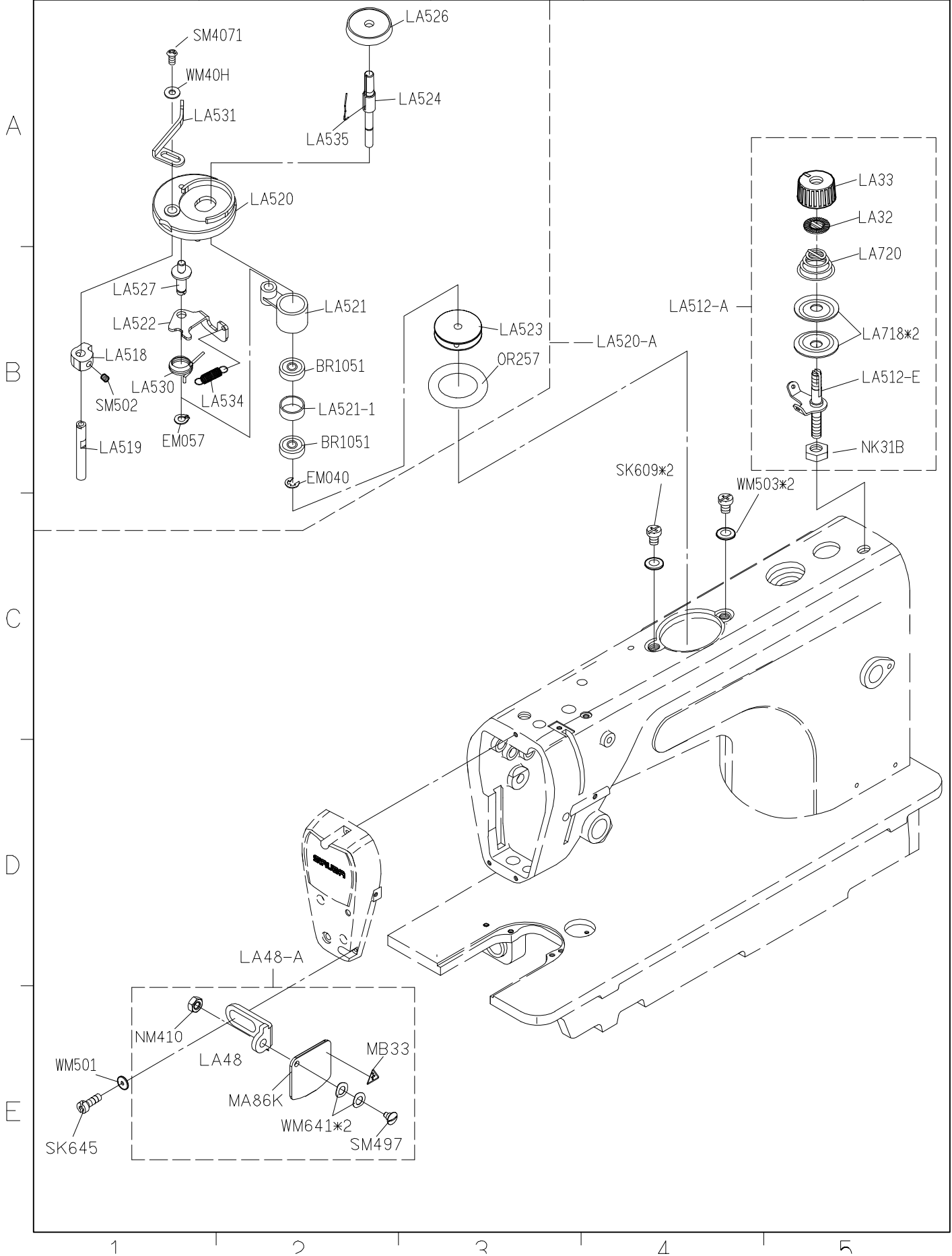
**Subclass / Remark**

**Page**

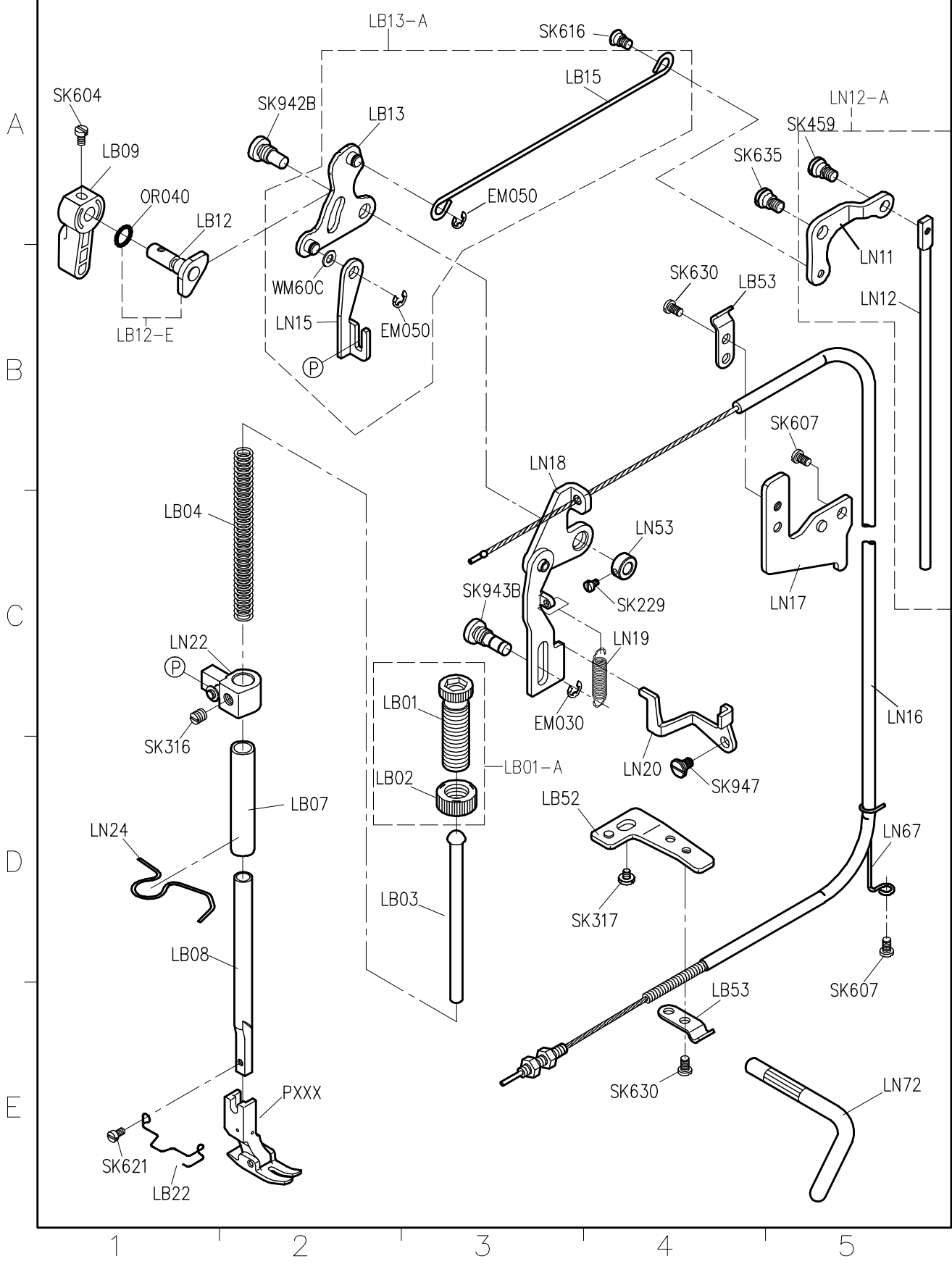
**2/2**

**Date**

**2015/04/15**



<b>SIRUBA</b> <b>PARTS LIST</b>	<b>Series</b>	<b>Parts Group</b>	<b>Subclass / Remark</b>	<b>Page</b>
	DL7000-NM1/NH1	<b>LB</b>		1/1
				<b>Date</b>
				2013/01/01



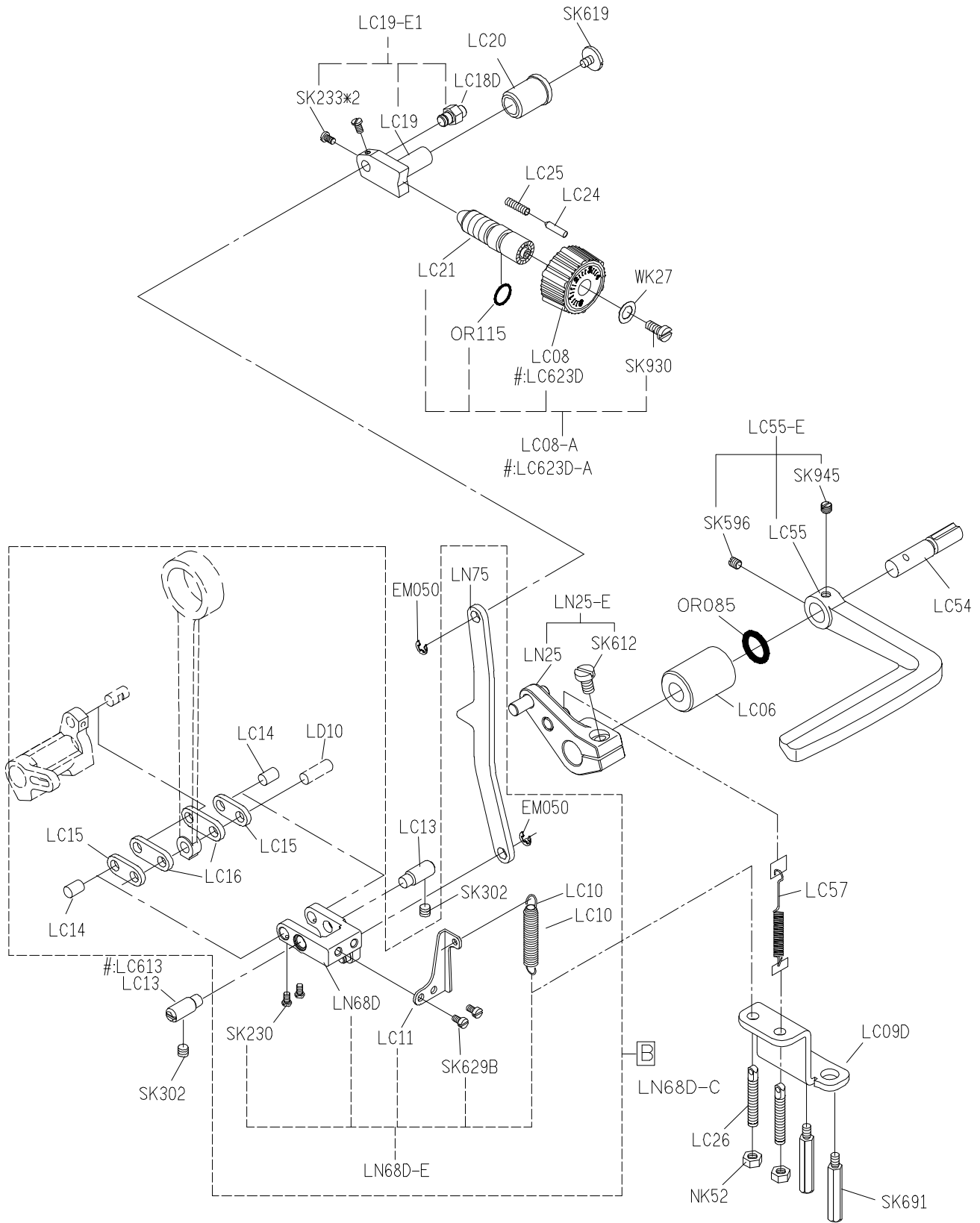
A

B

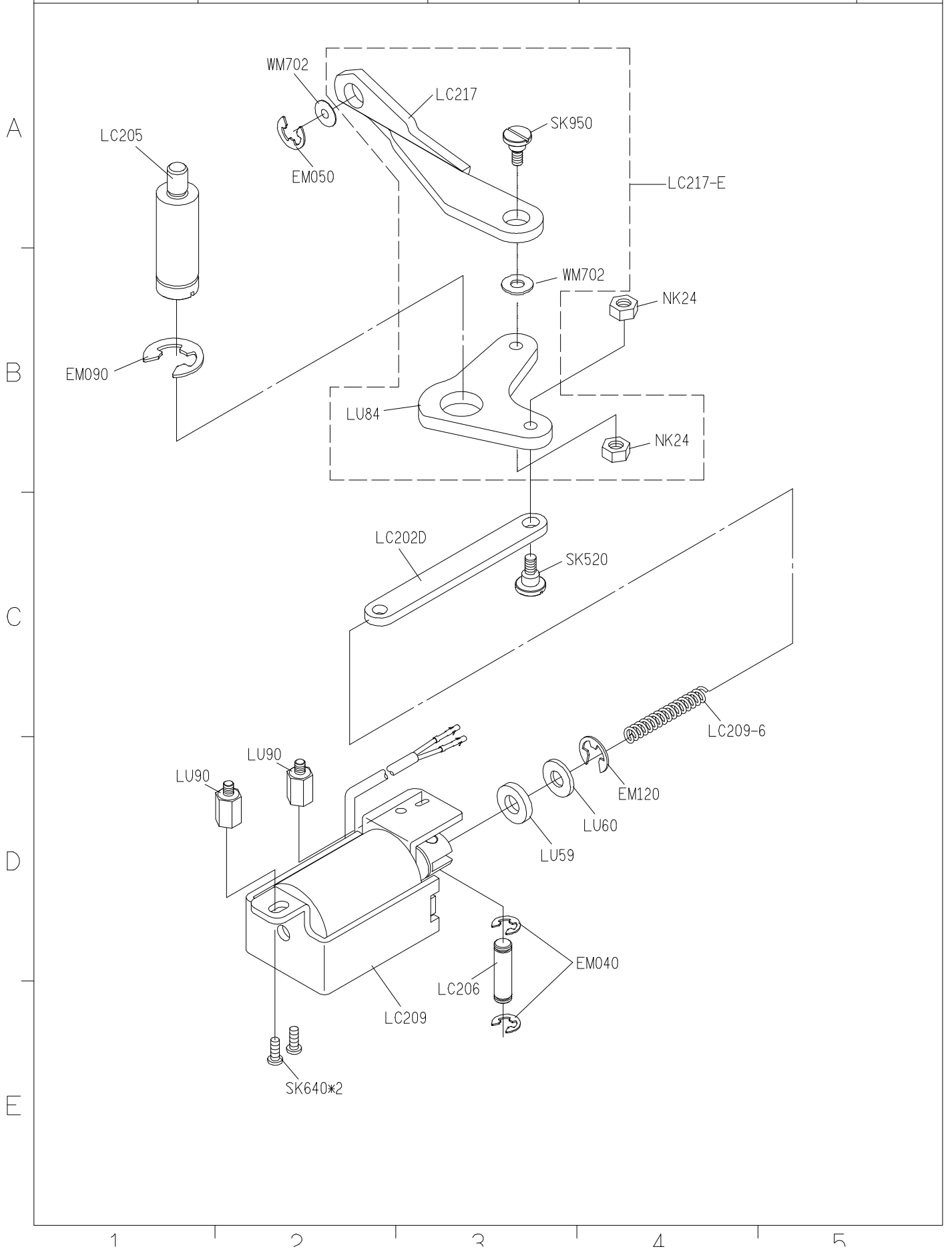
C

D

E







<b>SIRUBA</b> <b>PARTS LIST</b>	<b>Series</b>	<b>Parts Group</b>	<b>Subclass / Remark</b>	<b>Page</b>
	DL7000-NM1/NH1	LD		1/1
				Date
				2013/01/01

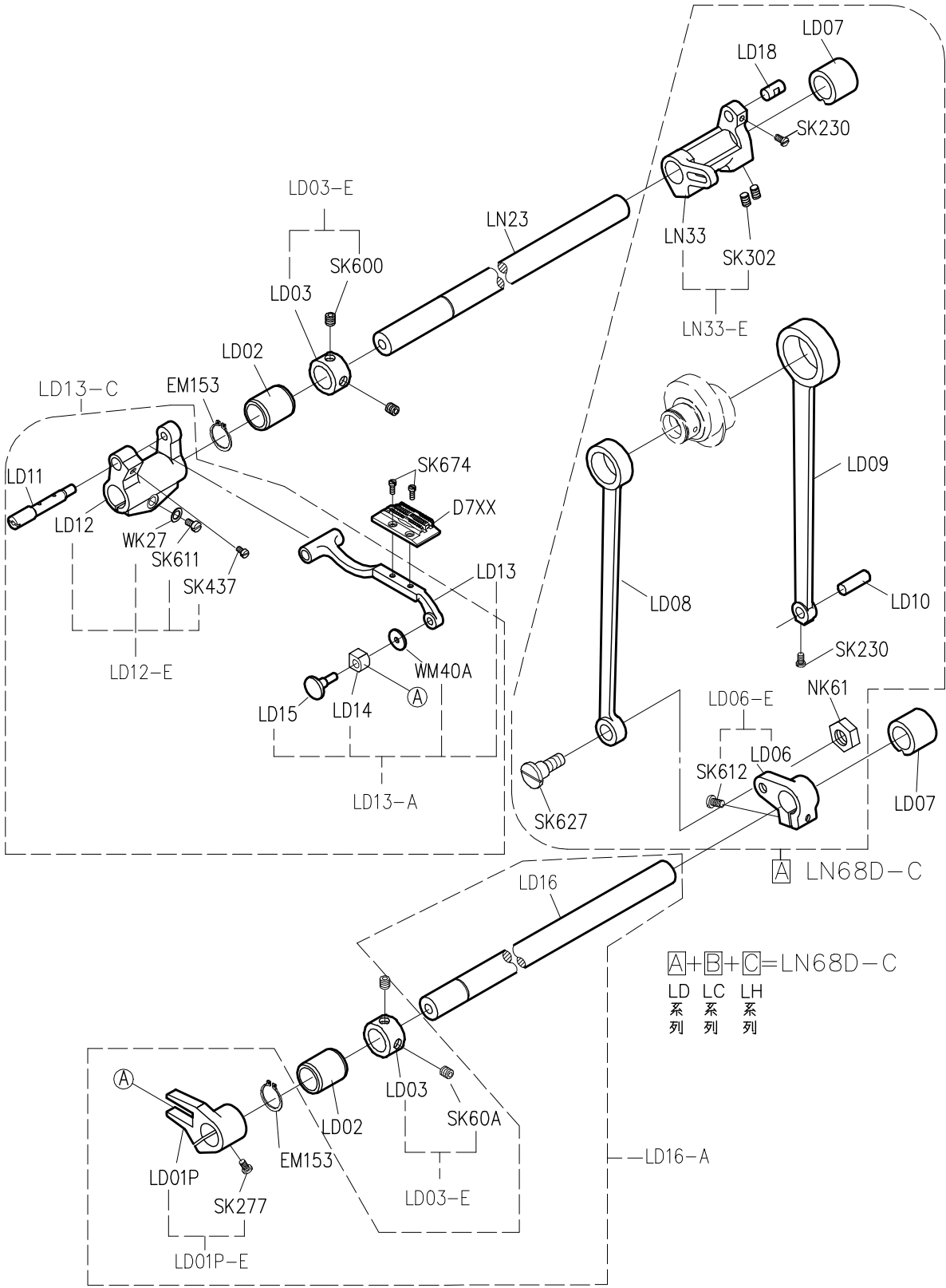
A

B

C

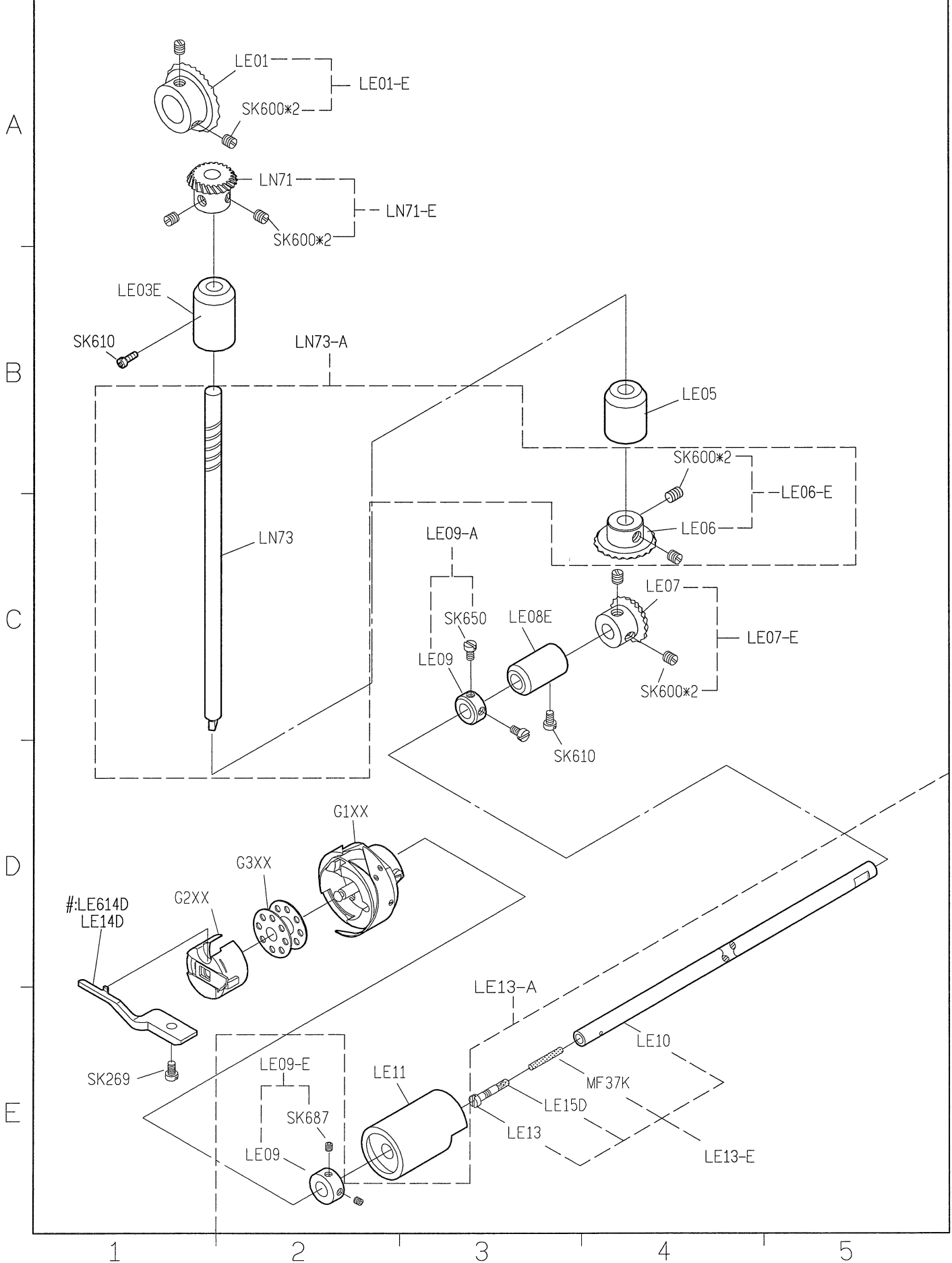
D

E

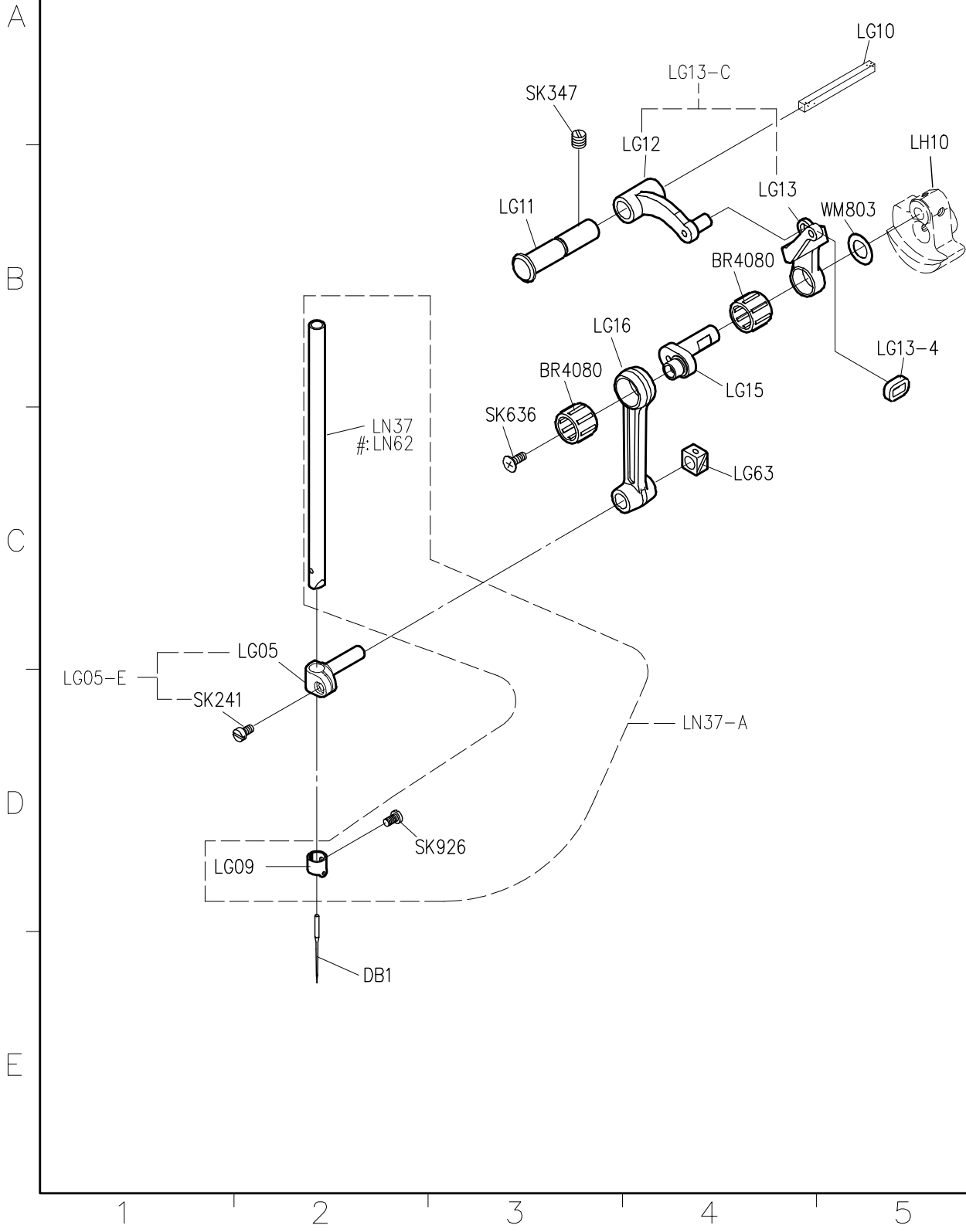


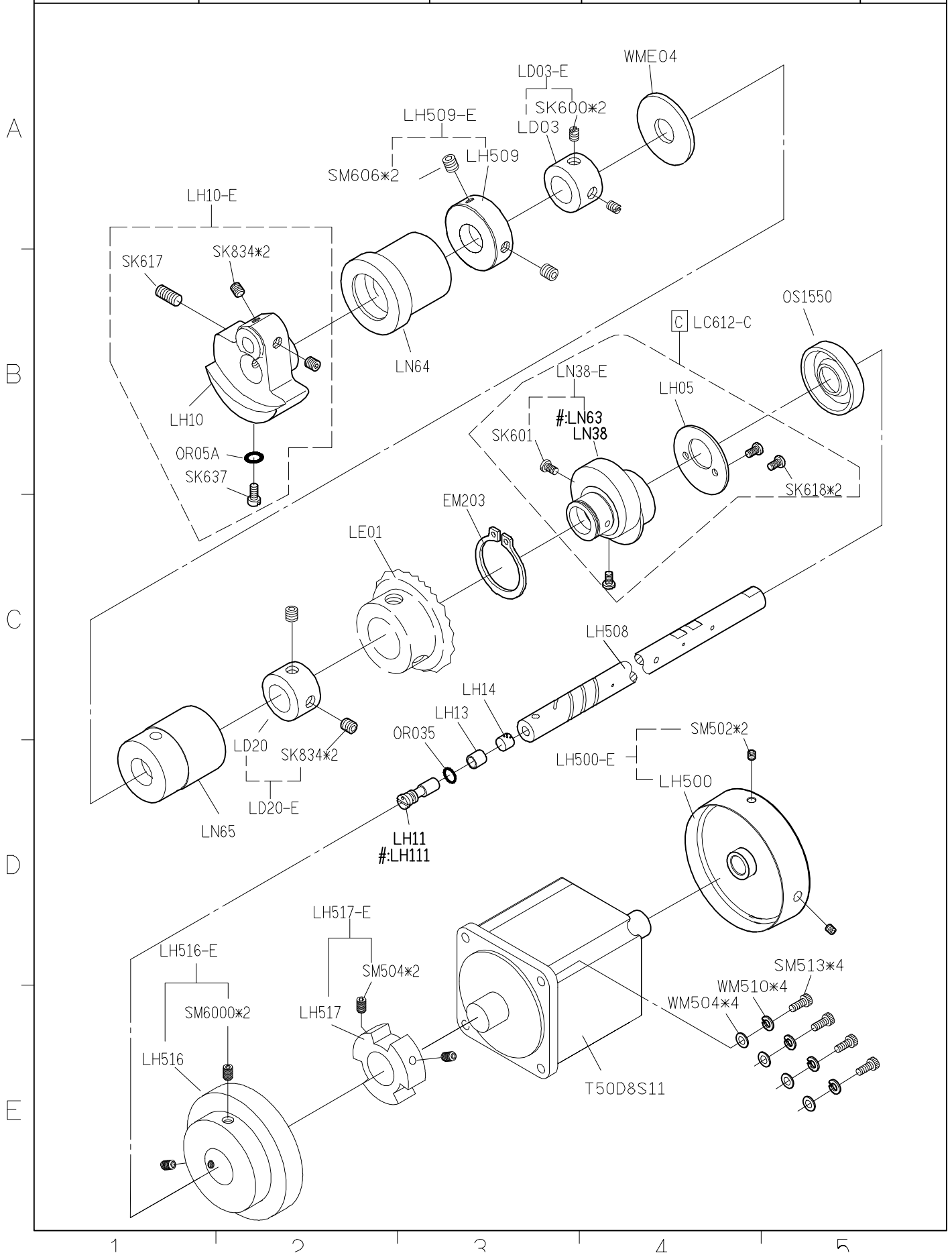
$\square A + \square B + \square C = \square LN68D-C$   
 LD LC LH  
 系 系 系  
 列 列 列

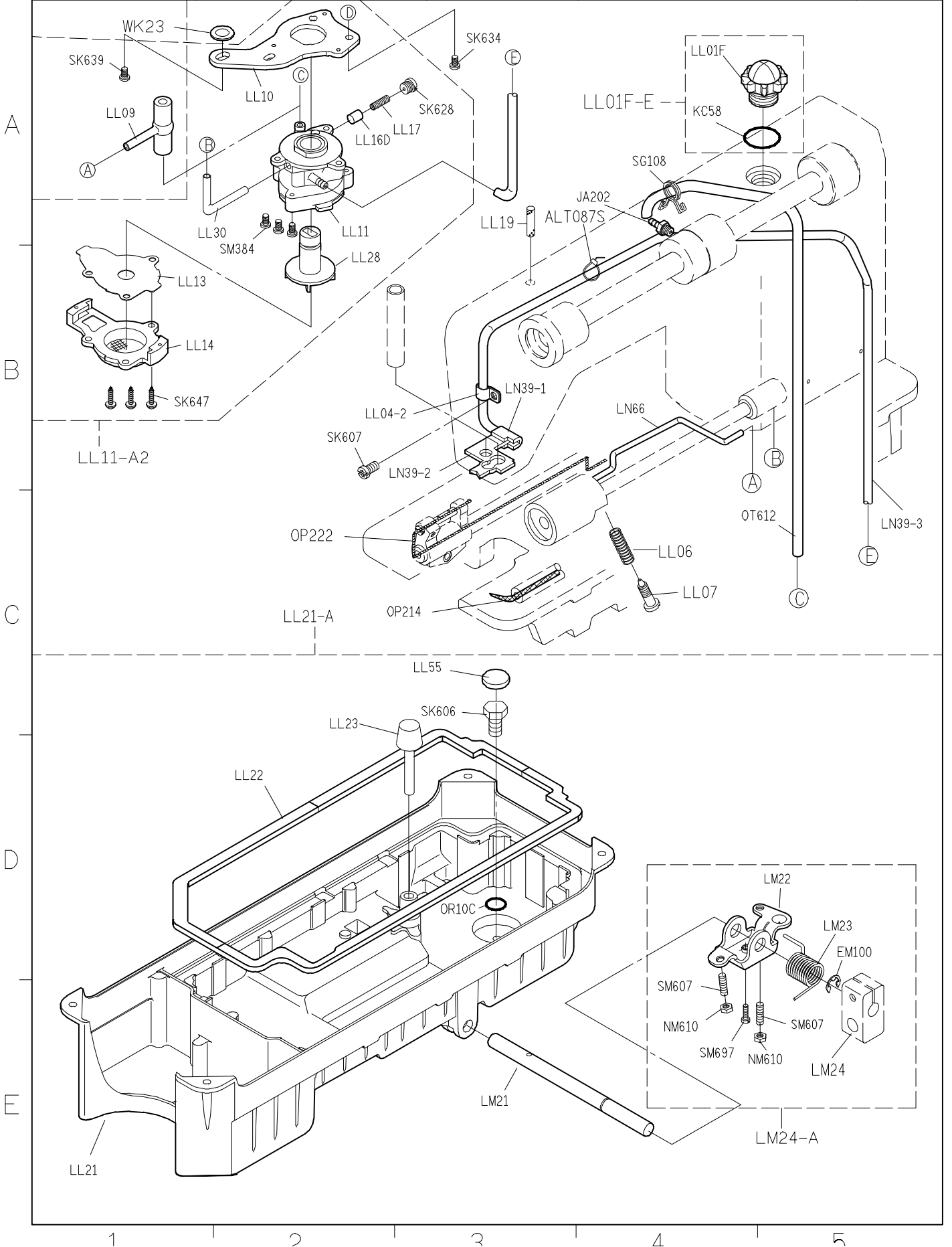
<b>SIRUBA</b> PARTS LIST	Series	Parts Group	Subclass / Remark	Page
	DL7000-NM1/NH1	LE	#:Use for NH1	1/1
				Date
				2015/07/28



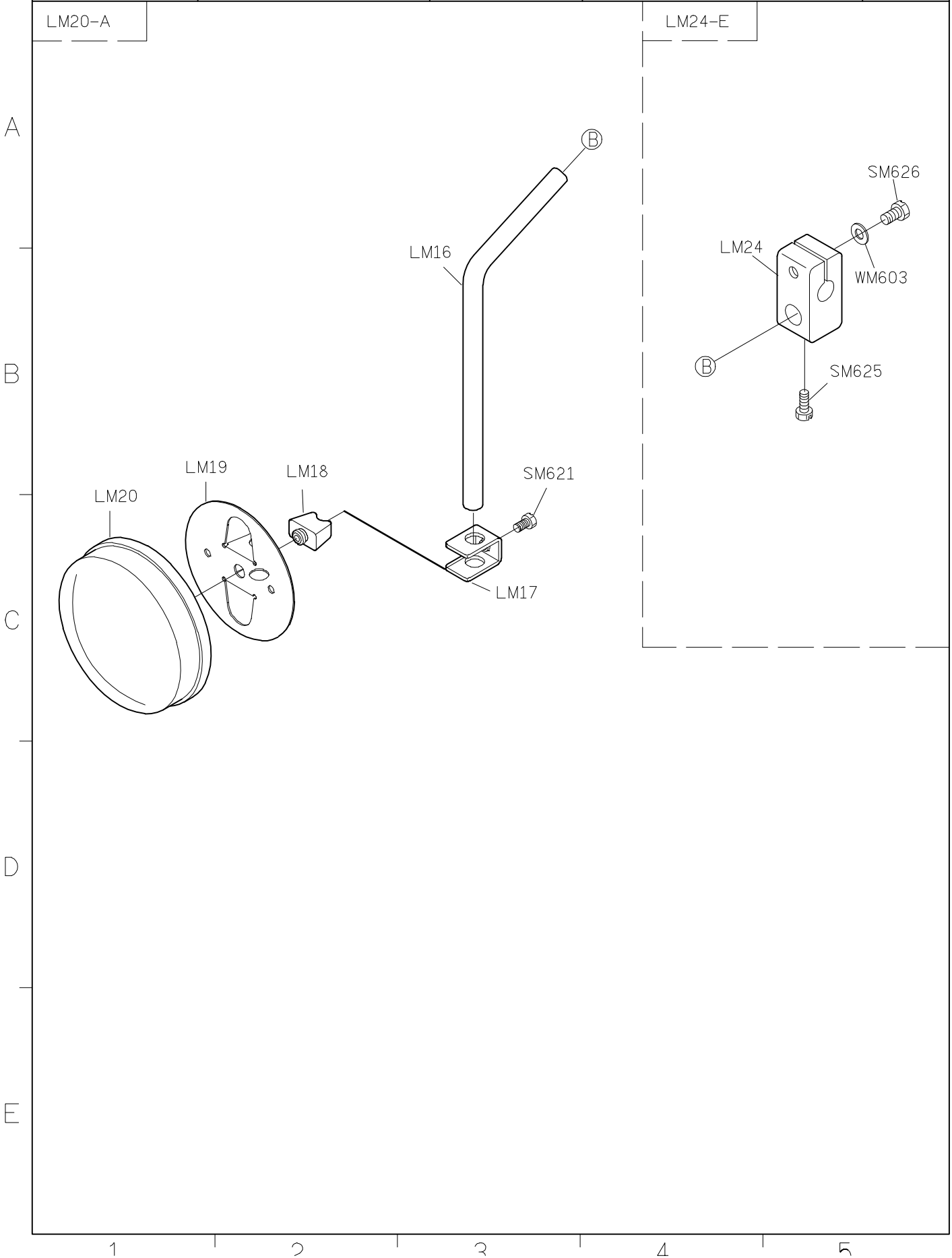
SIRUBA PARTS LIST	Series	Parts Group	Subclass / Remark	Page
	DL7000-NM1/NH1	LG	#:Use for NH1	1/1
				Date
				2013/01/01



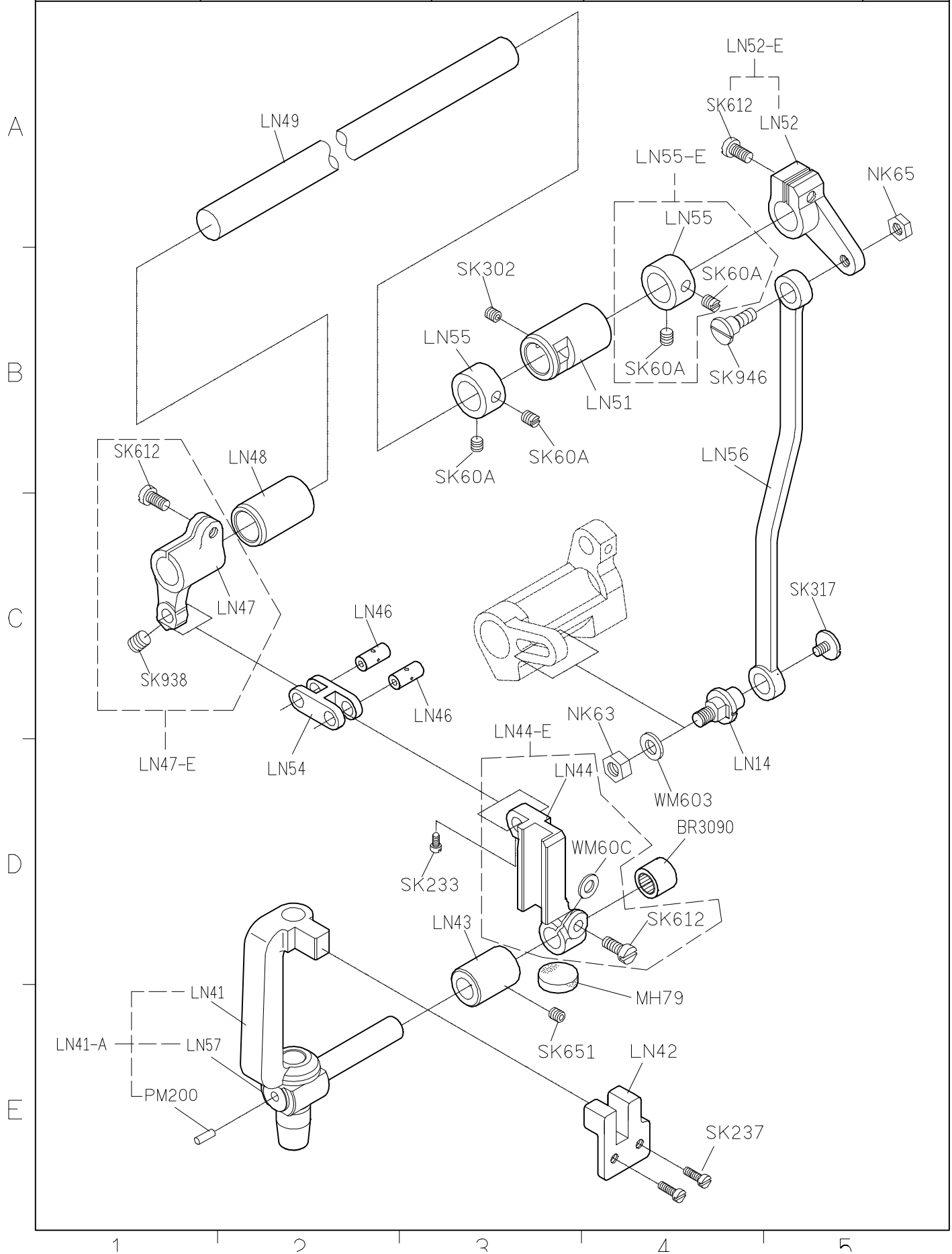




<b>SIRUBA</b> <b>PARTS LIST</b>	Series	Parts Group	Subclass / Remark	Page
	<b>DL7000-NM1/NH1</b>	<b>LM</b>		1/1
				Date
				2013/01/01



SIRUBA PARTS LIST	Series	Parts Group	Subclass / Remark	Page
	DL7000-NM1/NH1	LN		1/1
				Date
				2013/08/02





**SIRUBA**

**PARTS LIST**

Series

DL7000-NM1/NH1

Parts Group

**LU**

Subclass / Remark

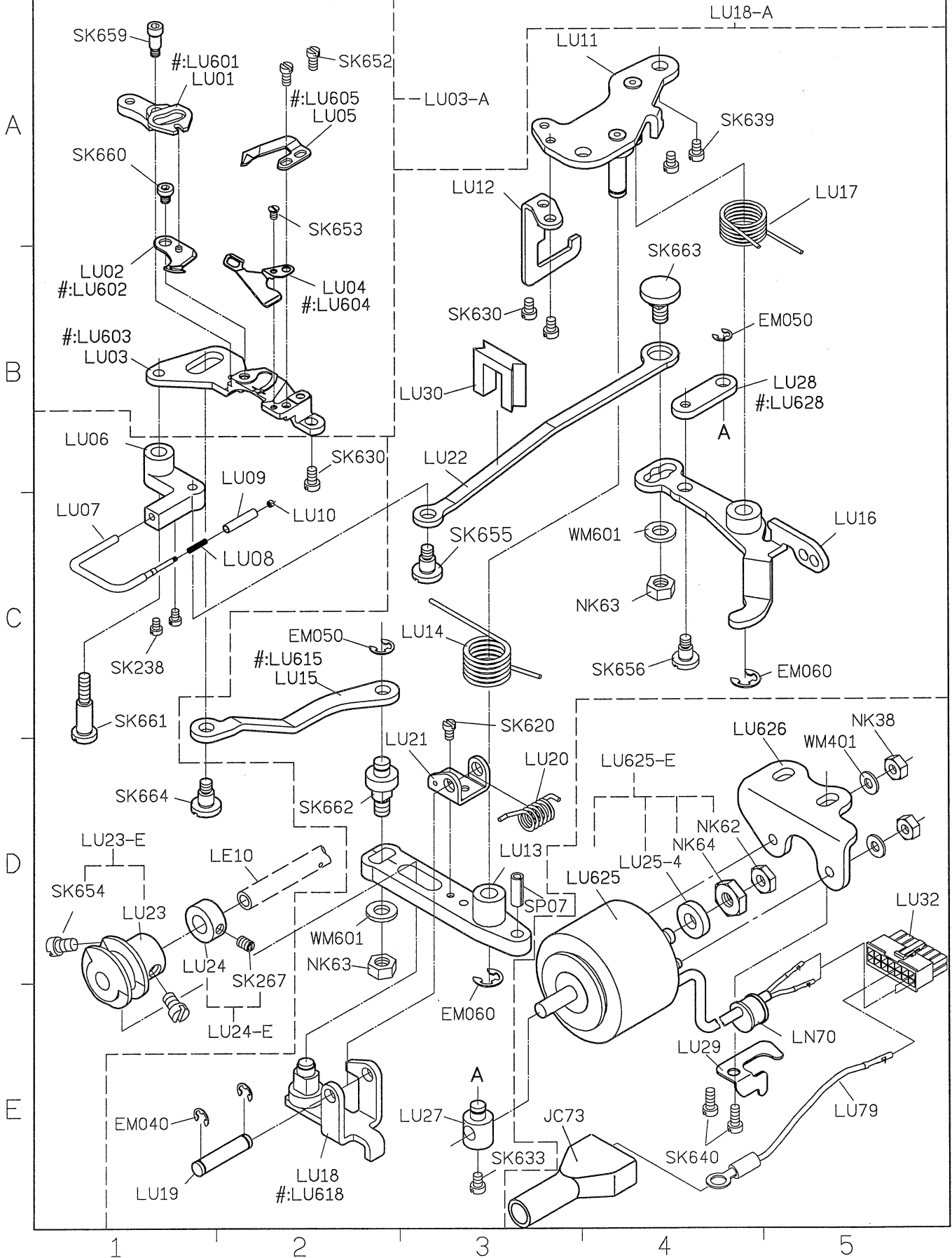
#:Use for NH1

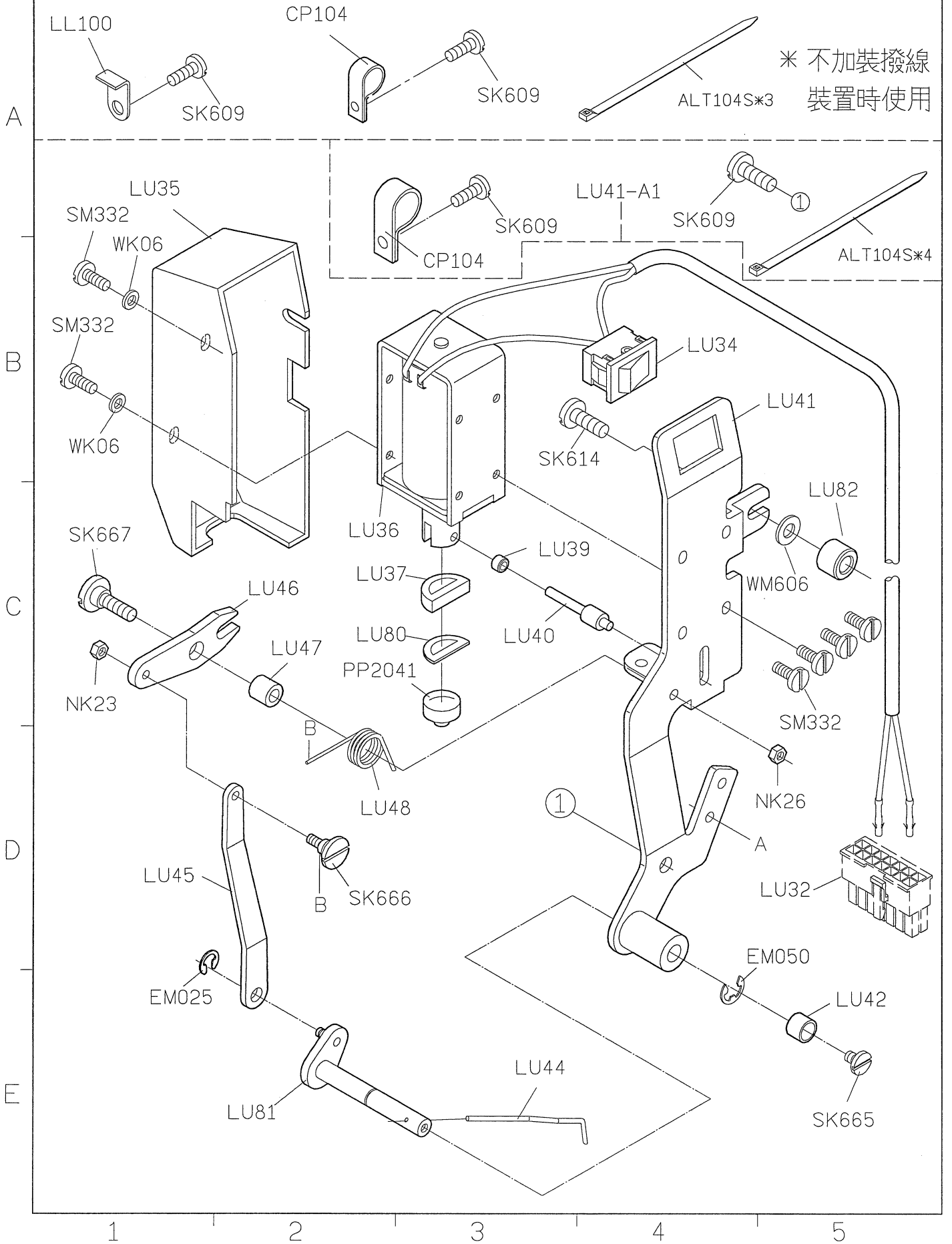
Page

1/6

Date

2015/12/02





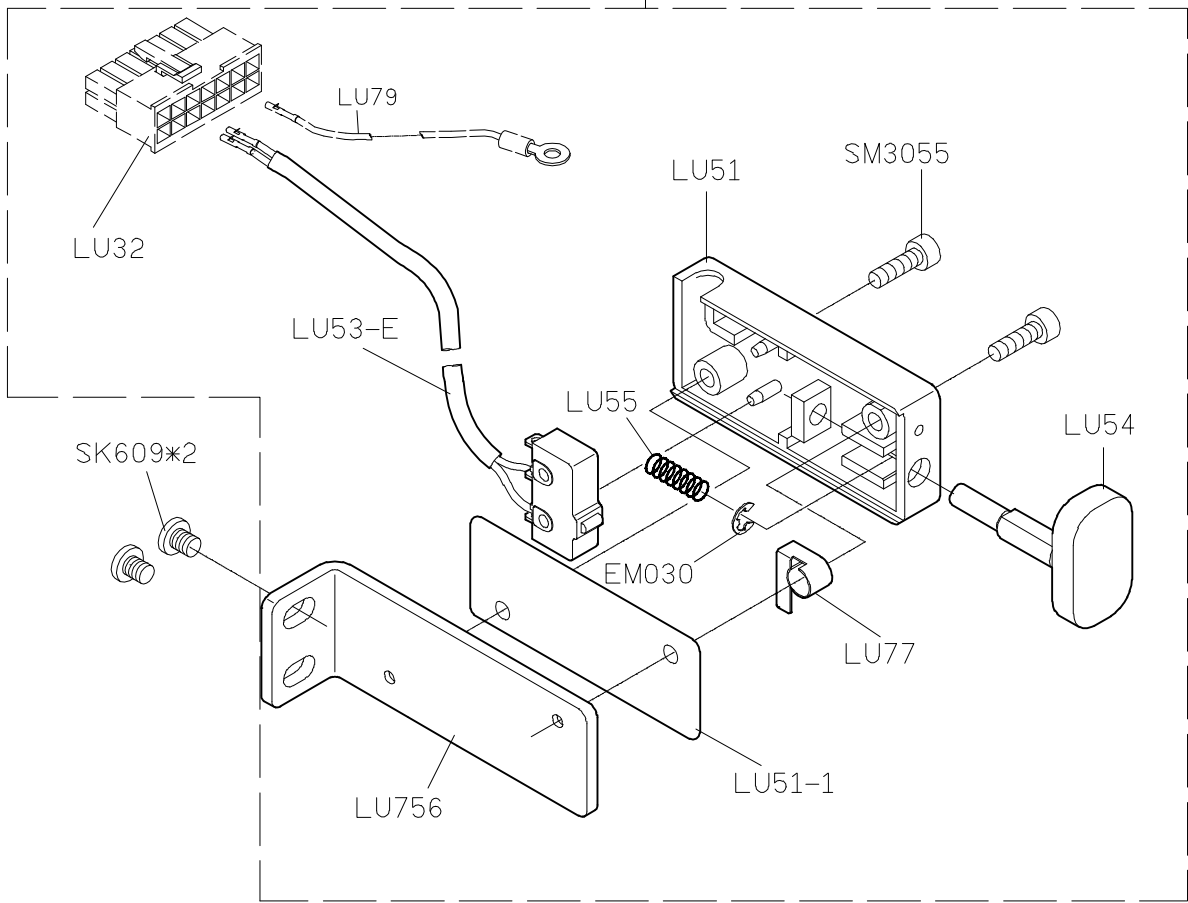
<b>SIRUBA</b>  <b>PARTS LIST</b>	<b>Series</b>	<b>Parts Group</b>	<b>Subclass / Remark</b>	<b>Page</b>
	DL7000-NM1/NH1	LU		3/6
				Date
				2015/01/19

LU756-A1

A

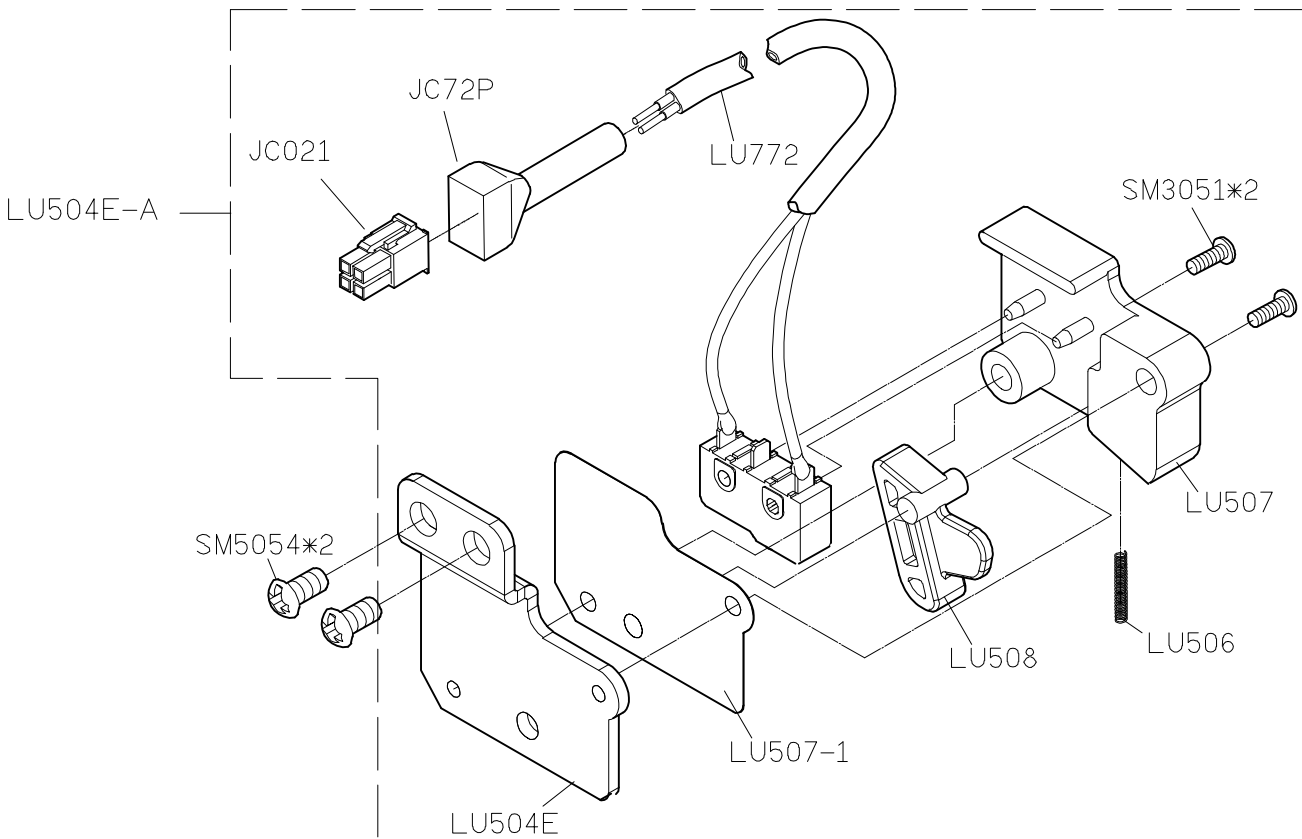
B

C



D

E



1

2

3

4

5

SIRUBA PARTS LIST	Series	Parts Group	Subclass / Remark	Page
	DL7000-NM1/NH1	LU	#:Use for NH1	4/6
				Date
				2013/01/01

#:LU64D-A1  
LU64F-A1

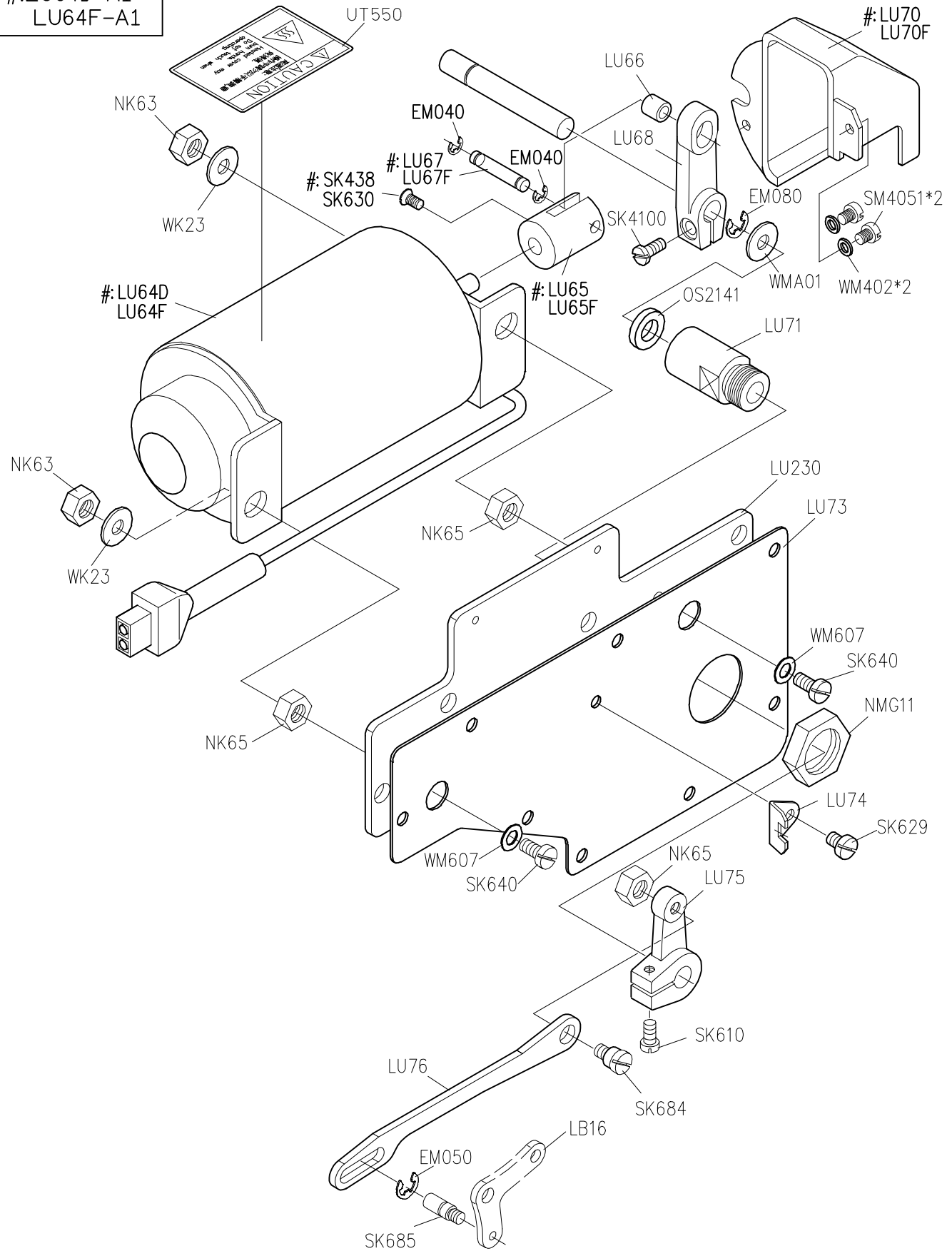
A

B

C

D

E



1

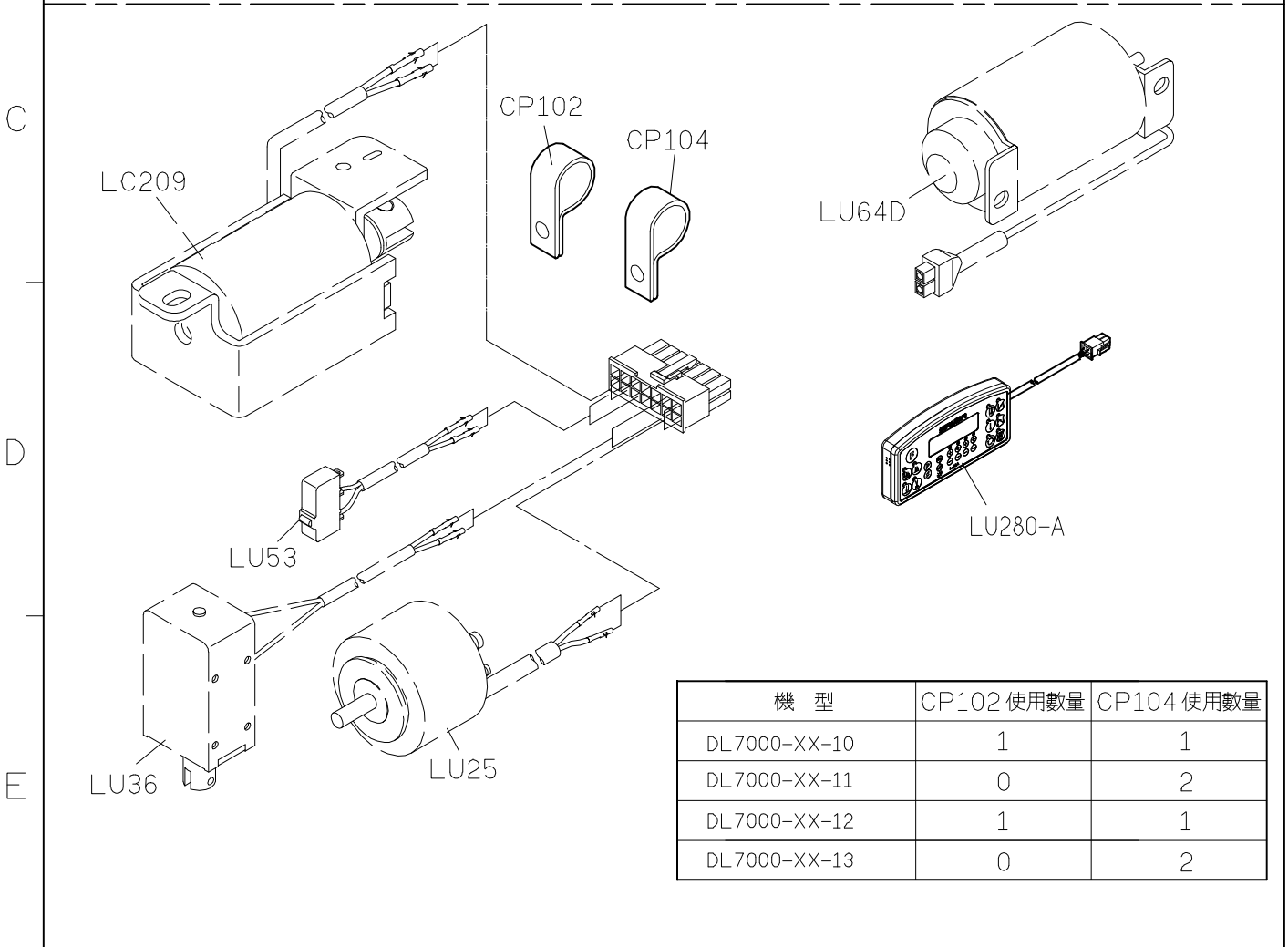
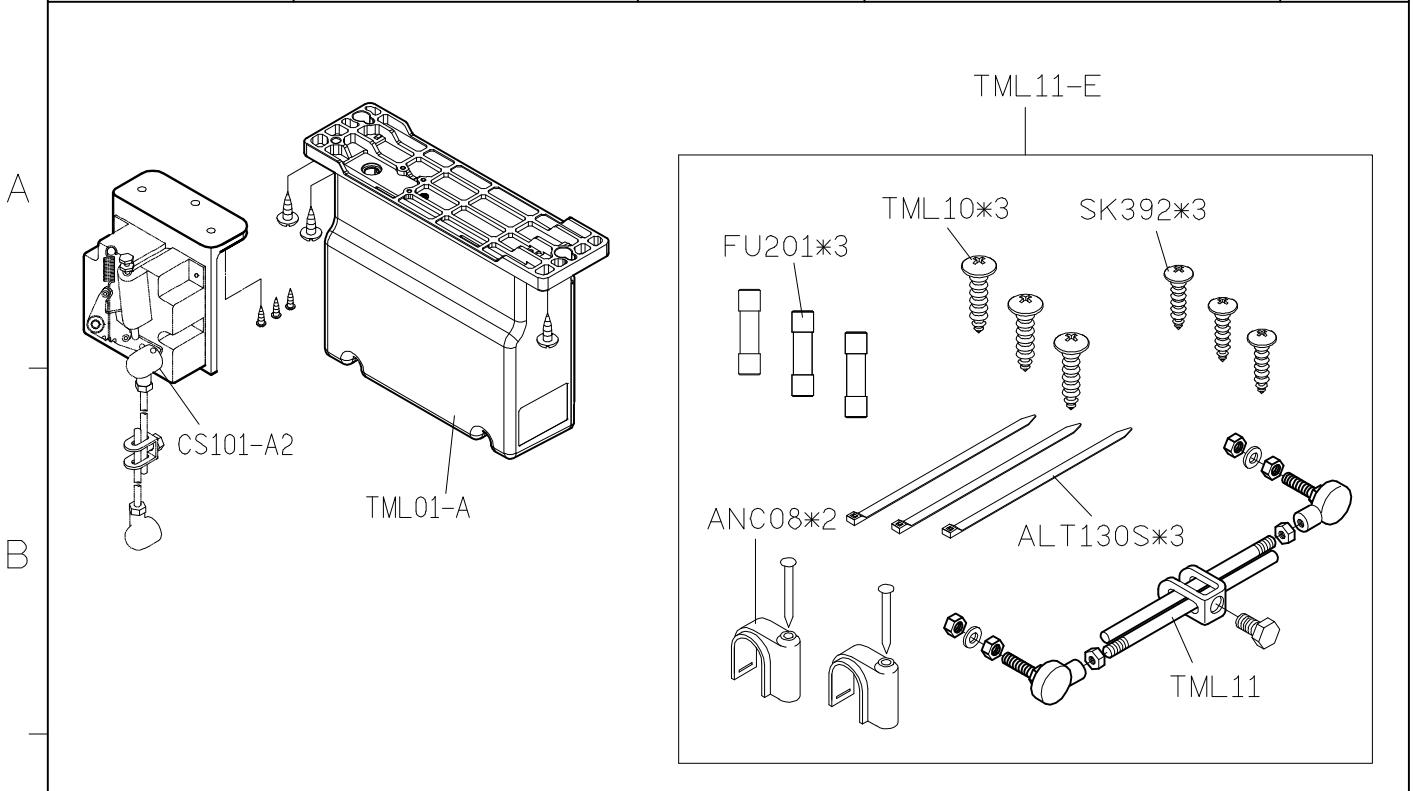
2

3

4

5

<b>SIRUBA</b>  <b>PARTS LIST</b>	<b>Series</b>	<b>Parts Group</b>	<b>Subclass / Remark</b>	<b>Page</b>
	<b>DL7000-NM1/NH1</b>	<b>LU</b>		<b>5/6</b>
				<b>Date</b>
				2014/12/4



機 型	CP102使用數量	CP104使用數量
DL7000-XX-10	1	1
DL7000-XX-11	0	2
DL7000-XX-12	1	1
DL7000-XX-13	0	2

<b>SIRUBA</b> <b>PARTS LIST</b>	Series	Parts Group	Subclass / Remark	Page
	DL7000-NM1/NH1	LU		6/6
				Date
				2013/01/01

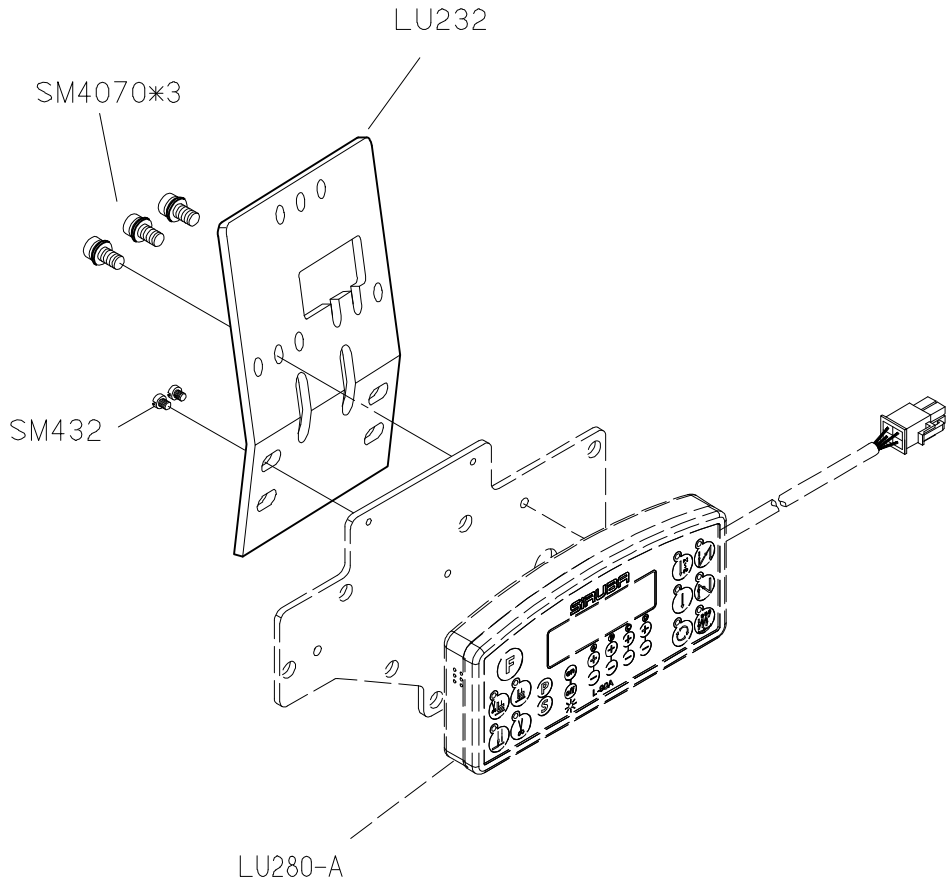
A

B

C

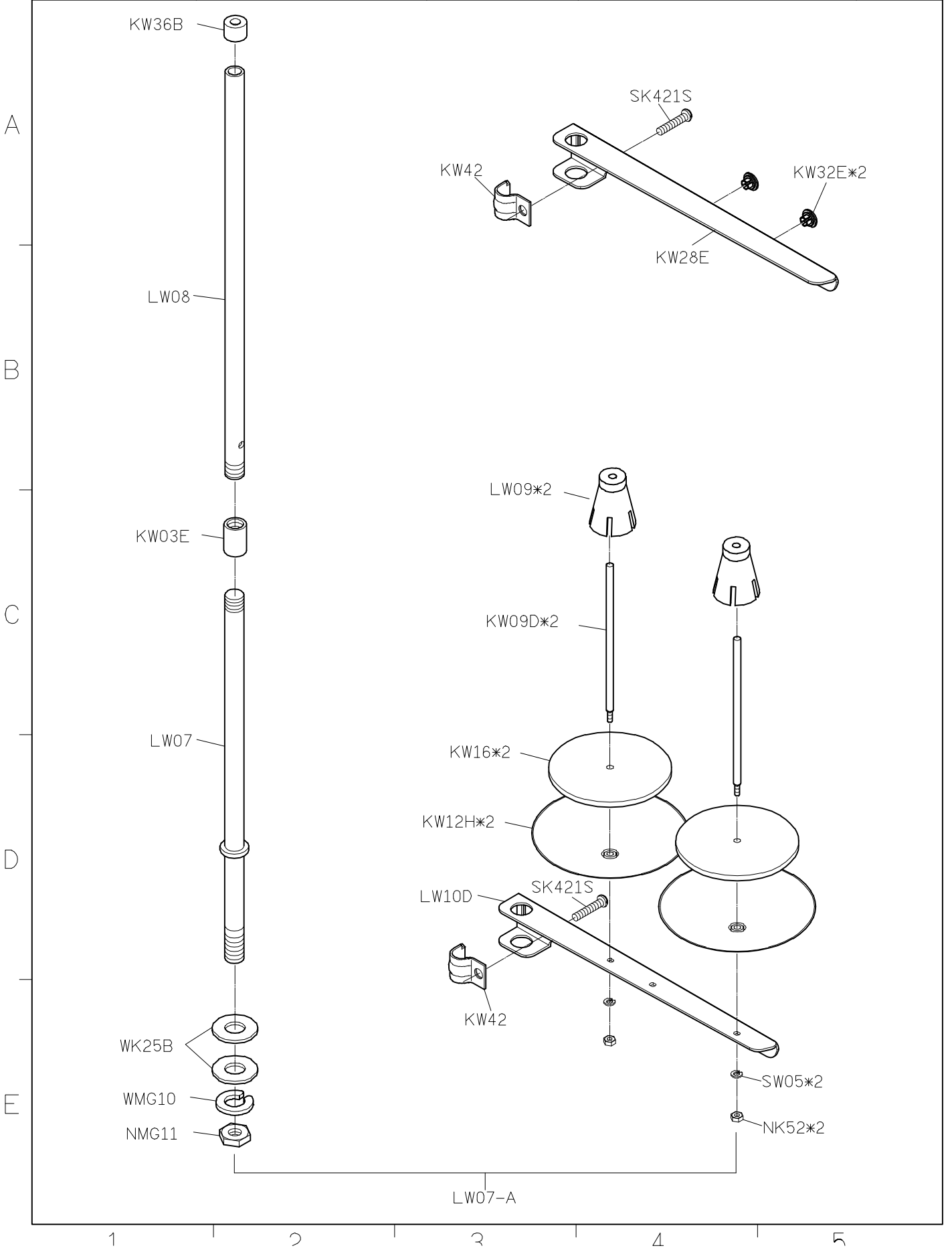
D

E

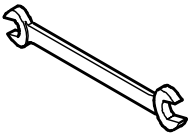

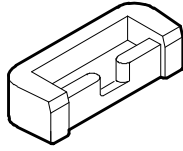
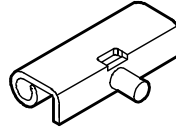




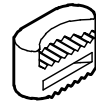


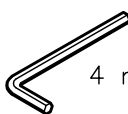
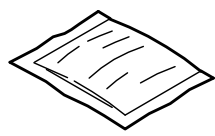
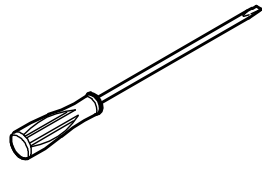
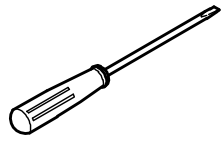
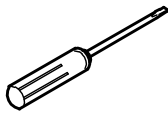



代碼 NO.	操作面板 Control Panel	代碼 NO.	自動切線 Auto THREAD Trimmer	快速倒縫 Reverse Feeding	撥線桿 Wiper	自動拾押具 Auto Lifer
1	LU280-A	0	√	√	—	—
		1	√	√	√	—
		2	√	√	—	√
		3	√	√	√	√

SIRUBA PARTS LIST	Series	Parts Group	Subclass / Remark	Page
	DL7000-NM1/NH1	LW		1/1
				Date
				2013/04/10

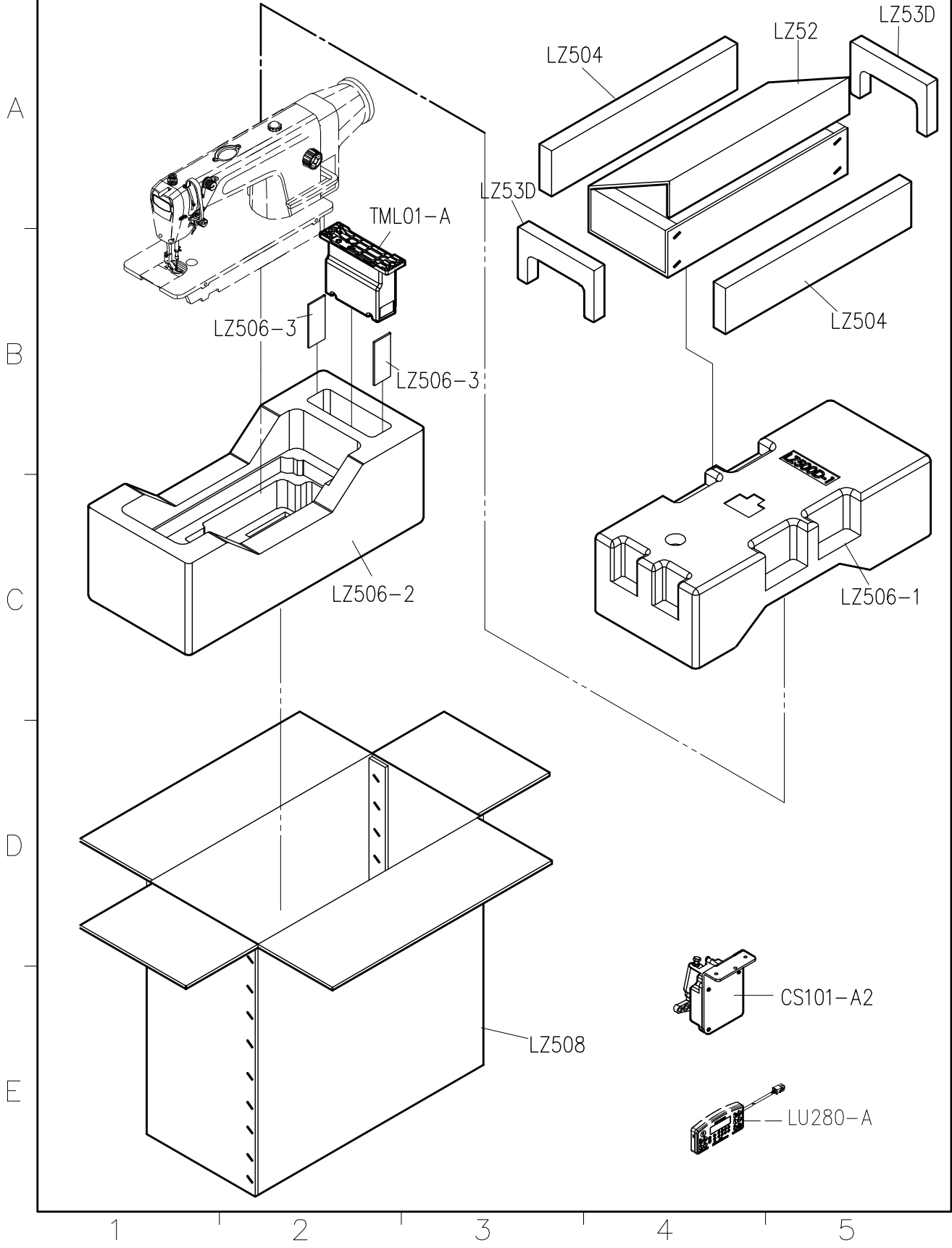


<b>SIRUBA</b> <b>PARTS LIST</b>	<b>Series</b>	<b>Parts Group</b>	<b>Subclass / Remark</b>	<b>Page</b>
	DL7000-NM1/NH1	LY		1/1
				<b>Date</b>
				2013/01/09

	LY01	LY02	YM04*2	LY05*2	YM102*2
A					
B		G3XX	LY502K	LY37-A	YM103*2
B					
C	針*2	LY38	MY12	KZ03*1	
C					
D	LY33	LY34	LY35	KY201	
D					
E					
	1	2	3	4	5



<b>SIRUBA</b> <b>PARTS LIST</b>	<b>Series</b>	<b>Parts Group</b>	<b>Subclass / Remark</b>	<b>Page</b>
	DL7000-NM1/NH1	<b>LZ</b>		1/1
				<b>Date</b>
				2013/01/01



<b>SIRUBA</b> <b>TABLE</b> <b>CUT - OUT</b>	<b>Series</b>	<b>Item Code</b>	<b>Subclass / Remark</b>	<b>Mounting</b>
	<b>DL918/DL7000</b>	<b>DL918T-T1</b>		<b>Fully-submerged</b>
				<b>Date</b>
				<b>2013/01/01</b>

