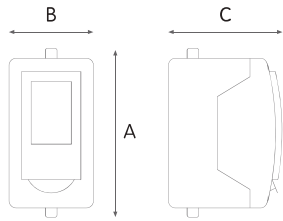




# KIT AUTO

## WORKING CONDITIONS

Max working pressure \_\_\_\_\_ 10 bar (145 psi)  
 Min differential pressure \_\_\_\_\_ 0,15 bar (2 psi)  
 Max working temperature \_\_\_\_\_ 45°C (113°F)  
 Min working temperature \_\_\_\_\_ 4°C (39°F)  
 Applicable fluid \_\_\_\_\_ water  
 pH range \_\_\_\_\_ 6,5 - 8,5



## KIT AUTO

### FOR SELF-CLEANING FILTERS

CODE MODEL

DIGITAL CONTROL PANEL  
DIMENSIONS mm

CODE	MODEL	DIGITAL CONTROL PANEL DIMENSIONS mm		
		A	B	C
RE7120024	KIT AUTO	195	80	100

## TECHNICAL FEATURES

### ELECTROVALVE

#### CONSTRUCTIONS

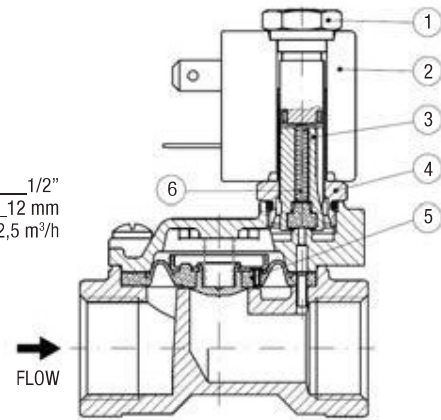
Body and cover: brass CW 617 N  
 Fitting: stainless steel AISI 304  
 Plunger and core: stainless steel AISI 304  
 Springs: stainless steel AISI 302  
 Diaphragm: EPDM

#### FEATURES

Junction \_\_\_\_\_ 1/2"  
 Conduit \_\_\_\_\_ 12 mm  
 Max discharge flow rate \_\_\_\_\_ 2,5 m³/h

#### SPARE PARTS LIST

1. Coil fixing nut
2. Coil
3. Plunger
4. Armature tube with core
5. Diaphragm
6. Spring



SELF-CLEANING  
FILTERS

### DIGITAL CONTROL PANEL

#### AUTOMATIC CONTROL

Minimum programmable period for back-wash \_\_\_\_\_ 2 h  
 Maximum programmable period for back-wash \_\_\_\_\_ 99 h  
 Minimum flushing time \_\_\_\_\_ 5 s  
 Maximum flushing time \_\_\_\_\_ 99 s

Power Supply \_\_\_\_\_ AC 50/60 Hz 230 V  
 Plug \_\_\_\_\_ CEE 7/4 (Shuko)  
 Power supply Cable Length \_\_\_\_\_ 1,8 m  
 Coil supply Cable Length \_\_\_\_\_ 1 m

#### MANUAL CONTROL

Manual actuation of the electrovalve \_\_\_\_\_ every 60 s

#### BOX

Protection degree: IP65  
 Dimensions: 150x100x80 mm

### COIL

Power Supply \_\_\_\_\_ AC 50/60 Hz 24V  
 Insulation class \_\_\_\_\_ F  
 Protection class with connector fixed \_\_\_\_\_ IP65