



# OASIS DP

## WORKING CONDITIONS

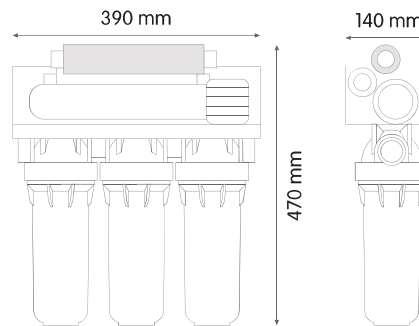
Max inlet pressure STD model _____ 8 bar (116 psi)	Max working temperature _____ 45°C (113°F)
Min inlet pressure STD model _____ 3 bar (45.5 psi)	Min working temperature _____ 4°C (39.2°F)
Max inlet pressure PUMP model _____ 3 bar (45.5 psi)	Max TDS _____ 1000 ppm
Min inlet pressure PUMP model _____ 0,5 bar (7.2 psi)	Membrane capacity _____ 50 GPD (190 l/day)



## OASIS DP STD

### RO UNIT WITH METAL WALL BRACKET

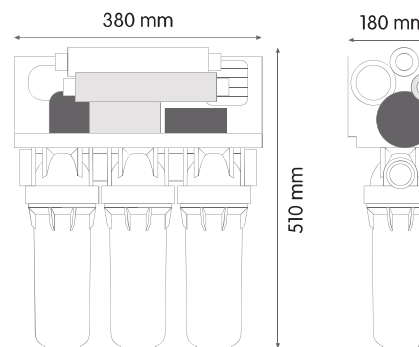
CODE	RE6075310
MODEL	OASIS DP TRIO 50 - STD
RO membrane	50 GPD - 1812



## OASIS DP PUMP

### RO UNIT WITH METAL WALL BRACKET

CODE	RE6075320
MODEL	OASIS DP TRIO 50 - PUMP
RO membrane	50 GPD - 1812



### DIAPHRAGM BOOSTER PUMP

SUPPLY POWER	220/110 V - 50/60 Hz
VOLTAGE	24 V
AMPERAGE	0,75 A
POWER	16 W
FLOW AT 5,5 bar (80 psi)	0,75 l/min (0,19 GPM)
OPEN FLOW	1 l/min (0,26 GPM)
MAX OUTPUT PRESSURE	8 bar (116 psi)



DRINKING WATER UNITS



### COMPLETE WITH METAL STORAGE TANK

- 12 liters (3.2 gallons)