

SIRUBA PARTS LIST	Series	Parts Group	Subclass / Remark	Page
	HF008	FBQ		1/7
				Date
				2015/07/09

針距	成品尺寸	喇叭代號	適用處
5.6	9(mm)	FBQ14A	男女西服
5.6	10	FBQ14B	
6.4	12	FBQ14C	牛仔布類

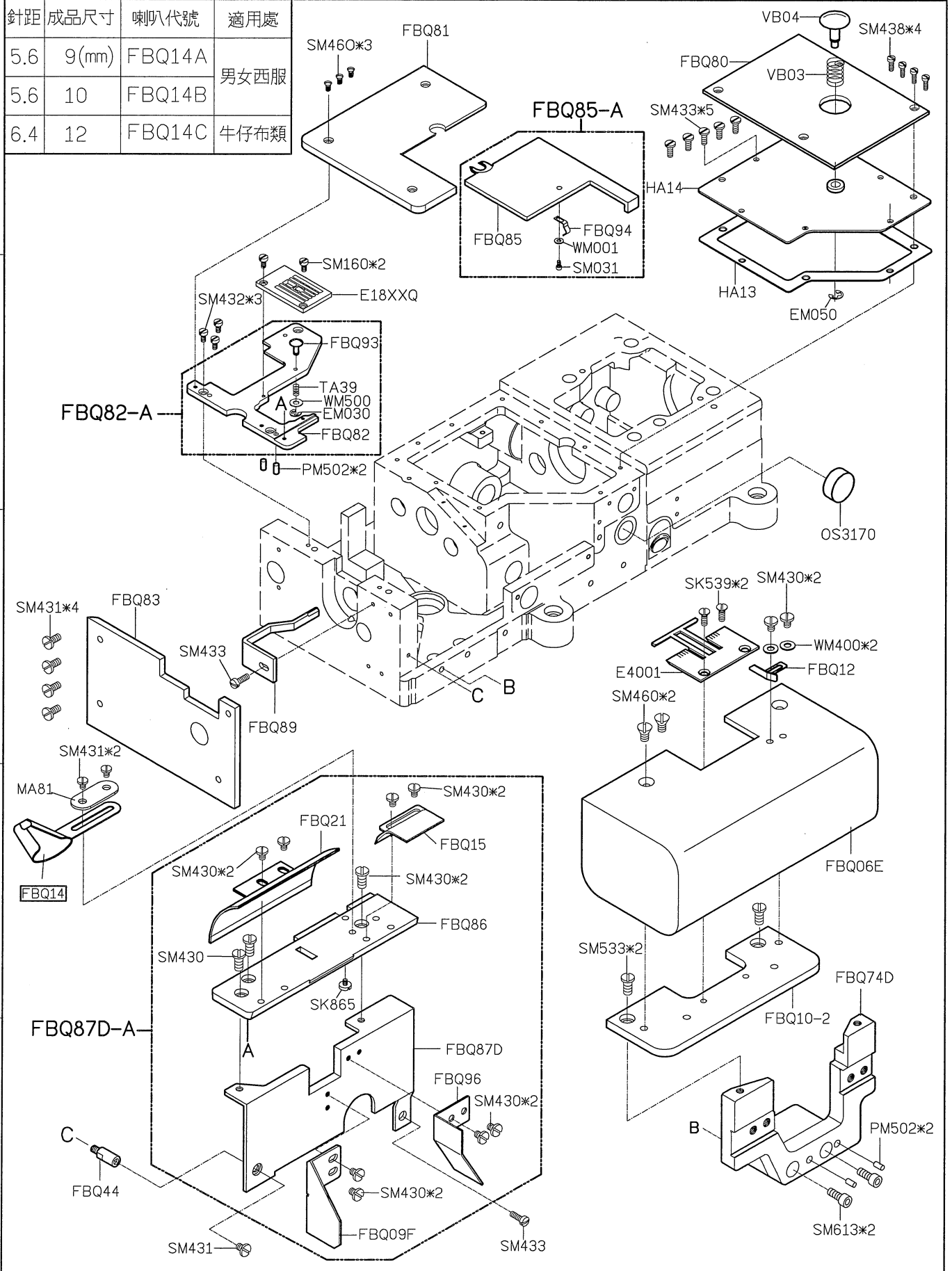
A

B

C

D

E



1 2 3 4 5

SIRUBA PARTS LIST	Series	Parts Group	Subclass / Remark	Page
	HF008	FBQ		2/7
				Date
				2012/08/25

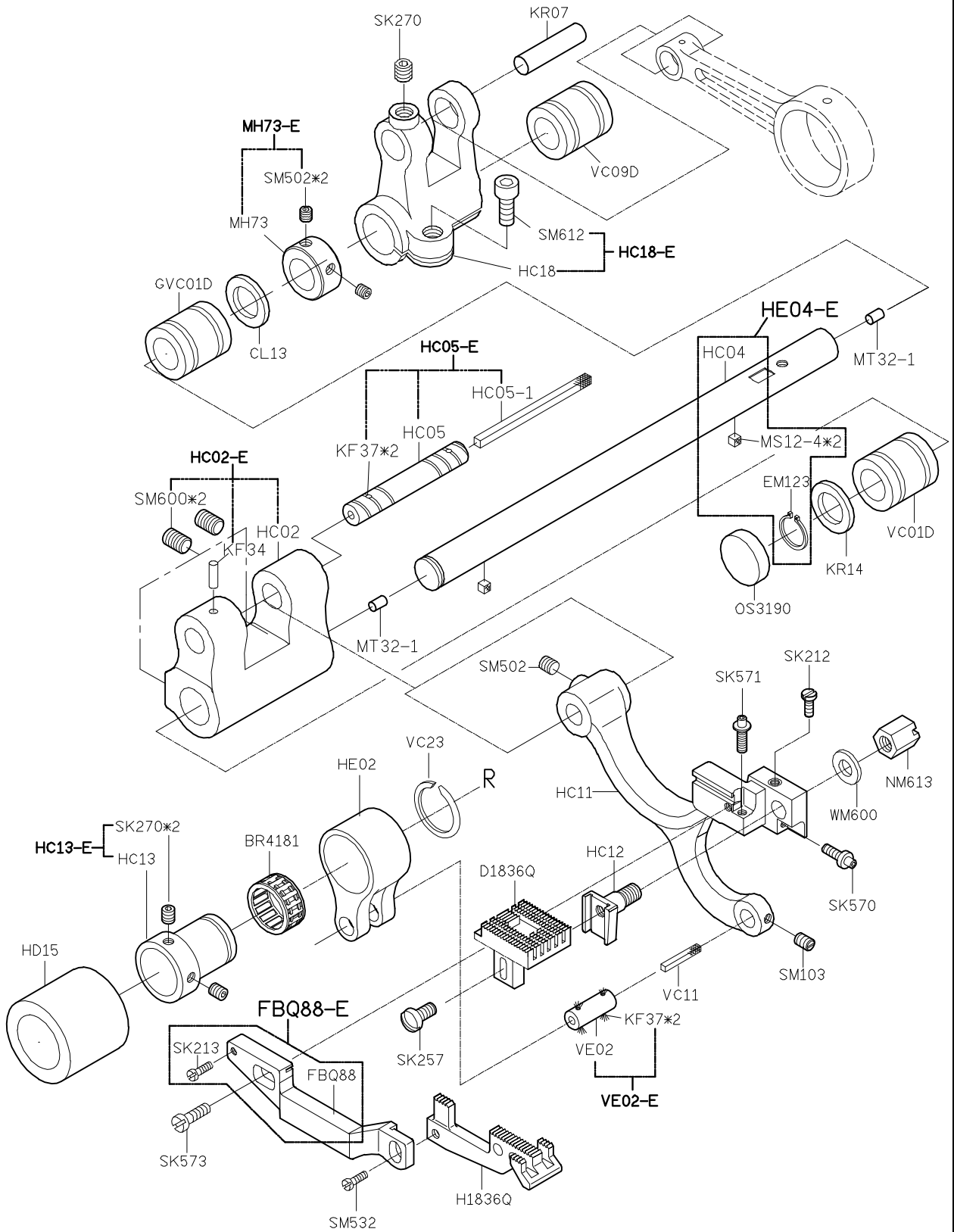
A

B

C

D

E



1

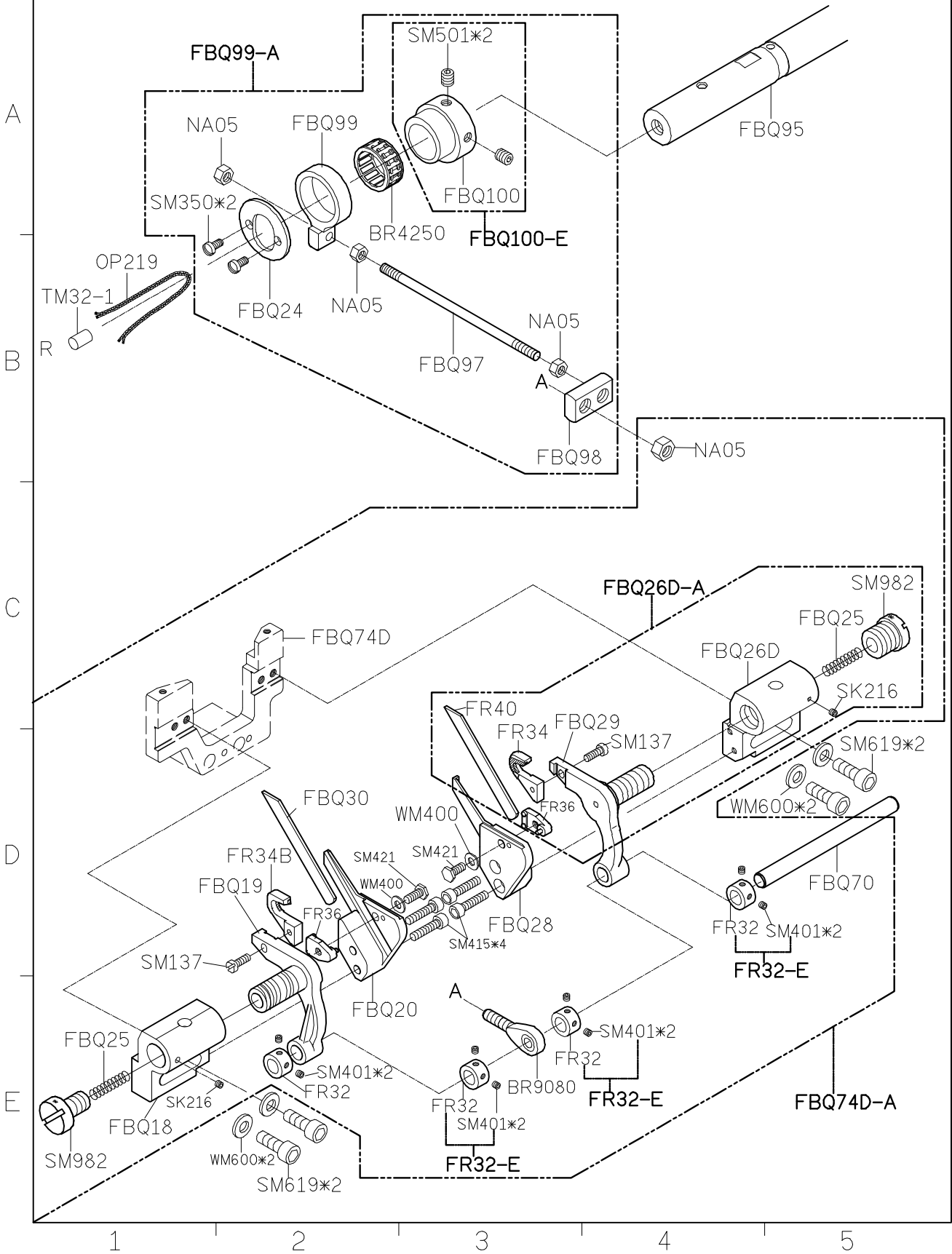
2

3

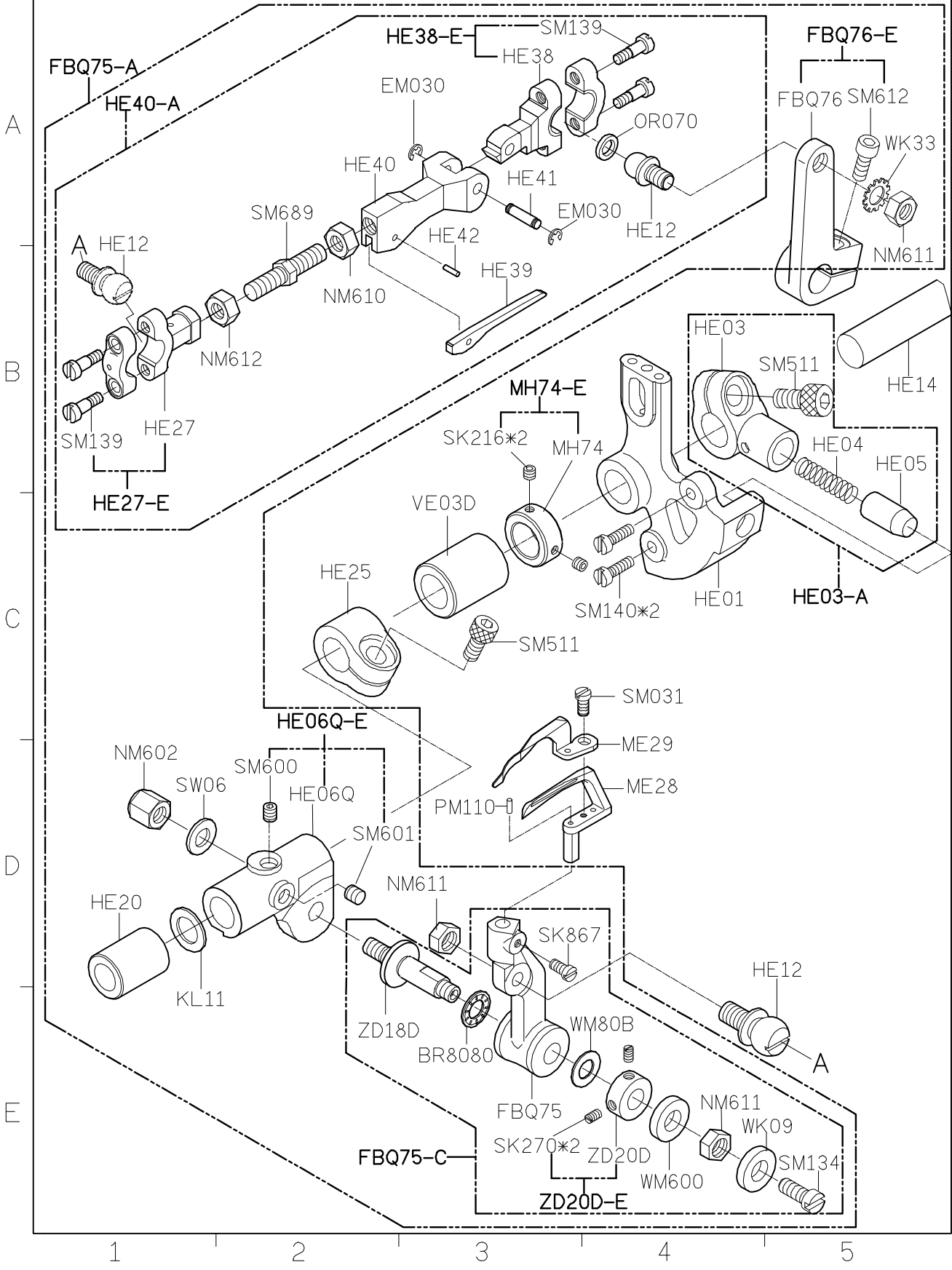
4

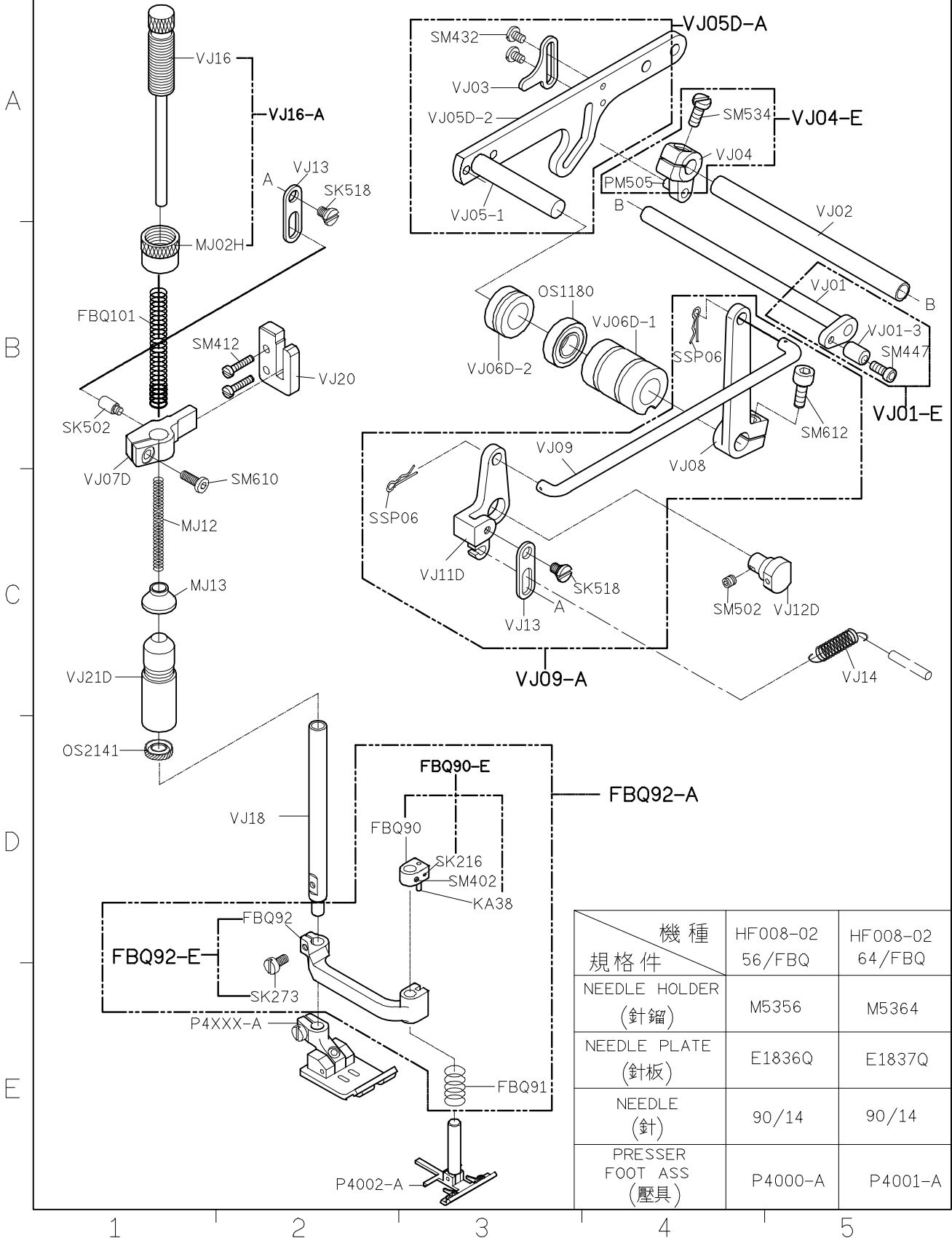
5

SIRUBA PARTS LIST	Series	Parts Group	Subclass / Remark	Page
	HF008	FBQ		3/7
				Date
				2012/08/25

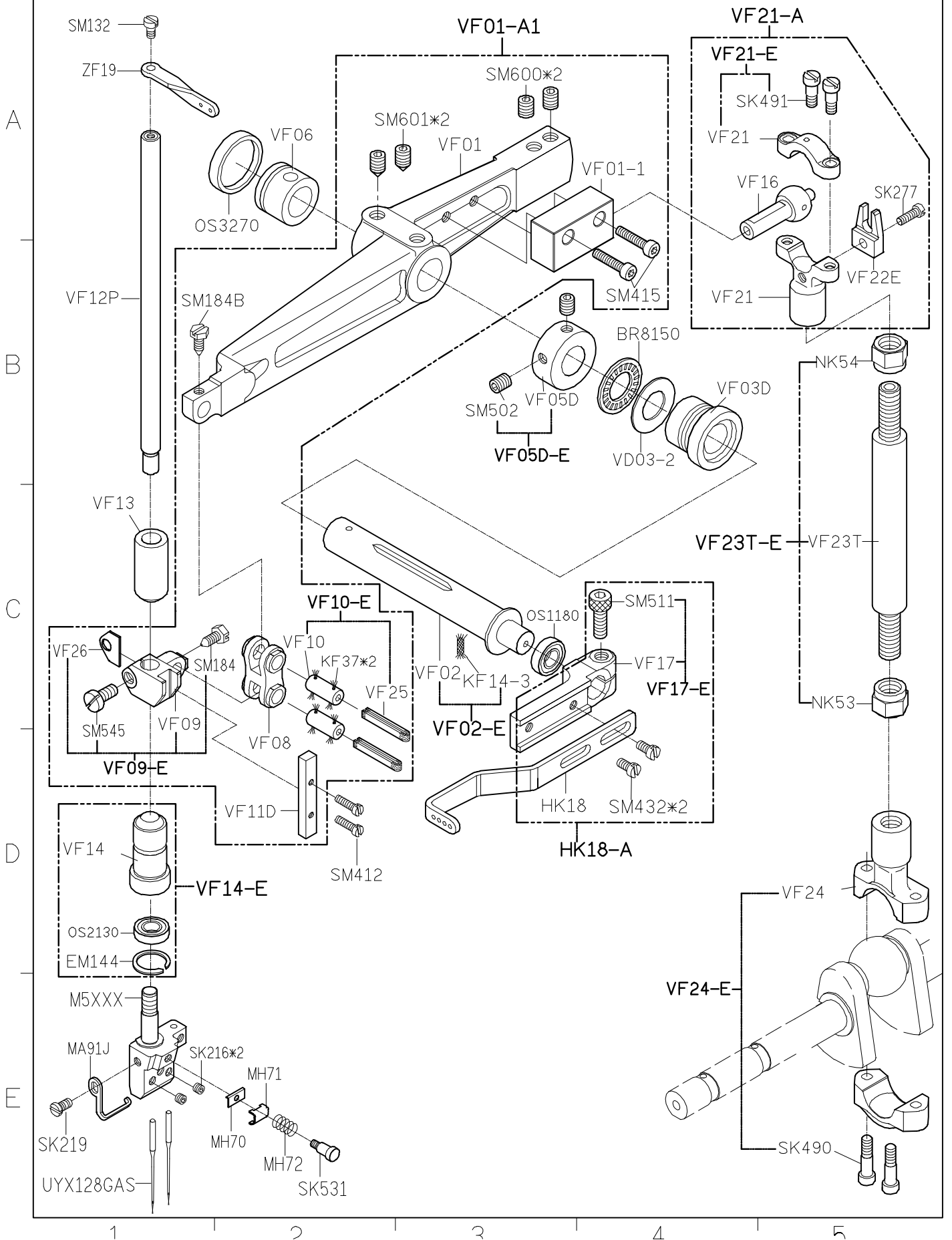


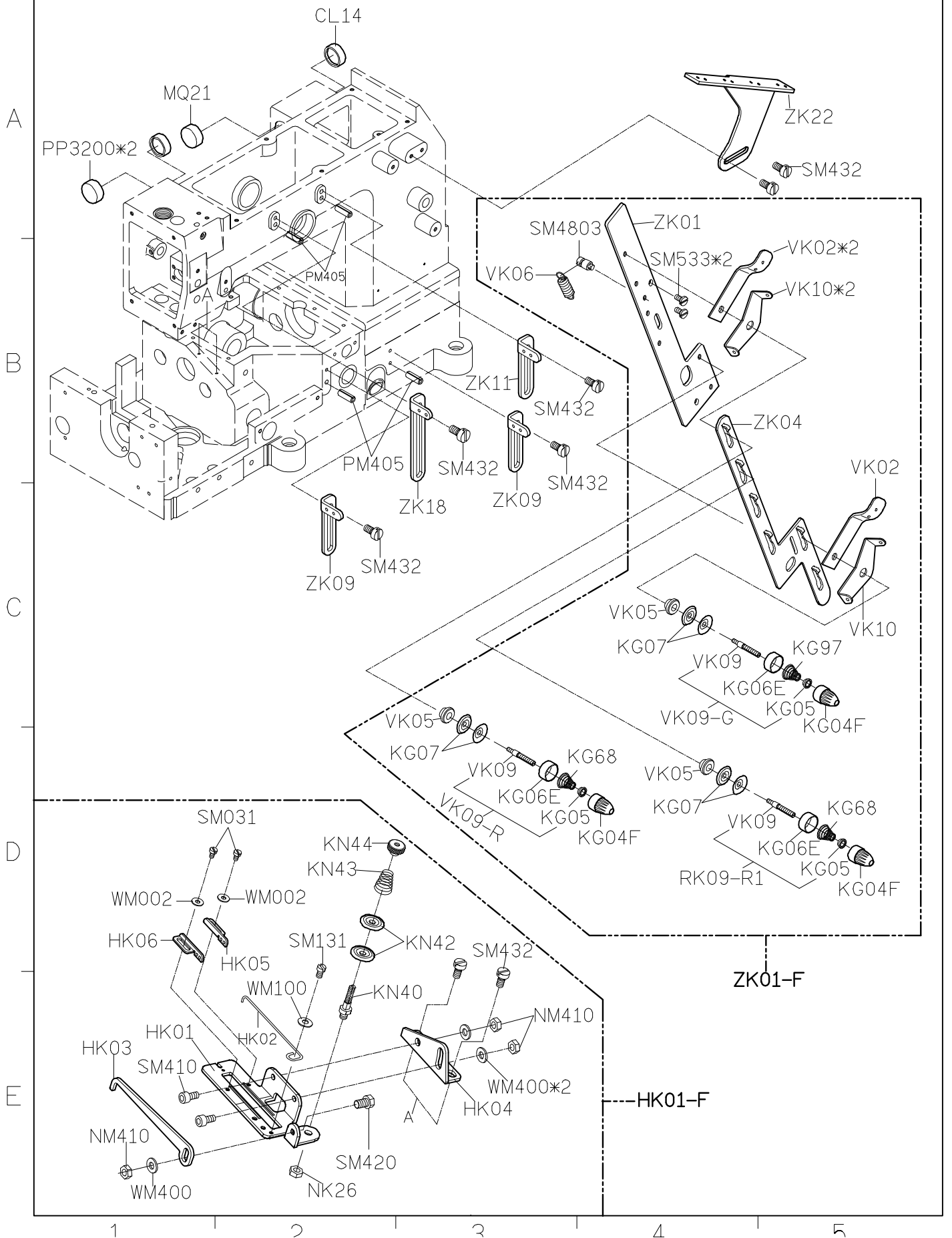
SIRUBA PARTS LIST	Series	Parts Group	Subclass / Remark	Page
	HF008	FBQ		4/7
				Date
				2012/09/25





機種	HF008-02	HF008-02
規格件	56/FBQ	64/FBQ
NEEDLE HOLDER (針鐮)	M5356	M5364
NEEDLE PLATE (針板)	E1836Q	E1837Q
NEEDLE (針)	90/14	90/14
PRESSER FOOT ASS (壓具)	P4000-A	P4001-A





HF008 PARTS LIST FOR HAC GROUP P.1/9

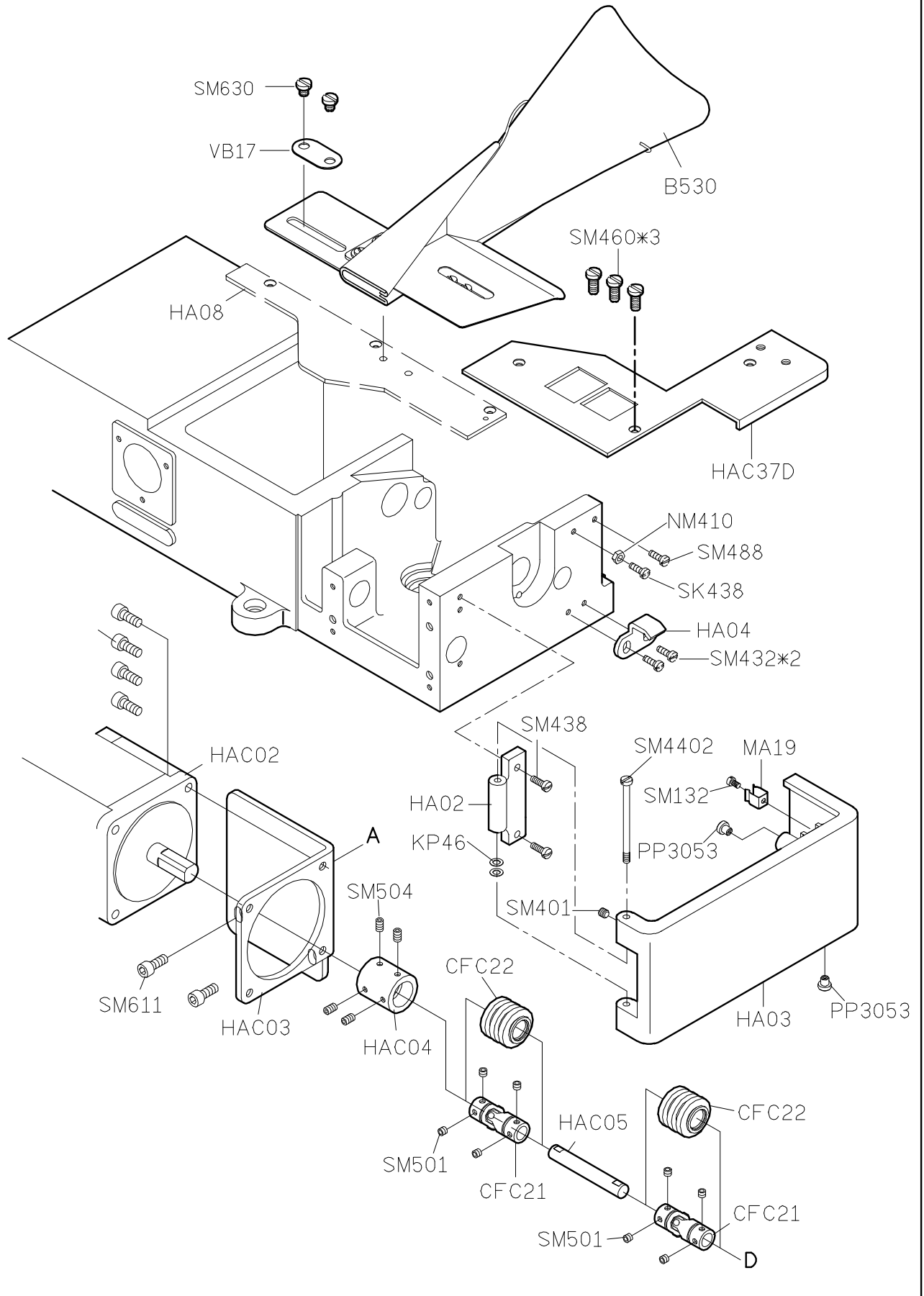
A

B

C

D

E



1

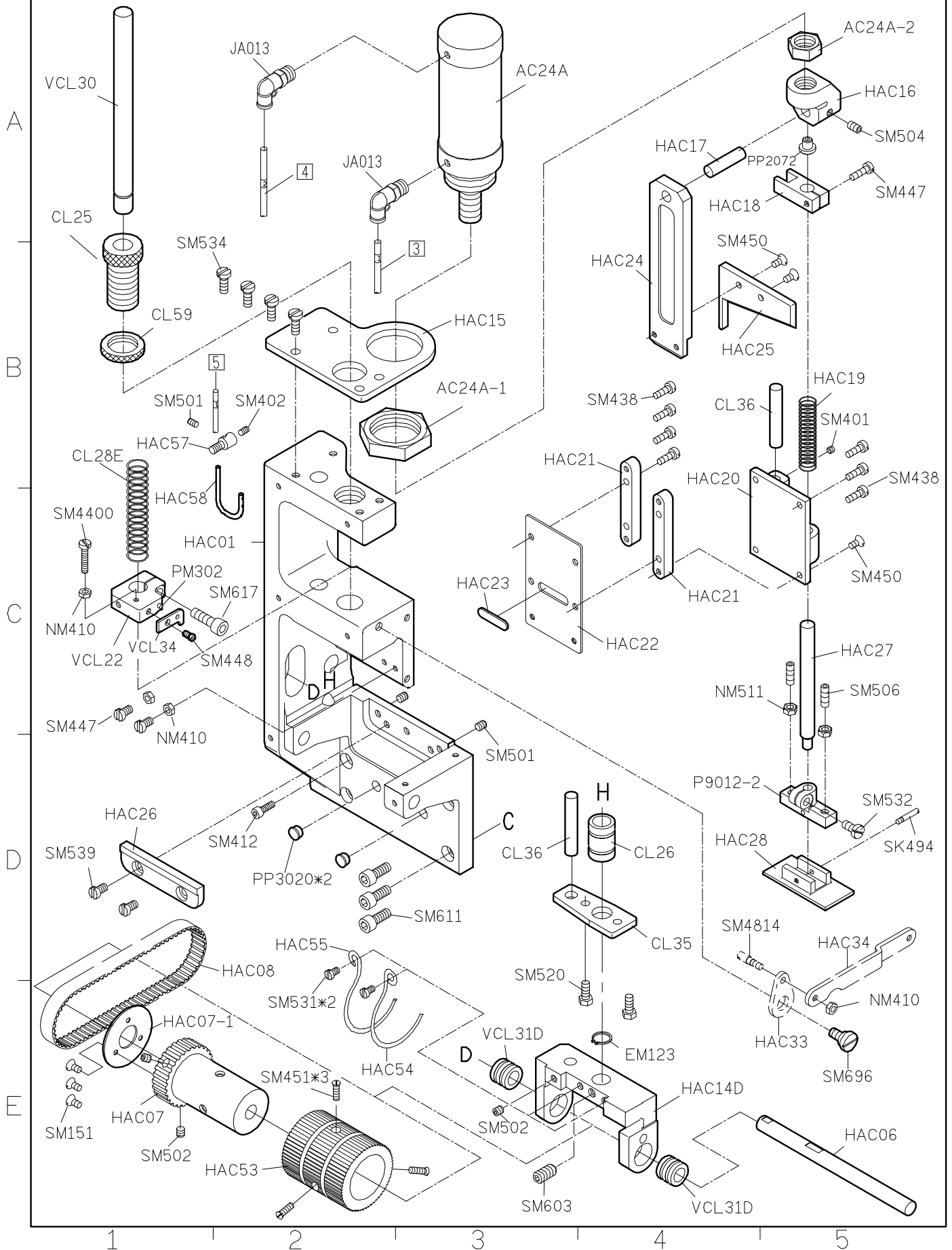
2

3

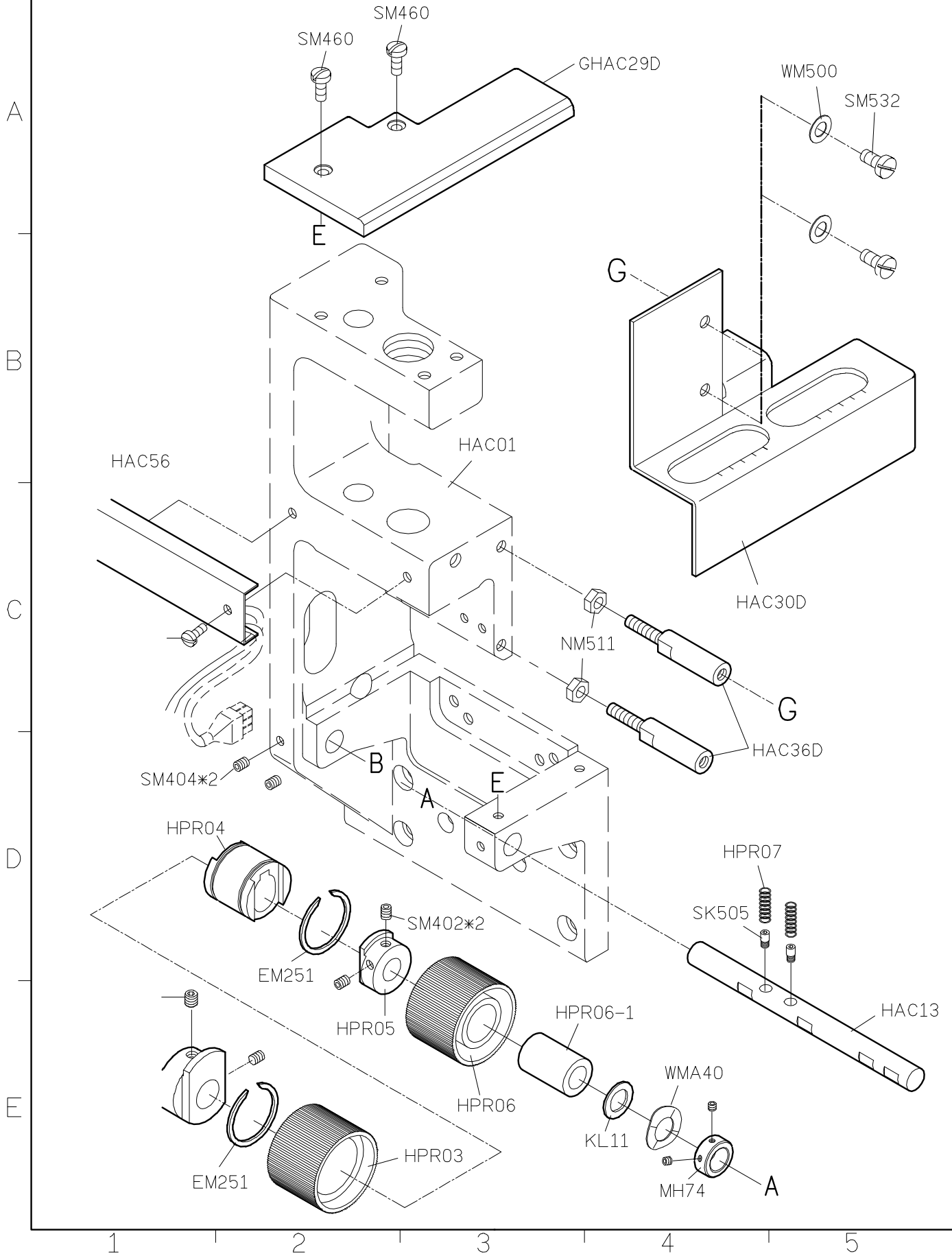
4

5

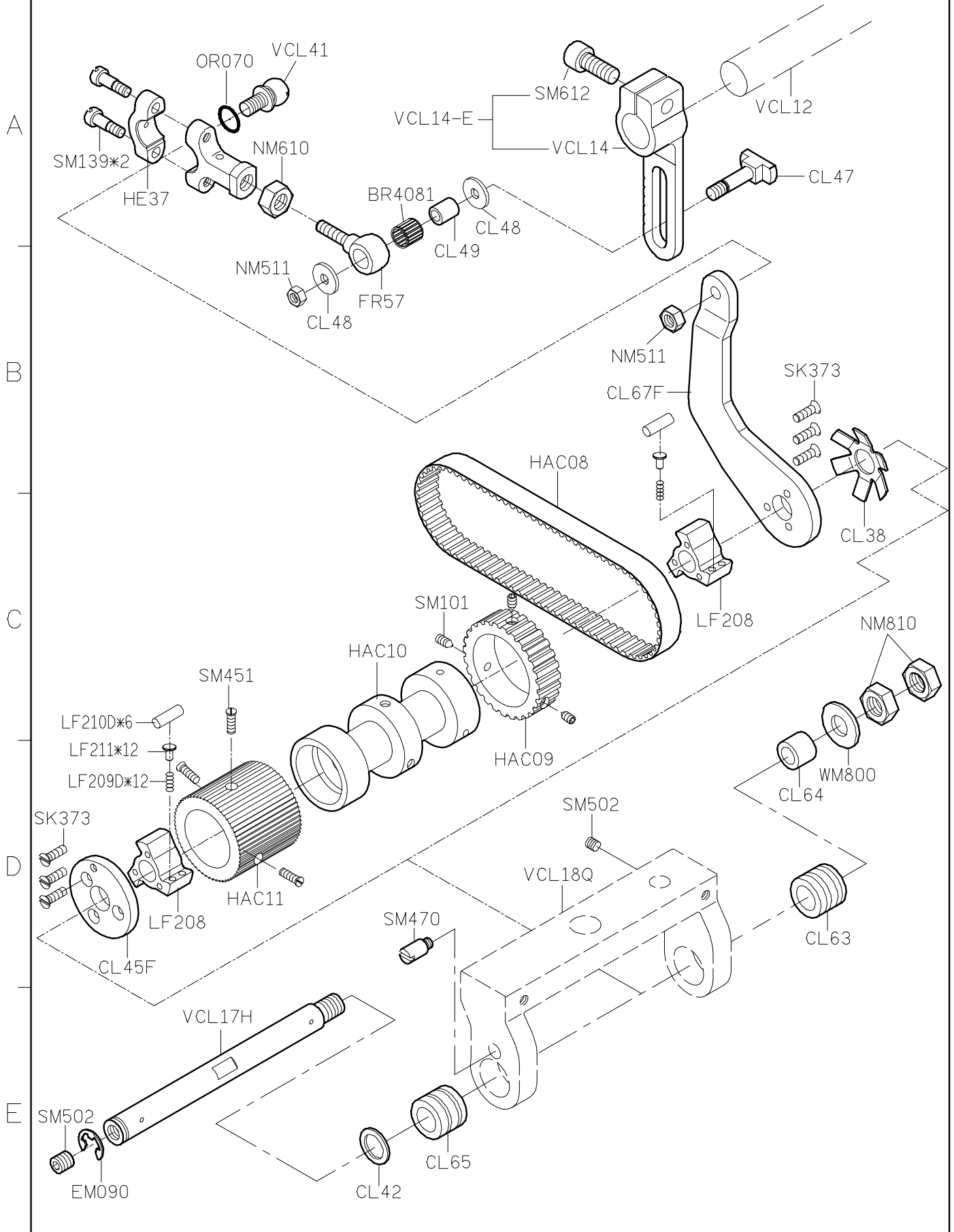
HF008 PARTS LIST FOR HAC GROUP P.2/9



HF008 PARTS LIST FOR HAC GROUP P.3/9



HF008 PARTS LIST FOR HAC GROUP P.4/9



HF008 PARTS LIST FOR HAC GROUP P.6/9

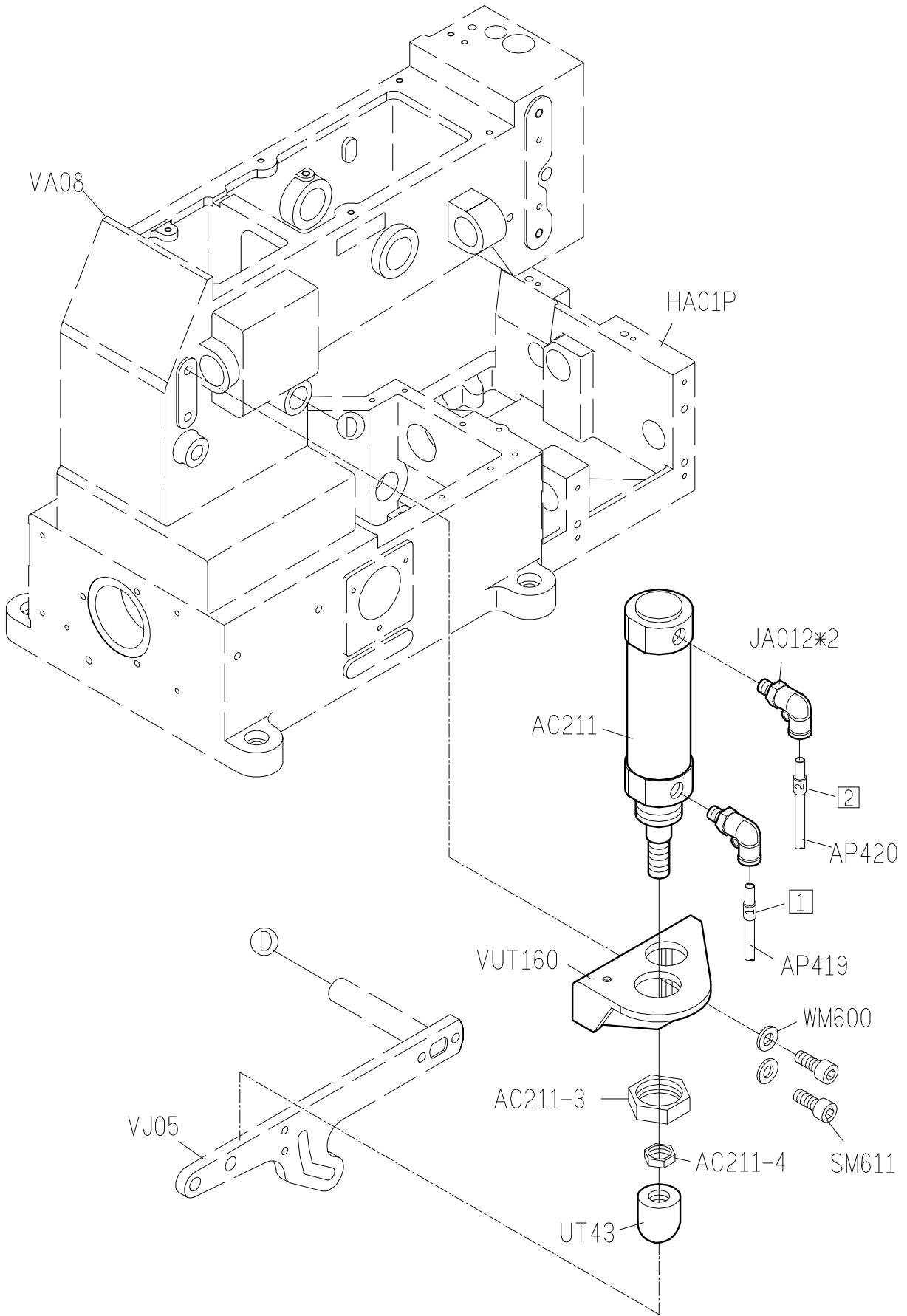
A

B

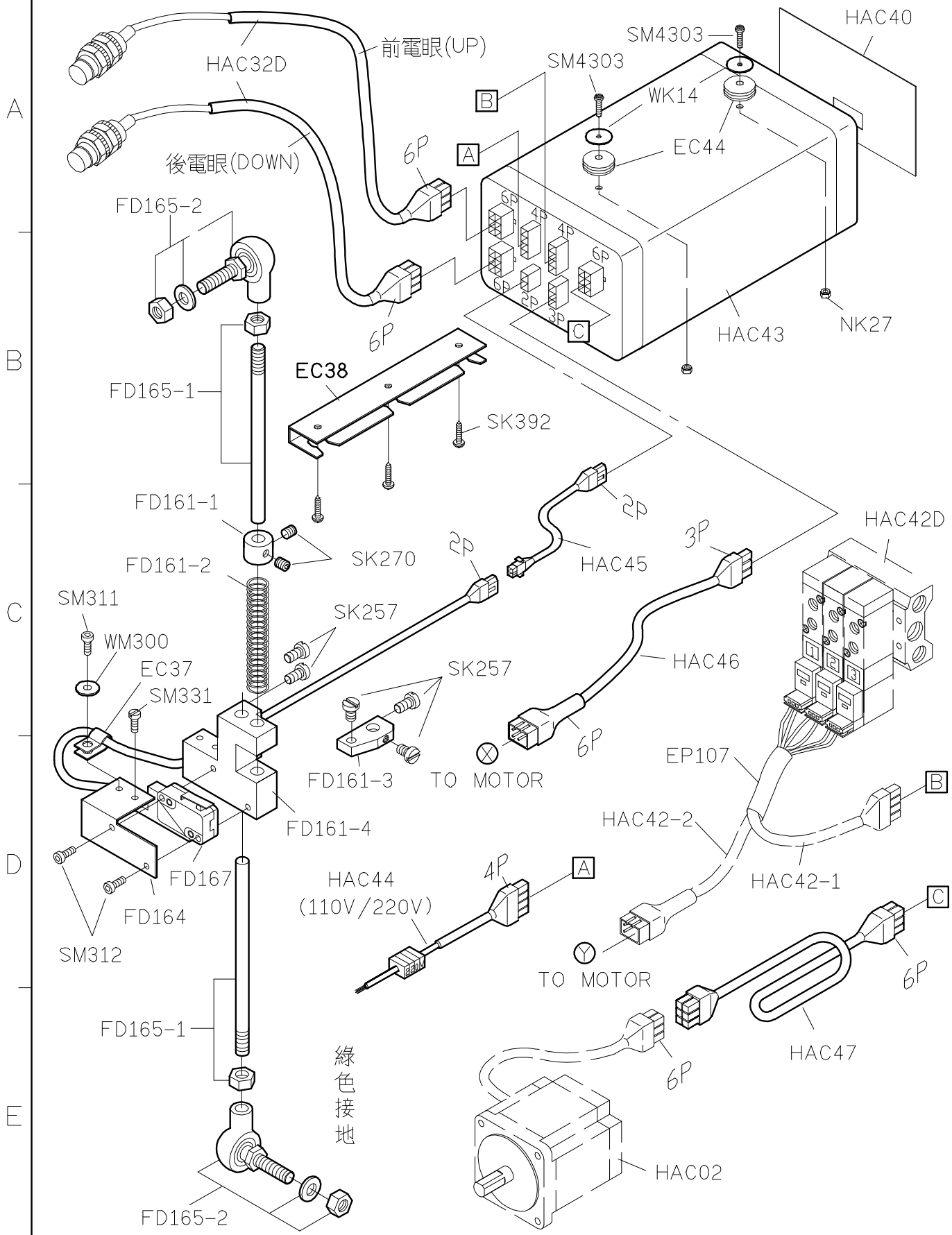
C

D

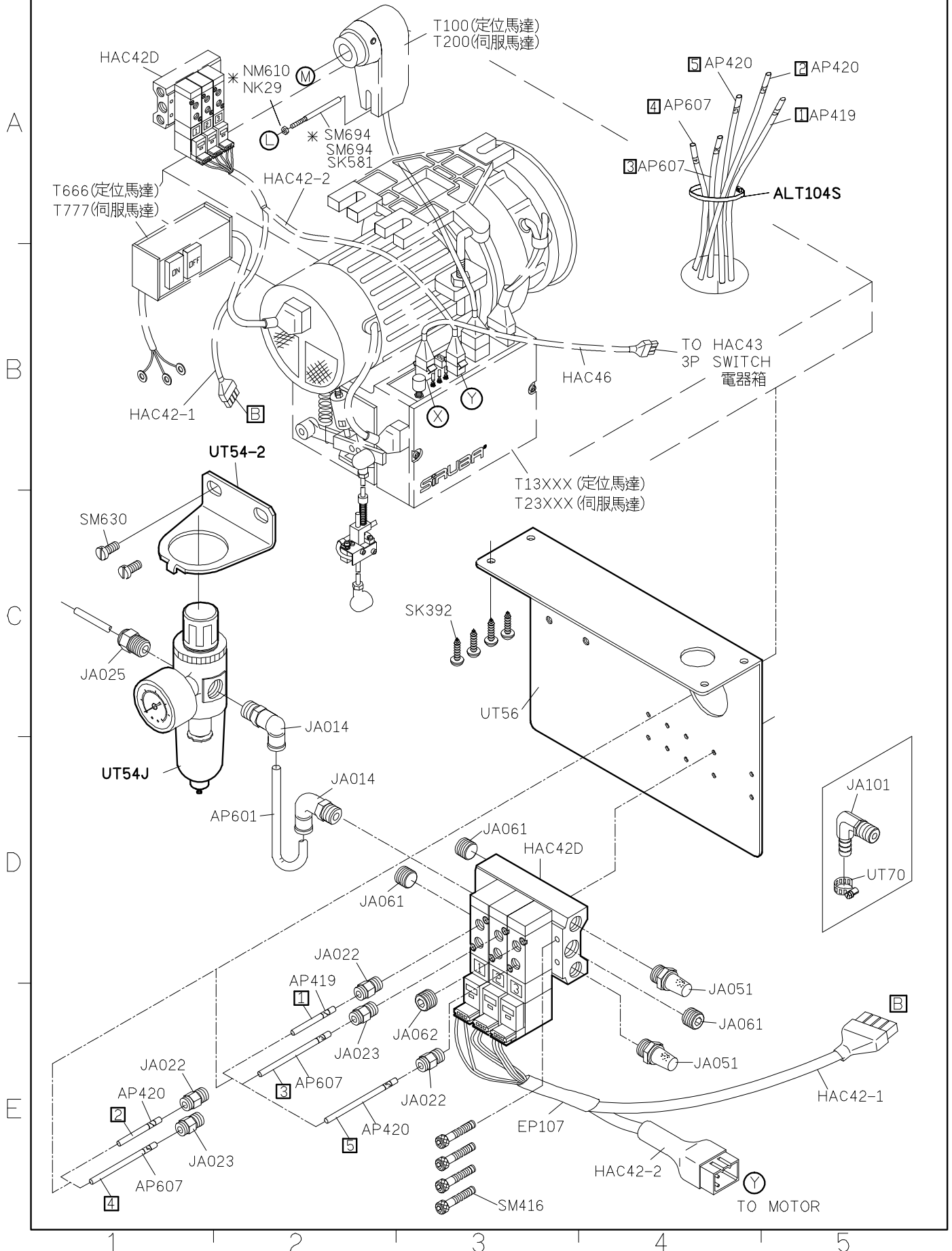
E



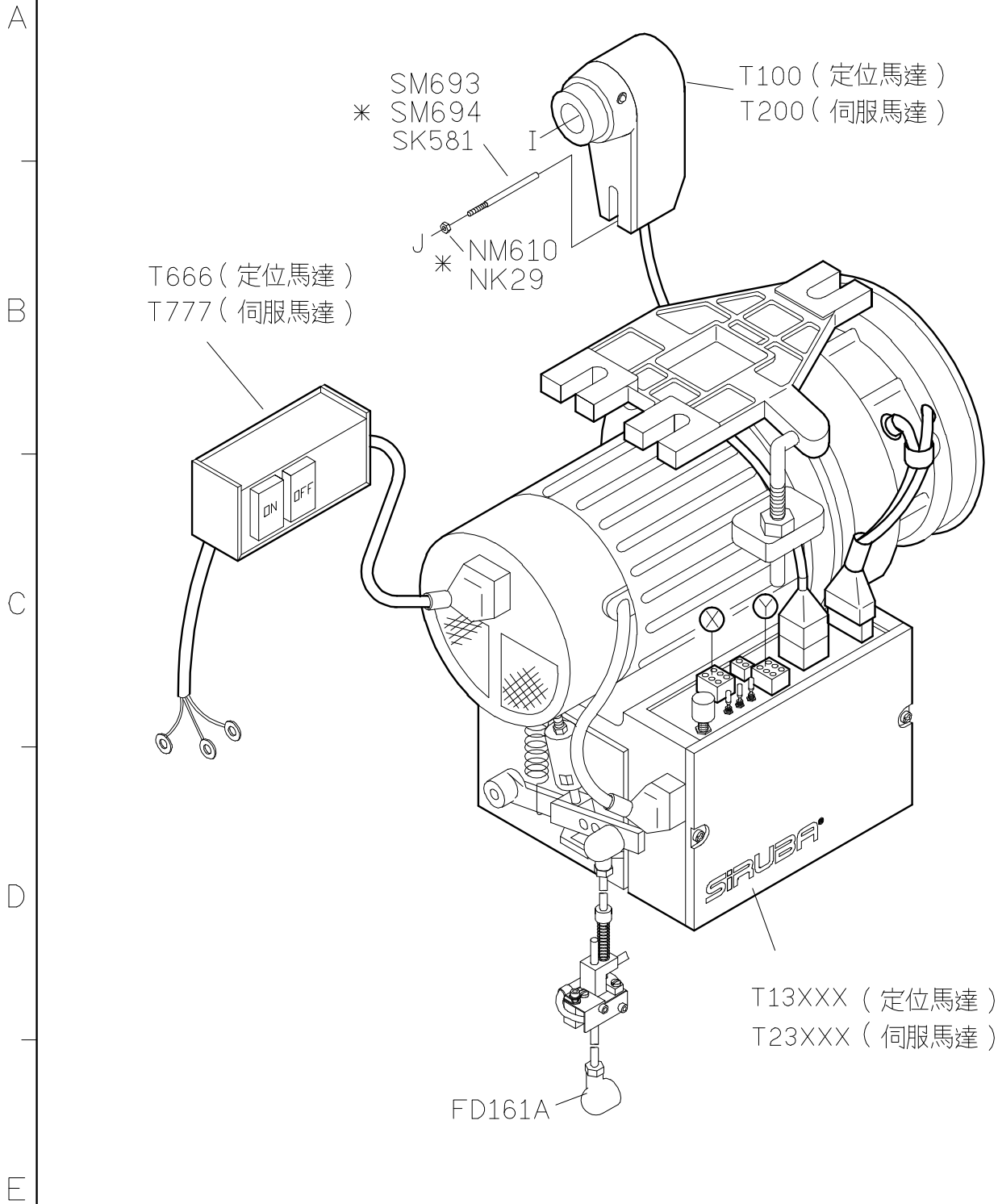
HF008 PARTS LIST FOR HAC GROUP P.7/9



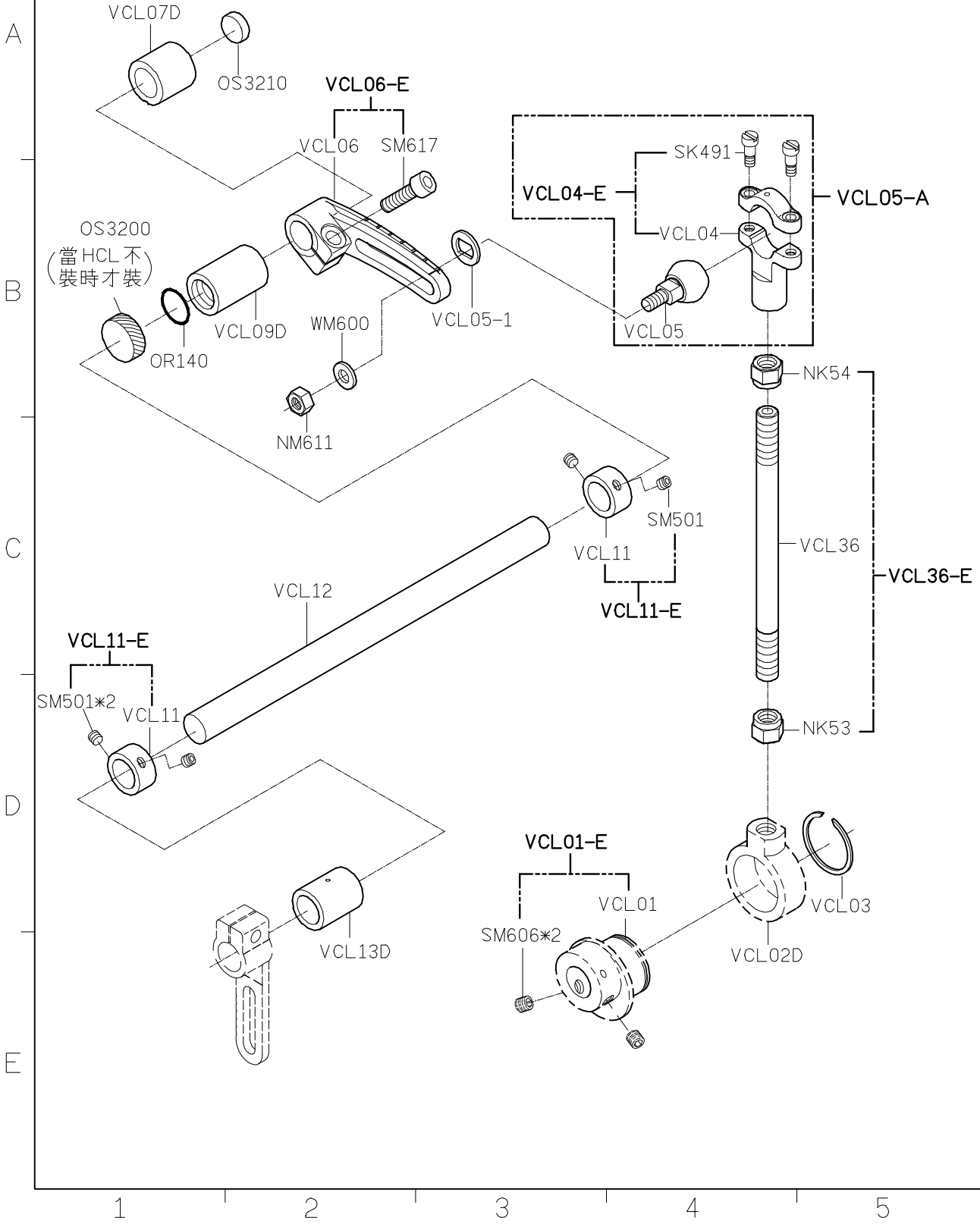
HF008 PARTS LIST FOR HAC GROUP P.8/9



HF008 PARTS LIST FOR HAC GROUP P.9/9

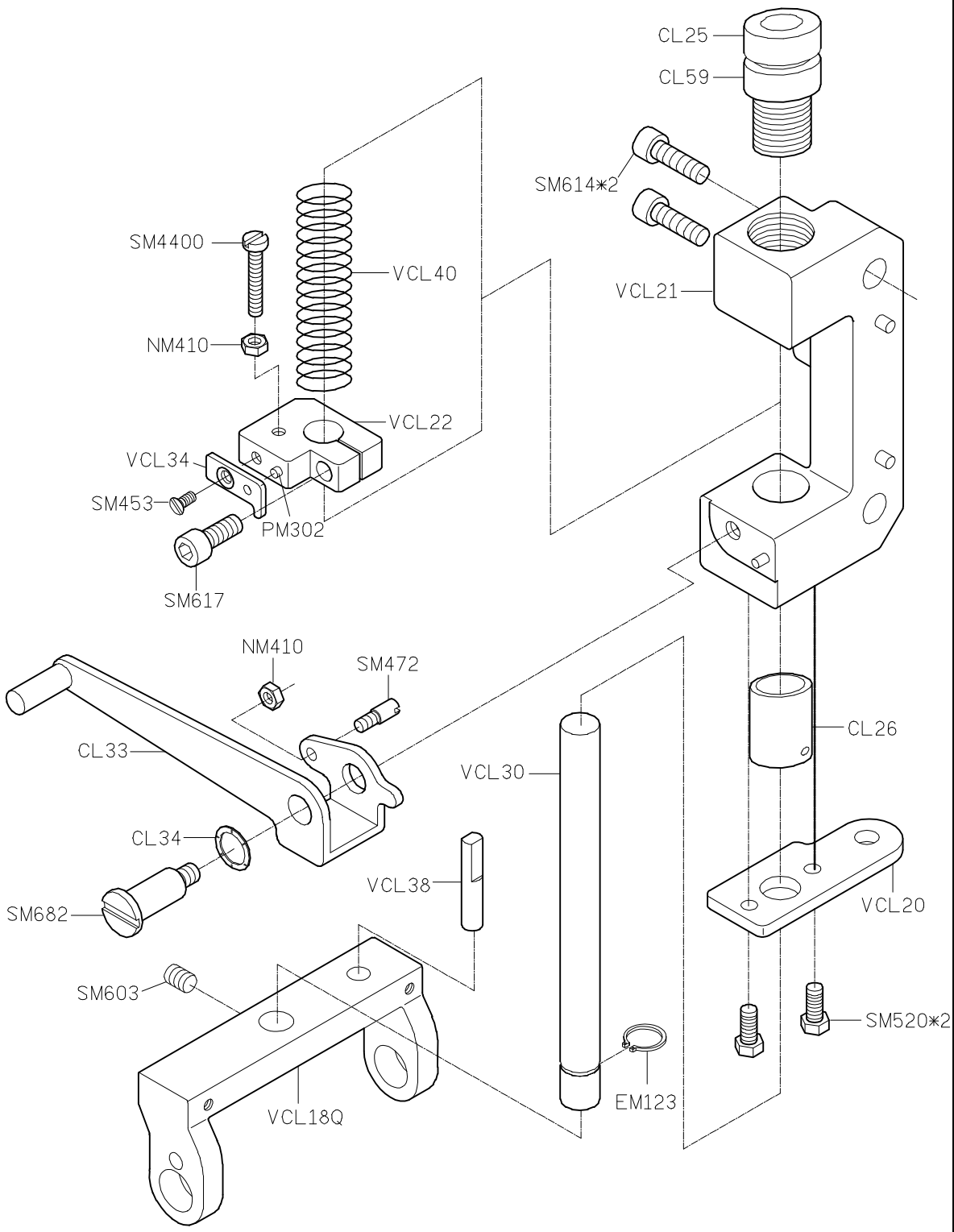


SIRUBA PARTS LIST	Series	Parts Group	Subclass / Remark	Page
	HF008	HCL		1/3
				Date
				2012/08/25



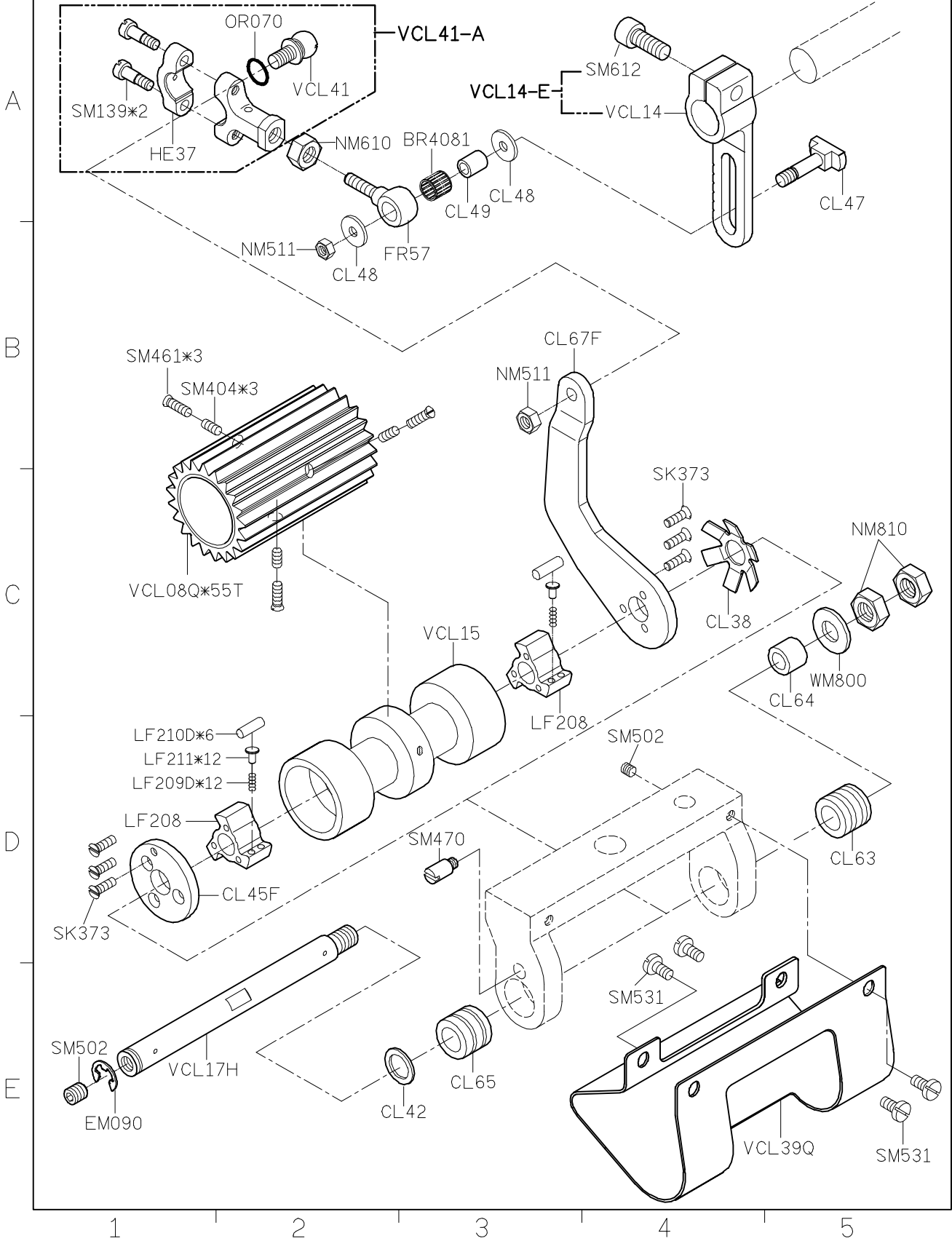
SIRUBA PARTS LIST	Series	Parts Group	Subclass / Remark	Page
	HF008	HCL		2/3
				Date
				2012/08/25

A
B
C
D
E

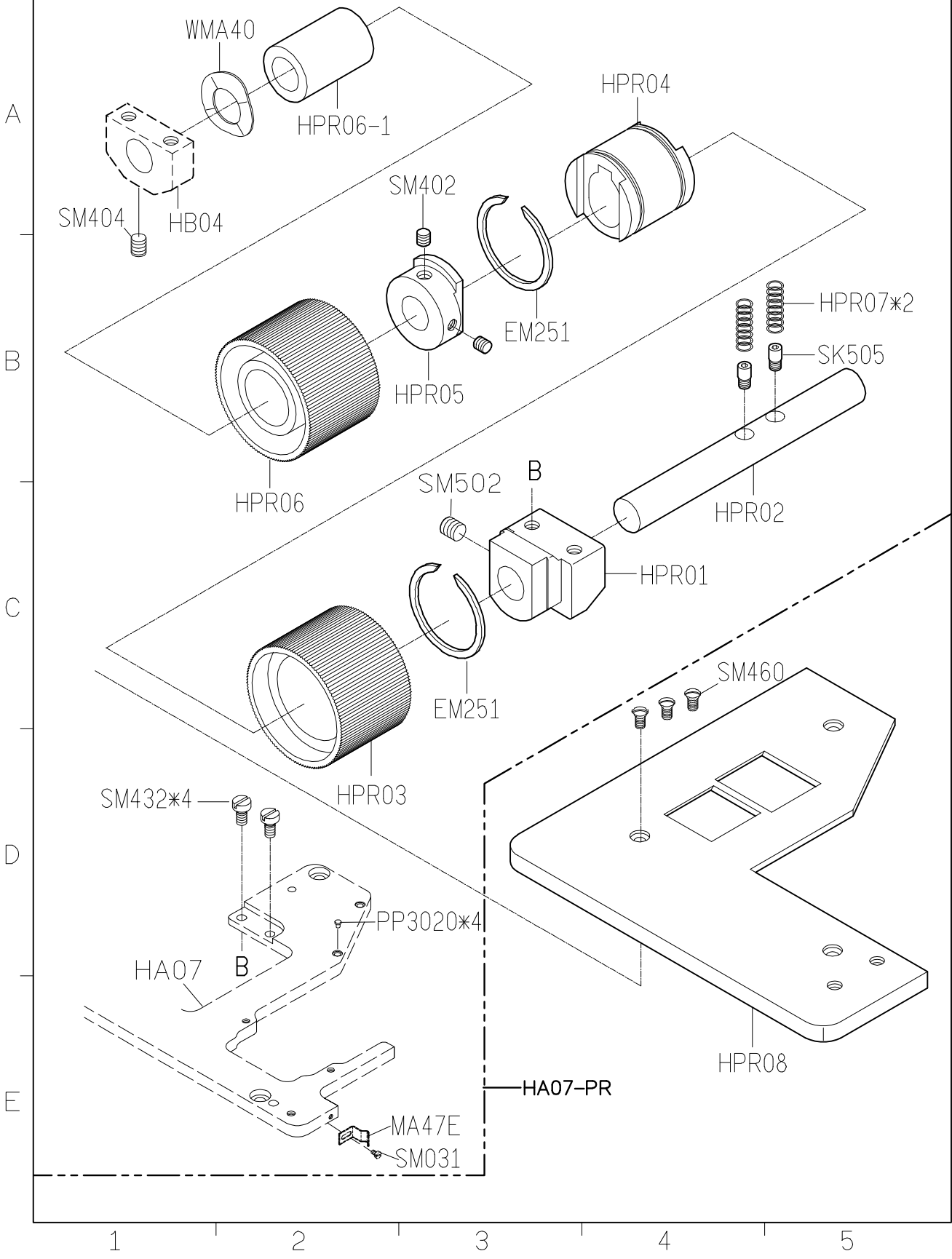


1 2 3 4 5

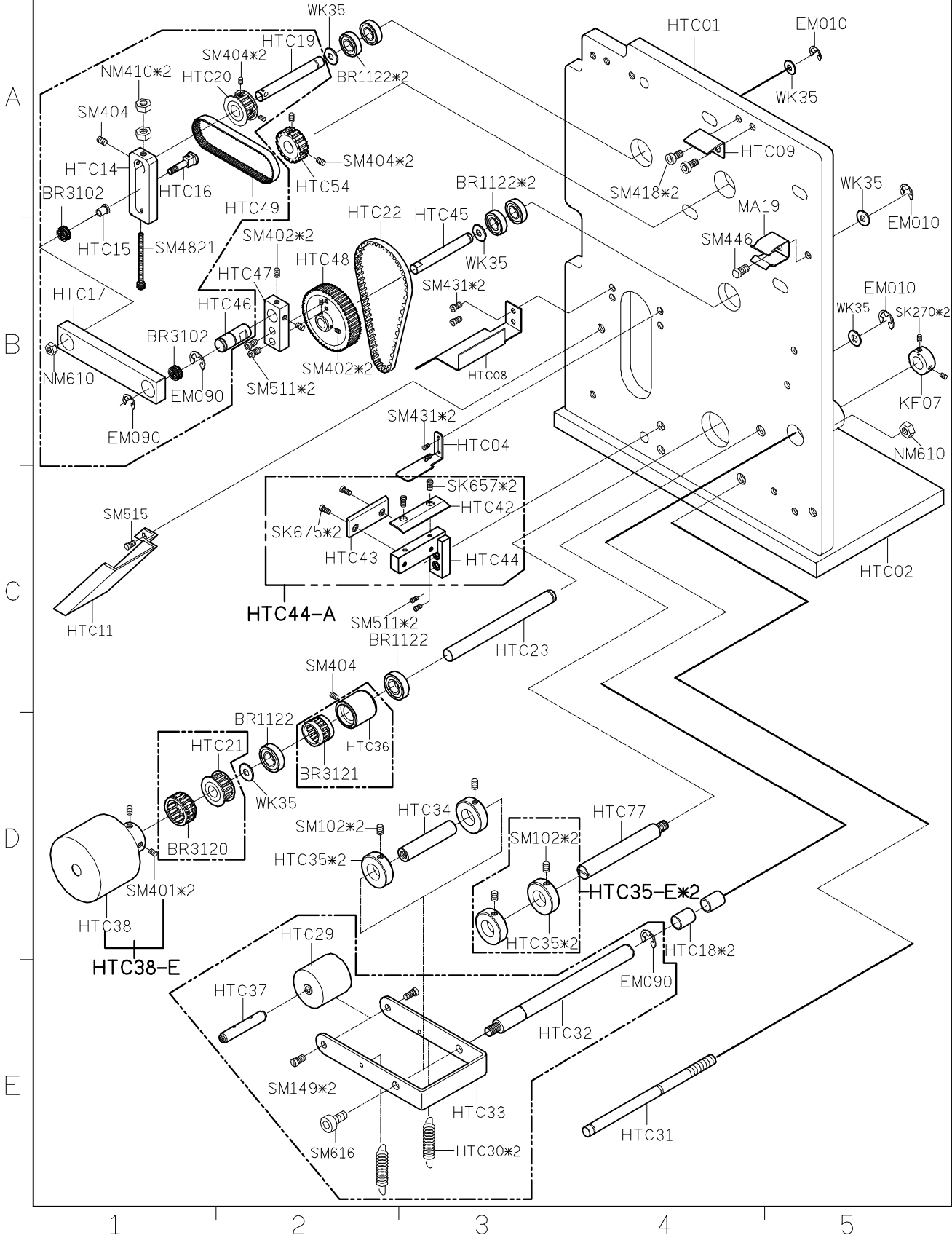
SIRUBA PARTS LIST	Series	Parts Group	Subclass / Remark	Page
	HF008	HCL		3/3
				Date
				2012/08/25



SIRUBA PARTS LIST	Series	Parts Group	Subclass / Remark	Page
	HF008	HPR		1/1
				Date
				2012/08/25



SIRUBA PARTS LIST	Series	Parts Group	Subclass / Remark	Page
	HF008	HTC		1/4
				Date
				2012/11/23

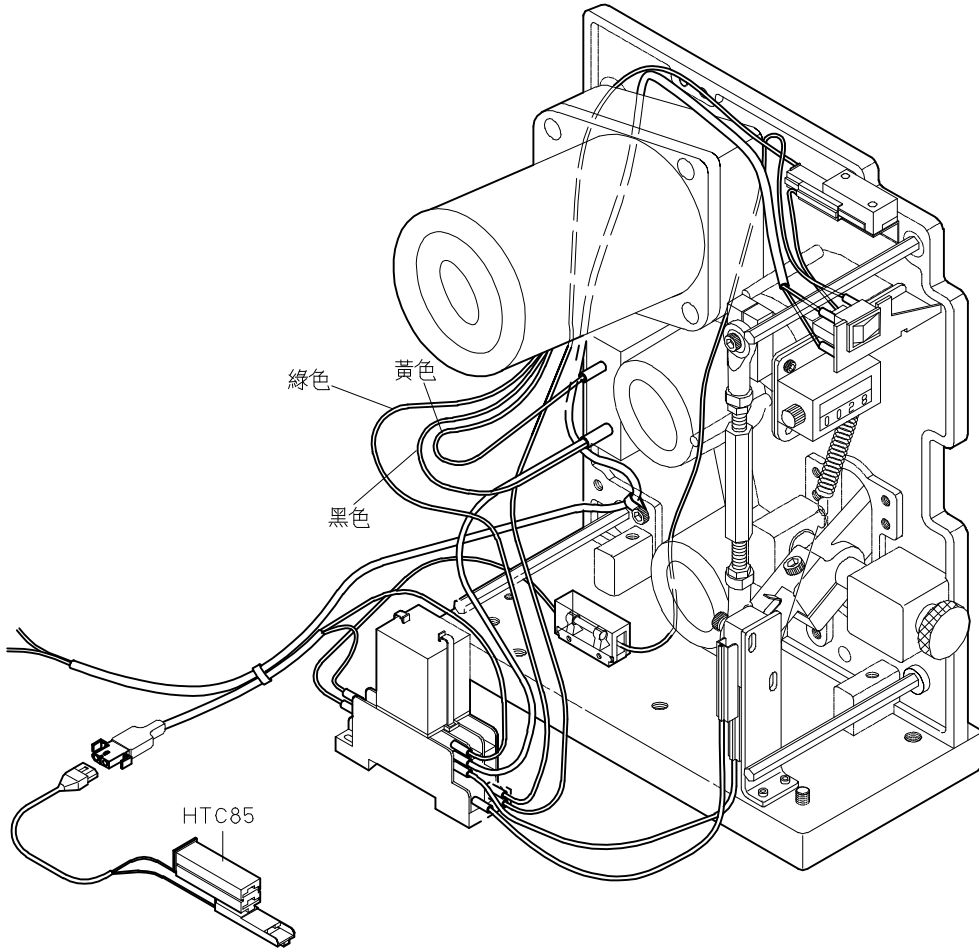


SIRUBA PARTS LIST	Series	Parts Group	Subclass / Remark	Page
	HF008	HTC		4/4
				Date
				2012/08/25

A

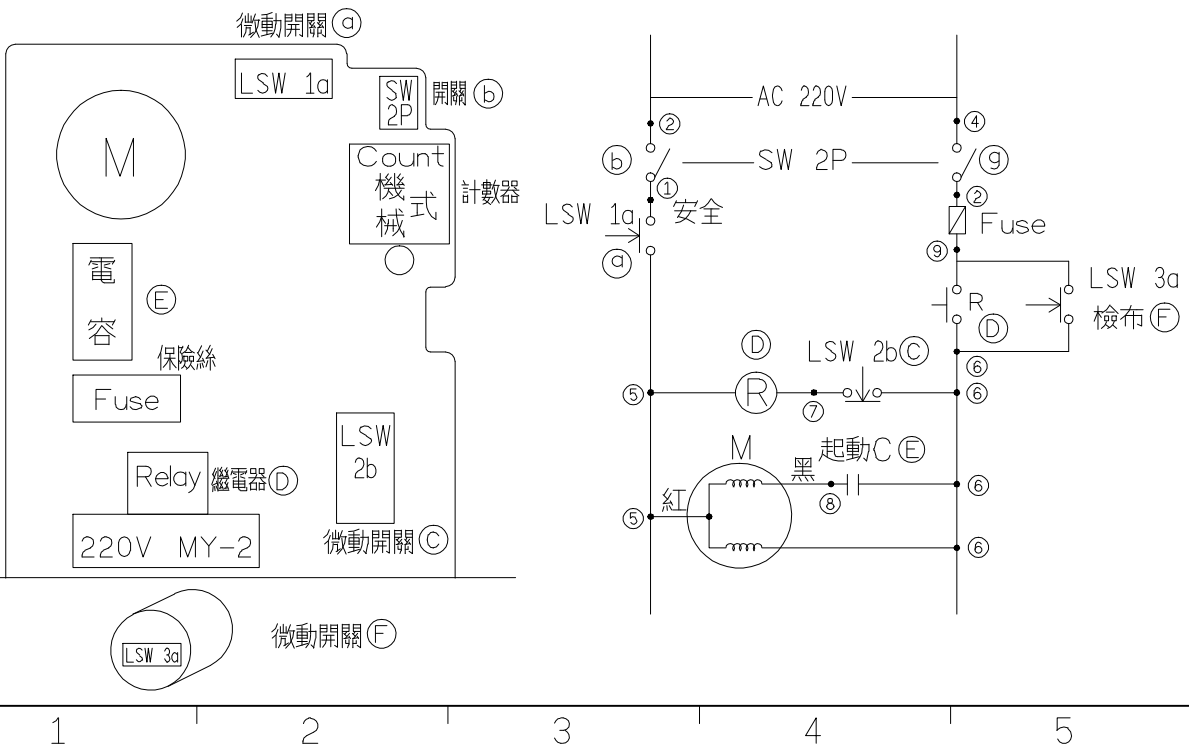
B

C



D

E



1

2

3

4

5

SIRUBA PARTS LIST	Series	Parts Group	Subclass / Remark	Page
	HF008	HWL		2/2
				Date
				2012/08/25

