

7-16 DIN Male Connector for 1/2" Coaxial Cable, OMNI FIT™ Premium, Right Angle, Polymer claw and compression sealing

OMNI FIT™ high performance connectors are designed for use with both CELLFLEX® (copper) and CELLFLEX® Lite (aluminium) cables. They are designed specifically to provide the highest quality connector-cable interface while simplifying and speeding up connector attachment. All RFS connectors are fully tested for mechanical and electrical compliance to industry specifications. The 7-16 connector is the most rugged RF connection meeting all requirements even under the most severe environmental conditions. Sealing against outer conductor and jacket by means of the polymer claw and 360° compression fit. Multifunctional, self-lubricating HighTech polymer assembly locks on cable corrugation, avoids electrochemical potential differences and compression-fits to the jacket.



OMNI FIT™ Premium
Connectors

FEATURES / BENEFITS

- ⊕ Ultra high PIM performance i.e. reduced interference leading to high customer satisfaction
- ⊕ Two-piece design i.e. visual inspection of interlocking leads to improved installation security
- ⊕ OMNI FIT™ concept i.e. streamlined order management and reduced stock level
- ⊕ Watertight sealing in mated and unmated condition, i.e. reduced efforts during installation and improved security during operation
- ⊕ Unique NiTin plating i.e. extreme resistance against corrosion even under hardest climatic and environmental circumstances
- ⊕ Multi-thread (Tristart) design i.e. simplified and accelerated tightening process
- ⊕ RoHS (EU) and CRoHS (China) compliant i.e. can be used on a global basis

Technical Features

GENERAL SPECIFICATIONS

| | | |
|------------------------|--|---------------------------------|
| Transmission Line Type | | Coaxial Cable |
| Cable Size | | 1/2" |
| Cable Type | | Foam Dielectric |
| Model Series | | LCF12-50 Series CA12-50 Series |
| Connector Interface | | 7-16 DIN |
| Connector Type | | OMNI FIT™ PREMIUM Right Angle |
| Sealing Method | | Polymer claw + 360° Compression |
| Gender | | Male |

ELECTRICAL SPECIFICATIONS

| | | |
|-----------------------------------|-----------|--|
| Nominal Impedance | Ohm | 50 |
| 3rd Order IM Product @ 2x20 Watts | dBc | -163 ; typical -167 |
| Maximum Frequency | GHz | 3.7 |
| VSWR, Return Loss | VSWR (dB) | 0 < f ≤ 1.0 GHz: 1.04 (34.1) 1.0 < f ≤ 2.0 GHz: 1.06 (30.7) 2.0 < f ≤ 2.7 GHz: 1.08 (28.3) 2.7 < f ≤ 3.7 GHz: 1.10 (26.4) |

MECHANICAL SPECIFICATIONS

| | | |
|--------------------------|---------|---------------|
| Plating Outer/Inner | | NiTin/Silver |
| Length | mm (in) | 64.6 (2.54) |
| Outer Diameter | mm (in) | 41.3 (1.63) |
| Weight | kg (lb) | 0.22 (0.49) |
| Inner Contact Attachment | | Basket |
| Outer Contact Attachment | | 360° clamping |

ACCESSORIES

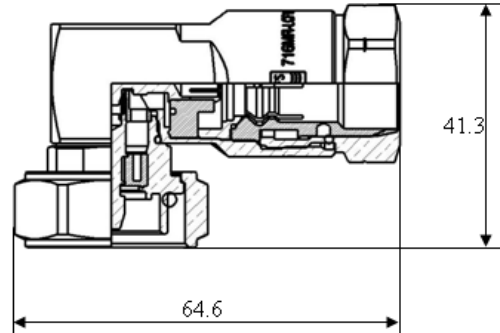
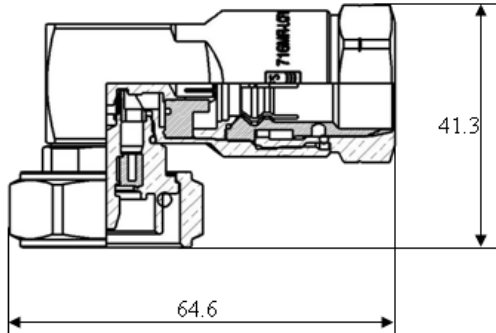
| | | |
|-------------------|---------|--------------------------------------|
| Wrench size front | mm (in) | 32 (1-1/4) |
| Wrench size rear | mm (in) | 26 |
| Trimming Tool | | TRIM-SET-L12-D01 TRIM-LCF12-D01-A |

TESTING AND ENVIRONMENTAL

| | | |
|------------------|--|------|
| Waterproof Level | | IP68 |
|------------------|--|------|



7-16 DIN Male Connector for 1/2" Coaxial Cable, OMNI FIT™ Premium, Right Angle, Polymer claw and compression sealing



External Document Links

Notes

Installation Instruction