

SWITCH CONTROLLER



CONTROL THE EMERGENCY LIGHTS WITH A LIGHT SWITCH OR A TIMER, UNDER NORMAL CIRCUMSTANCES



With the Switch Controller TST28xx the emergency lights in the central battery system can be operated by using a light switch, or controlled by a timer, in normal circumstances. When the system switches to DC mode, Switch Controller switches the supply to take place from the central battery system. In this case the luminaires are automatically switched

on, regardless of the position of the light switch.

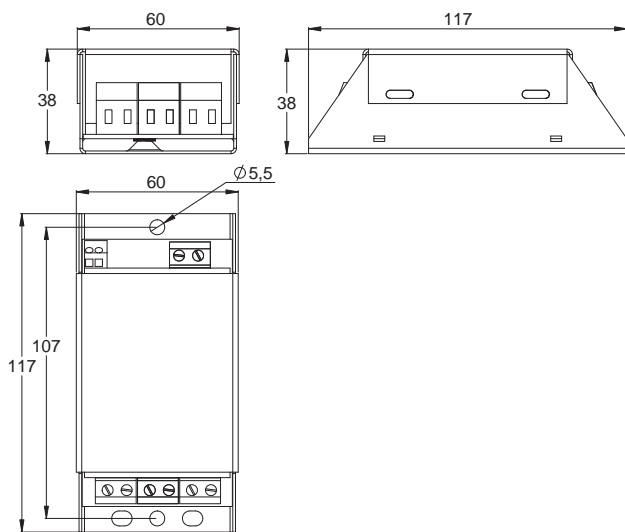
Switch Controllers are compatible with all Teknoware's 230 VAC/DC output central battery systems. They can also be used together with Local Controller.

The devices also have a dimming control

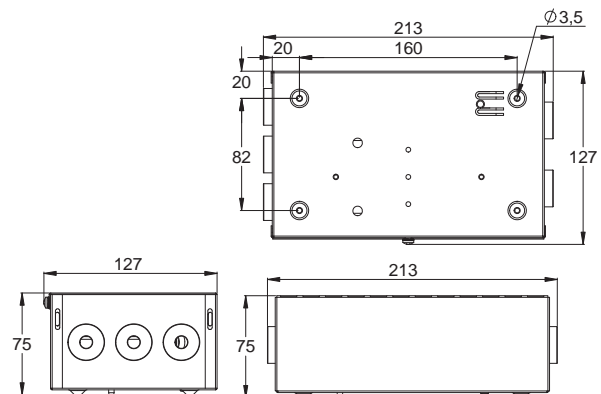
output (except TST8501), which can be used to automatically dim the luminaires during DC operation.

The output is compatible with electronic ballasts that are equipped with 1-10 V analog control input, according to IEC 60929.

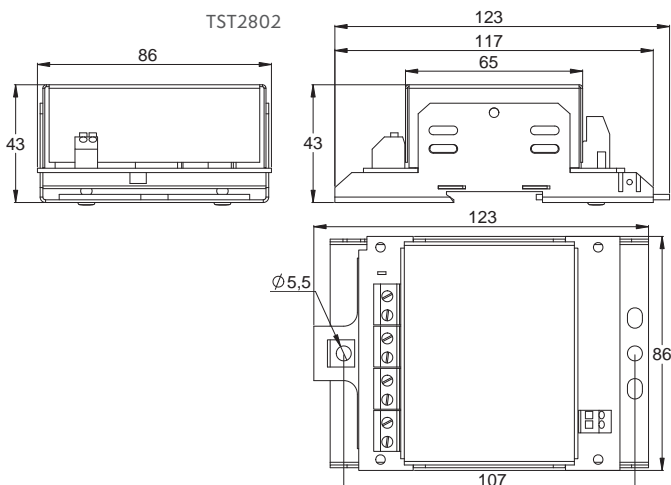
DIMENSIONS
TST2800



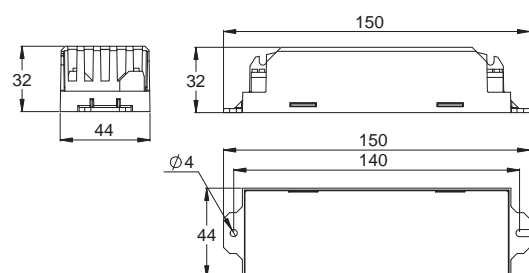
TST2801/ TST2803(B)



TST2802

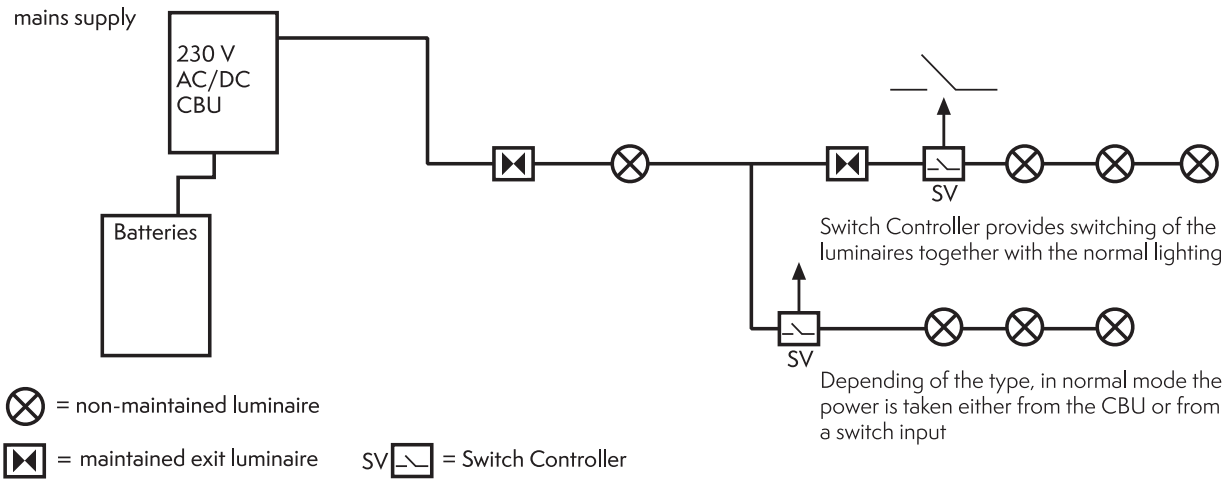


TST8501



SWITCH CONTROLLER

Switch Controller installed to a circuit cable. Switch Controller units can be used to control emergency lights with a light switch or with a timer.



SWITCH CONTROLLER

Product code	Input voltage	Power	Installation	Features
TST2800	230 V AC/DC	250 VA	Inside a distribution panel	<ul style="list-style-type: none"> in normal mode the luminaires take their supply from the light switch controls emergency lights by normal light switch a dimming control output 1-10 V
TST2801	230 V AC/DC	250 VA	With the junction box enclosure (IP20) for independent installation	<ul style="list-style-type: none"> in normal mode the luminaires take their supply from the light switch controls emergency lights by normal light switch a dimming control output 1-10 V
TST2802	230 V AC/DC	1400 VA	Inside a distribution panel	<ul style="list-style-type: none"> controls emergency lights from Central Battery System a dimming control output 1-10 V
TST2803	230 V AC/DC	1400 VA	With the junction box enclosure (IP20) for independent installation	<ul style="list-style-type: none"> controls emergency lights from Central Battery System a dimming control output 1-10 V
TST2803B	230 V AC/DC	1400 VA	With the junction box enclosure (IP20) for independent installation	<ul style="list-style-type: none"> in normal mode the luminaires take their supply from the light switch controls emergency lights by normal light switch a dimming control output 1-10 V
TST8501	230 V AC/DC	1000 VA	Inside a distribution panel	<ul style="list-style-type: none"> controls emergency lights from Central Battery System inverting function in AC