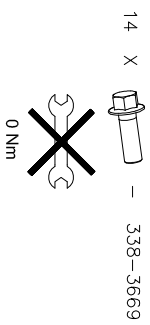


KDC3

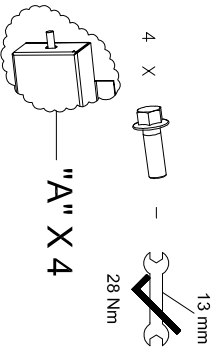
368-7757

V - 04

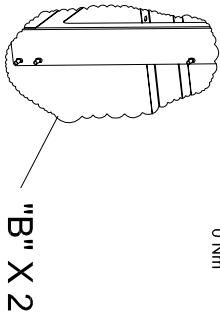
OP1 - #1,2,3,4,5 & 8



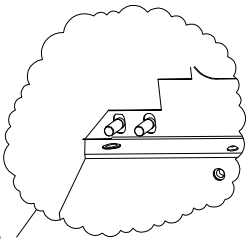
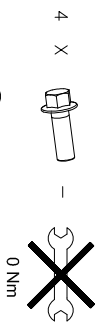
OP2 "A"



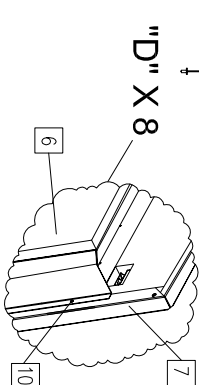
OP3 "B"



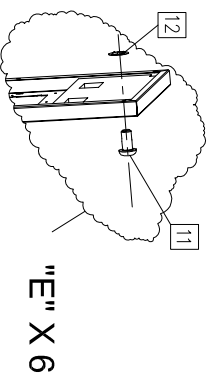
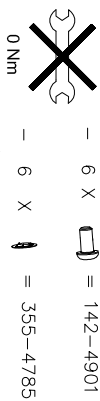
OP4 "C"



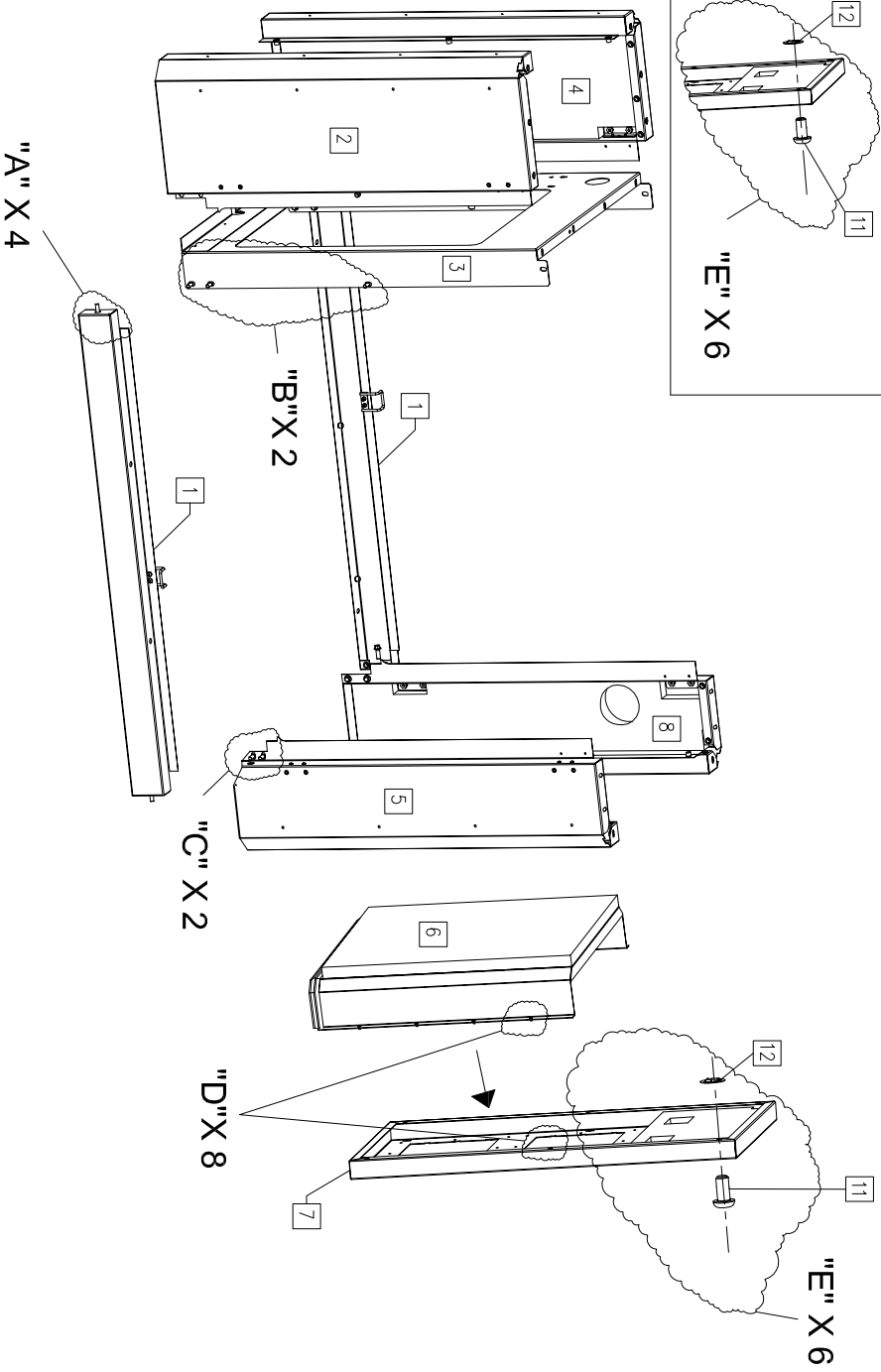
OP5 "D" - #6 & #7



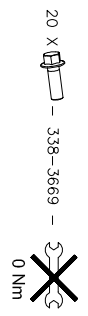
OP6 "E" - #7



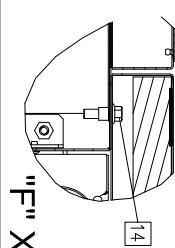
KDC3 - 1 / 6		MEAS		ASSEMBLY		AFTERSALES	
368-7757		QTY	UNIT	NO.	NO.	NO.	NO.
1	2	357-1480	10000-50228				
2	1	357-1477	10000-50229				
3	1	348-8848	10000-50230				
4	1	357-1476	10000-50231				
5	1	357-1479	10000-50232				
6	1	368-3379	10000-50233				
7	1	368-3378	10000-50234				
8	1	357-1478	10000-50235				
9	14	338-3669	10000-45171				
10	8	142-8194	509-009				
11	6	142-4901	500-272				
12	6	355-4785	10000-47048				



OP 7 - #13



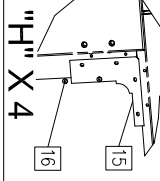
OP 8 "F"



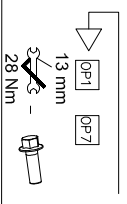
OP 9 "G"



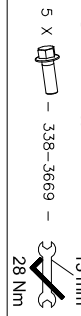
OP 10 "H" - # 15 & 16



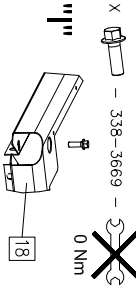
OP 11



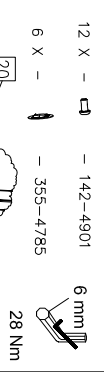
OP 12 - #17



OP 13 "I" - #18



OP 14 - #19 & #7

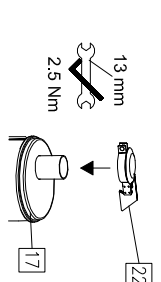


"J" X 6

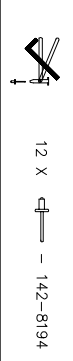
OP 15



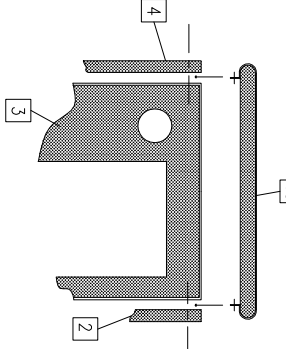
OP 16 - #22



OP 17 - #23

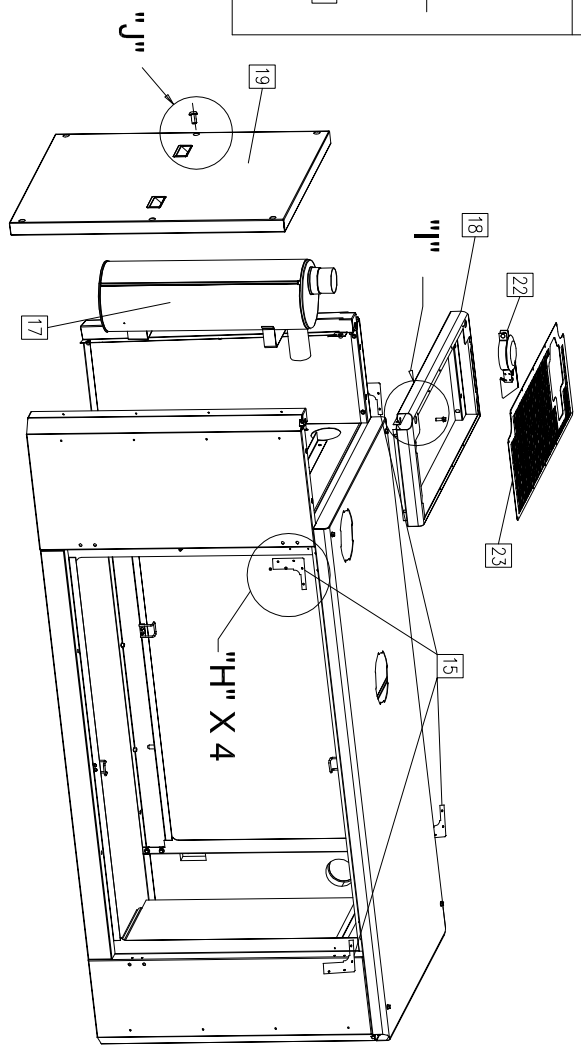
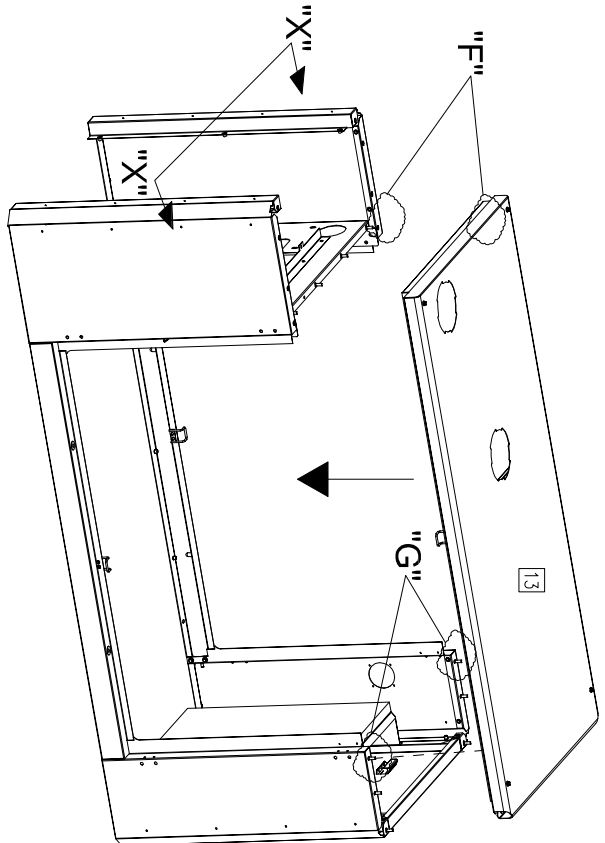


"X"-"X"



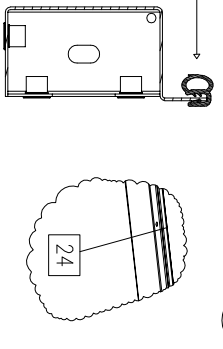
KDC3 - 2 / 6
368-7757

NO.	QTY	UNIT	MEAS	ASSEMBLY	AFTERSALES
13	1		357-4475	10000-50218	
14	37		338-3669	10000-48171	
15	4		362-1455	10000-50168	
16	28		142-8194	509-009	
17	1		343-9624	10000-C-46118	
18	1		336-1940	10000-50219	
19	1		331-9445	10000-50220	
20	6		142-4901	500-272	
21	6		355-4785	10000-47048	
22	1		417-9229	10000-59834	
23	1		336-1941	10000-50221	



OP18 - # 24

2 X # 24 - 532-157 540CM



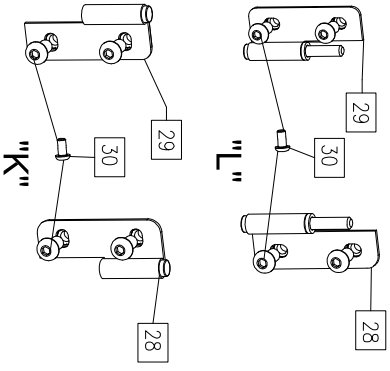
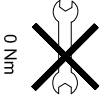
"X"-"X"

OP19 - # 25, 26, 27, 28 & 30

4 X # 28 - 331-9492

4 X # 29 - 331-9493

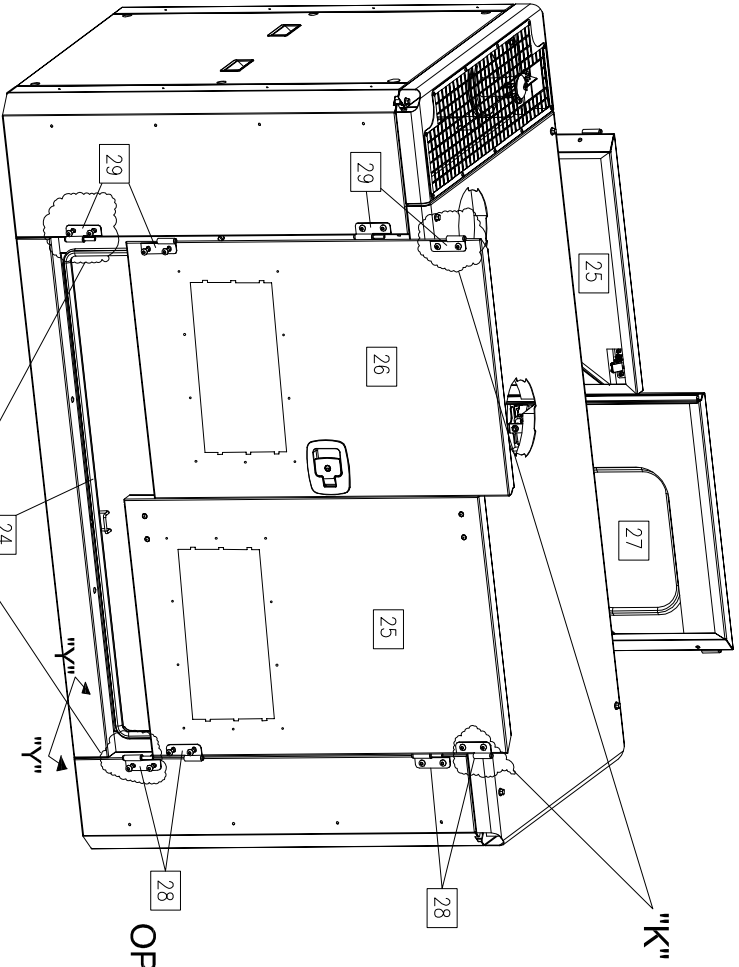
32 X # 30 - 142-4901



KDC3 - 3 / 6

368-7757

QTY	UNIT	MEAS	ASSEMBLY NO.	AFTERSALES NO.
124	2	540CM	532-157	532-157
23	2		358-9900	10000-50222
26	1		358-9901	10000-50223
27	1		331-9451	10000-50224
28	4		331-9492	10000-45033
29	4		331-9493	10000-45034
30	32		142-4901	500-272
31	5		369-1664	10000-50170
31.1	1		119-0781	290-041



OP19.1

OP20

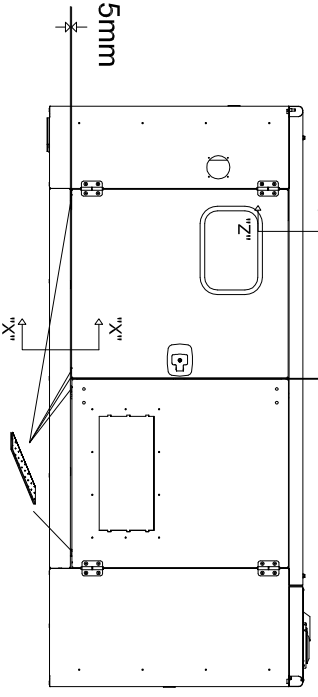
32 X # 30 - 142-4901

5 X # 31 - 369-1664

5mm

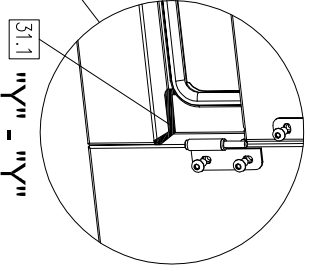
6mm

28 Nm

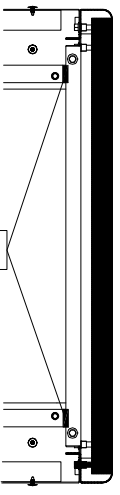


OP20.1

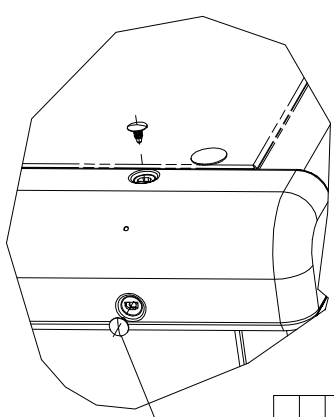
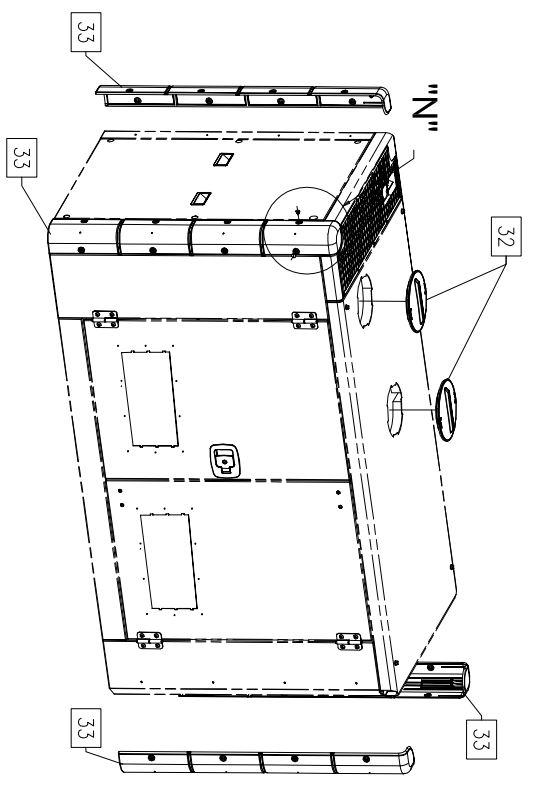
8 X "Y" - "Y"



"Z" - "Z"

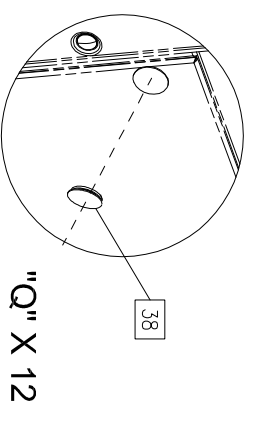
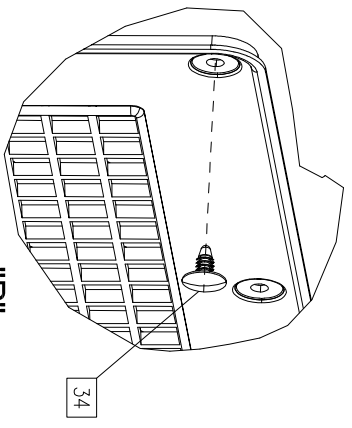
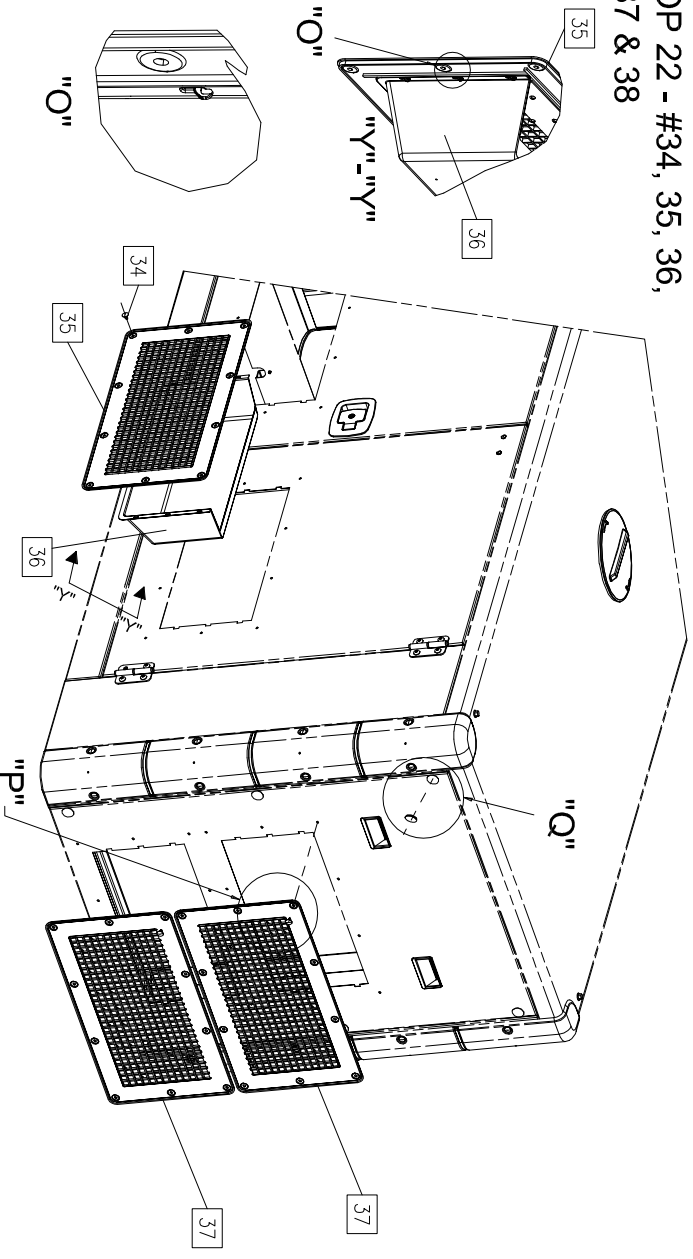


OP 21 - #32, 33 & 34



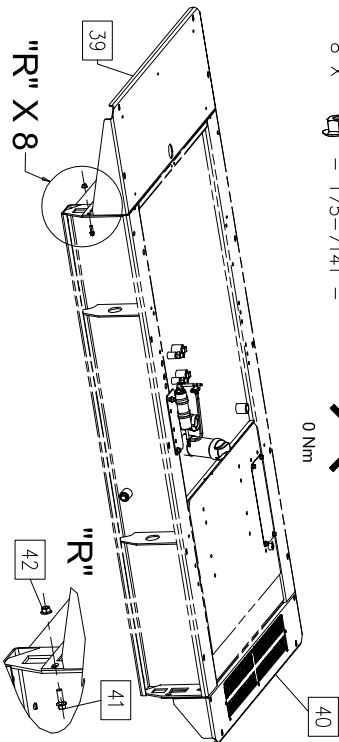
KDC3 - 4 / 6		368-7757			
ITEM NO.	QTY	MEAS UNIT	ASSEMBLY NO.	AFTERSALES NO.	
32	2		347-4025	10000-45256	
33	4		329-2431	10000-25574	
34	82		346-5504	10000-45251	
35	3		329-2432	10000-45015	
36	3		350-4333	10000-46144	
37	2		350-4331	10000-45322	
38	12		213-0985	510-055	

OP 22 - #34, 35, 36, 37 & 38

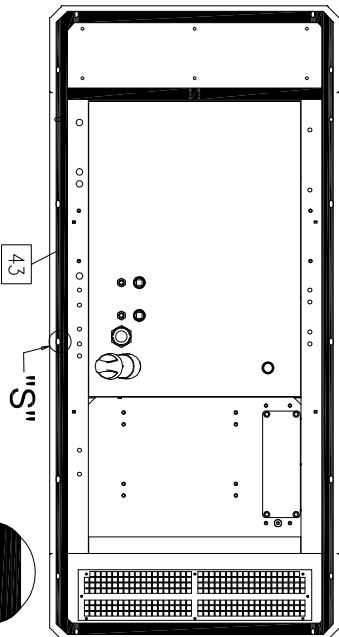


OP23 - #39, 40, 41 & 42

- 8 X - 338-3669 -
 - 8 X - 175-7141 -
- 0 Nm



OP24 - #43



N	QTY	MEAS	ASSEMBLY	AFTERSALES
1	2	3	4	5
ITEM	UNIT	NO.	NO.	NO.
39	1	359-7067	10000-48428	
40	1	359-5215	10000-48426	
41	8	338-3669	10000-45171	
42	8	175-1714	10000-50176	
43	88	5P-0802	532-078	
44	1	331-9495	10000-46898	
45	6	366-1821	10000-48921	
46	1	345-7525	10000-45240	
47	8	8T-4183	501-236	
48	16	8T-4223	503-400	
49	8	8T-8549	10000-50177	
50	18	356-3231	10000-47056	
51	1	345-1117	10000-45235	
52	4	142-8194	509-009	
53	1	349-9102	10000-45888	
54	1	061-9793	135-058	

OP25 "T" - #44 & 45

- 6 X - 13 mm
- 21 Nm
- "T" 45

OP26 "U" - #46, 47, 48 & 49

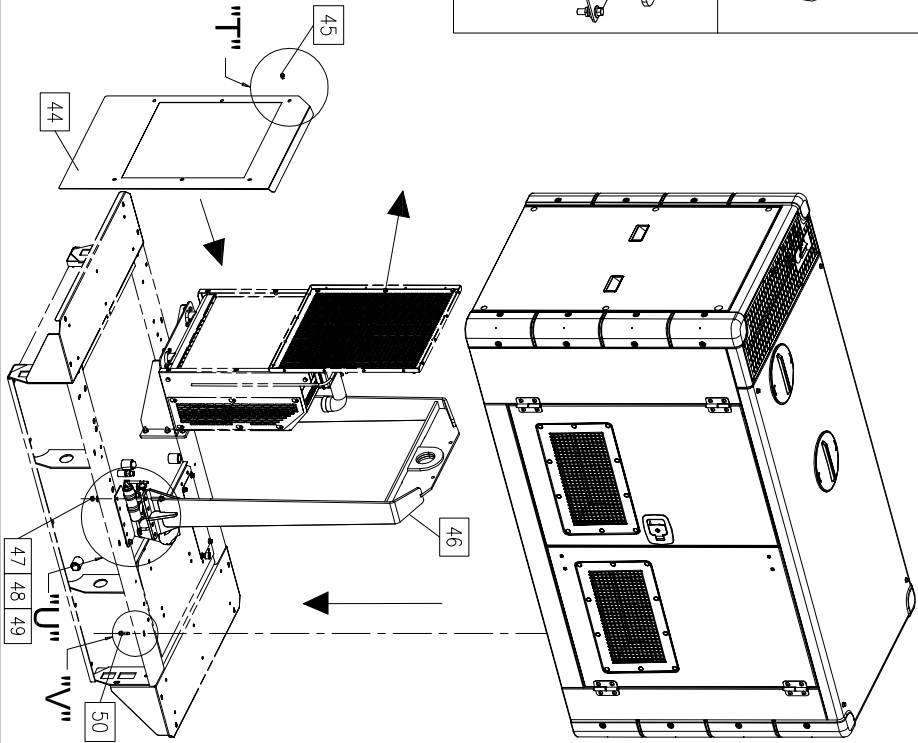
- 8 X 19mm
- 16 X 100 Nm
- 8 X
- "U" 46, 47, 48, 49

OP27 "V" - #50

- 18 X - 356-3231
- 13mm
- 28 Nm
- "V" 50

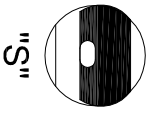
OP28

- 8 X - OP23
- 8 X - 13 & 15mm
- 8 X - 30 Nm



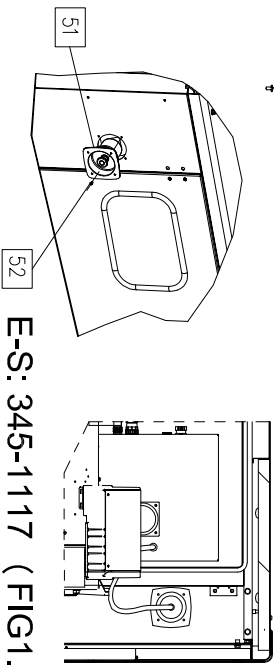
KDC3 - 5 / 6

368-7757



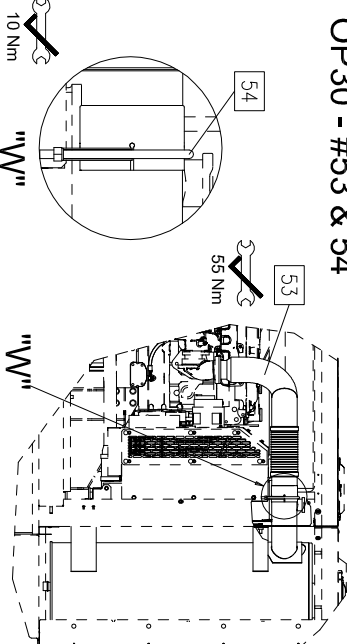
OP29 - #51 & 52

- 4 X - 142-8194

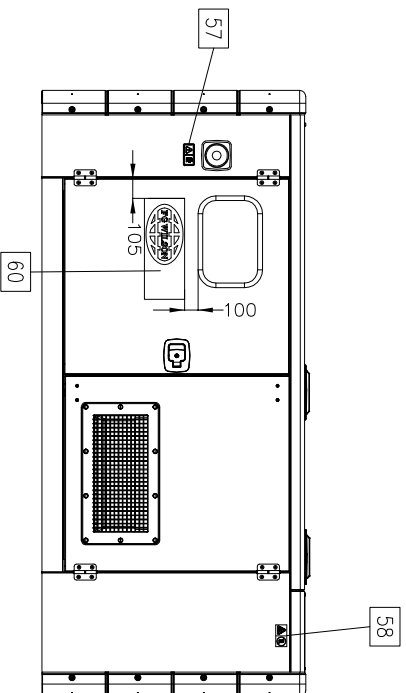
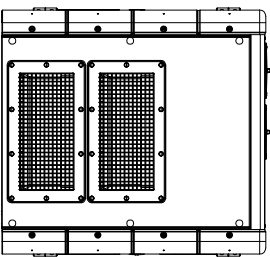
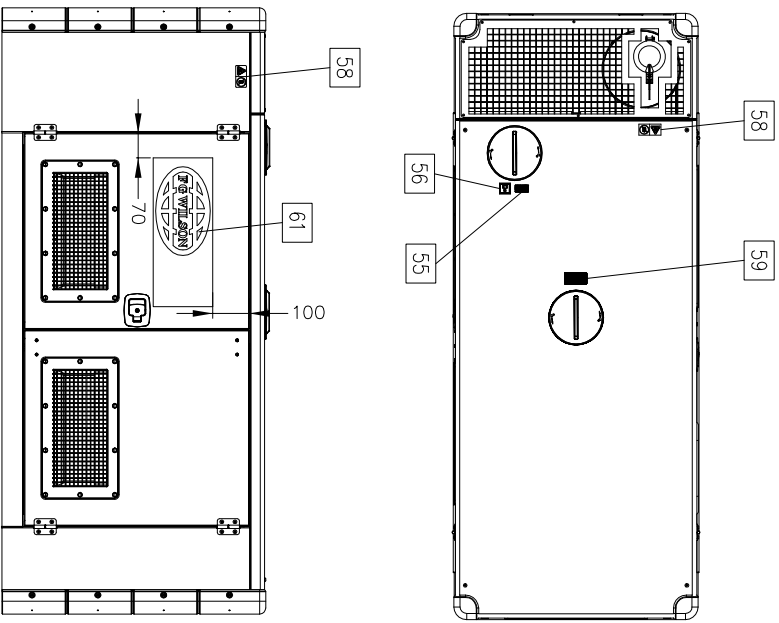


OP30 - #53 & 54

E-S: 345-1117 (FIG1.0)



OP31 - #55, 56, 57,
58, 59, 60 & 61



KDC3-6/6		MEAS		AFTERSALES	
368-7757		NO.	ASSEMBLY	NO.	SALES
P	LINE	QTY	UNIT		
55	1	1225-4257	10000-07832		
56	1	134-7295	950-536		
57	1	224-6818	10000-21460		
58	3	224-6820	10000-21461		
59	1	272-2641	10000-01046		
60	1	352-0910	10000-47027		
61	1	352-0911	10000-47028		

E-S: 345-1117 (FIG1.0)

