

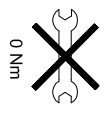
**KDC1**

**368-7755**

**V - 04**

**OP1 - # 1,2,3,4,5,6 & 7**

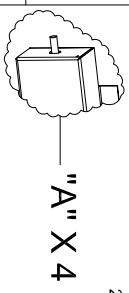
14 X  - 338-3669



**OP2 "A"**

4 X  - 13 mm

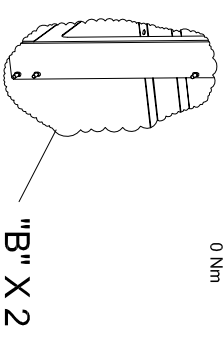
28 Nm



**OP3 "B"**

6 X  - 0 Nm

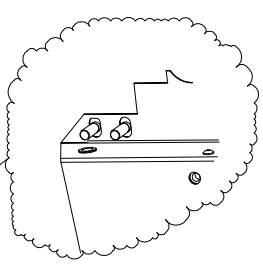
0 Nm



**OP4 "C"**

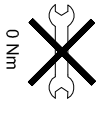
4 X  - 0 Nm

0 Nm

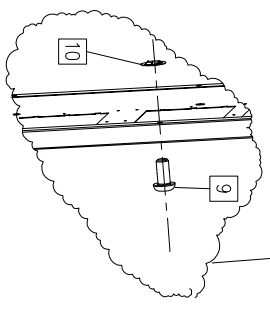


**OP5 "D"**

6 X  = 142-4901

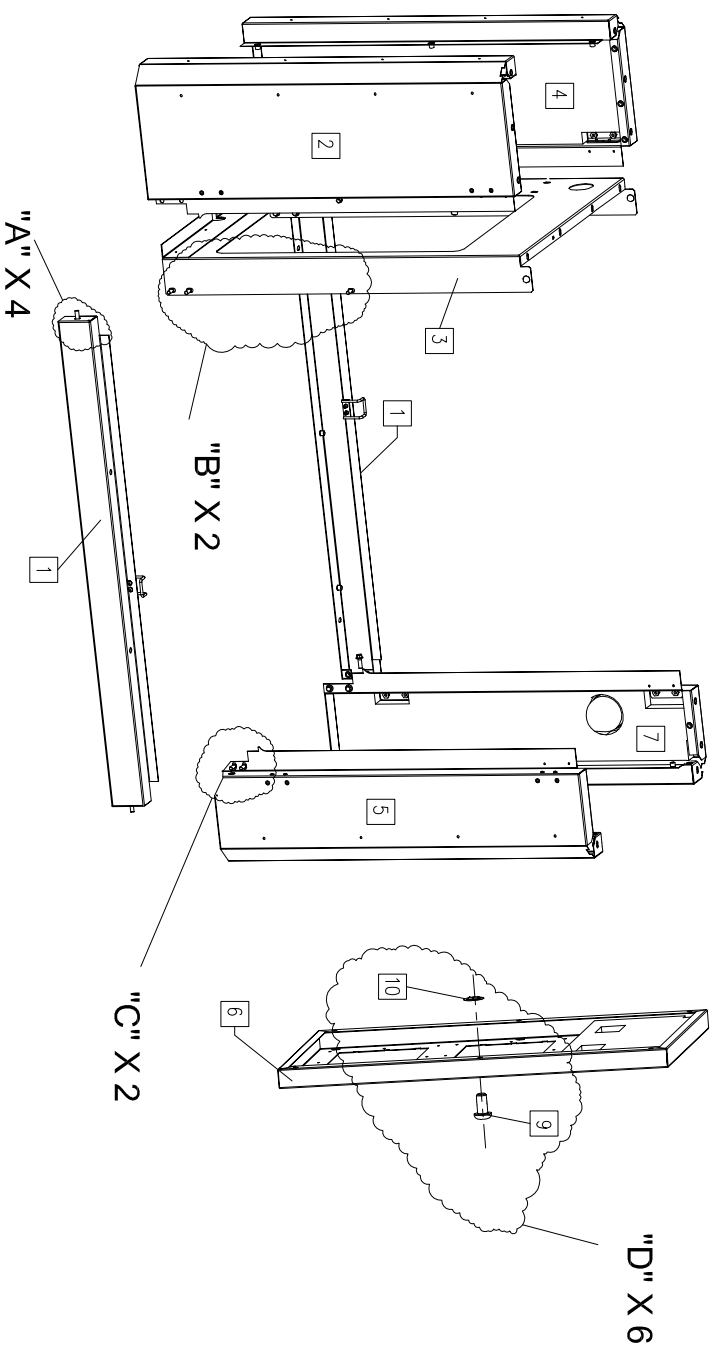


6 X  = 355-4785



**KDC1 - 1 / 6**  
368-7755

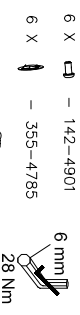
QTY	UNIT	MEAS	ASSEMBLY NO.	AFTERSALES NO.
1	2		357-0189	10000-50153
2	1		357-0185	10000-50154
3	1		358-1957	10000-50155
4	1		357-0184	10000-50156
5	1		357-0187	10000-50157
6	1		358-9895	10000-50158
7	1		357-0186	10000-50159
8	14		338-3669	10000-45171
9	6		142-4901	500-272
10	6		355-4735	10000-47048



**OP 6 - # 11**



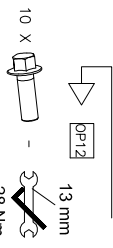
**OP 13 "H" - #15 & #6**



**OP 7 "E"**



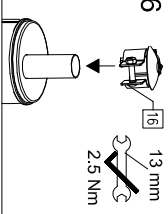
**OP 14**



**OP 8 "F"**



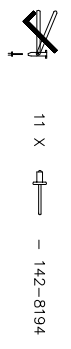
**OP 15 - #16**



**OP 9 "G" - # 12**



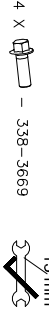
**OP 16 "I" - #17**



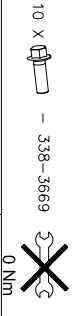
**OP 10**



**OP 11 - #13**

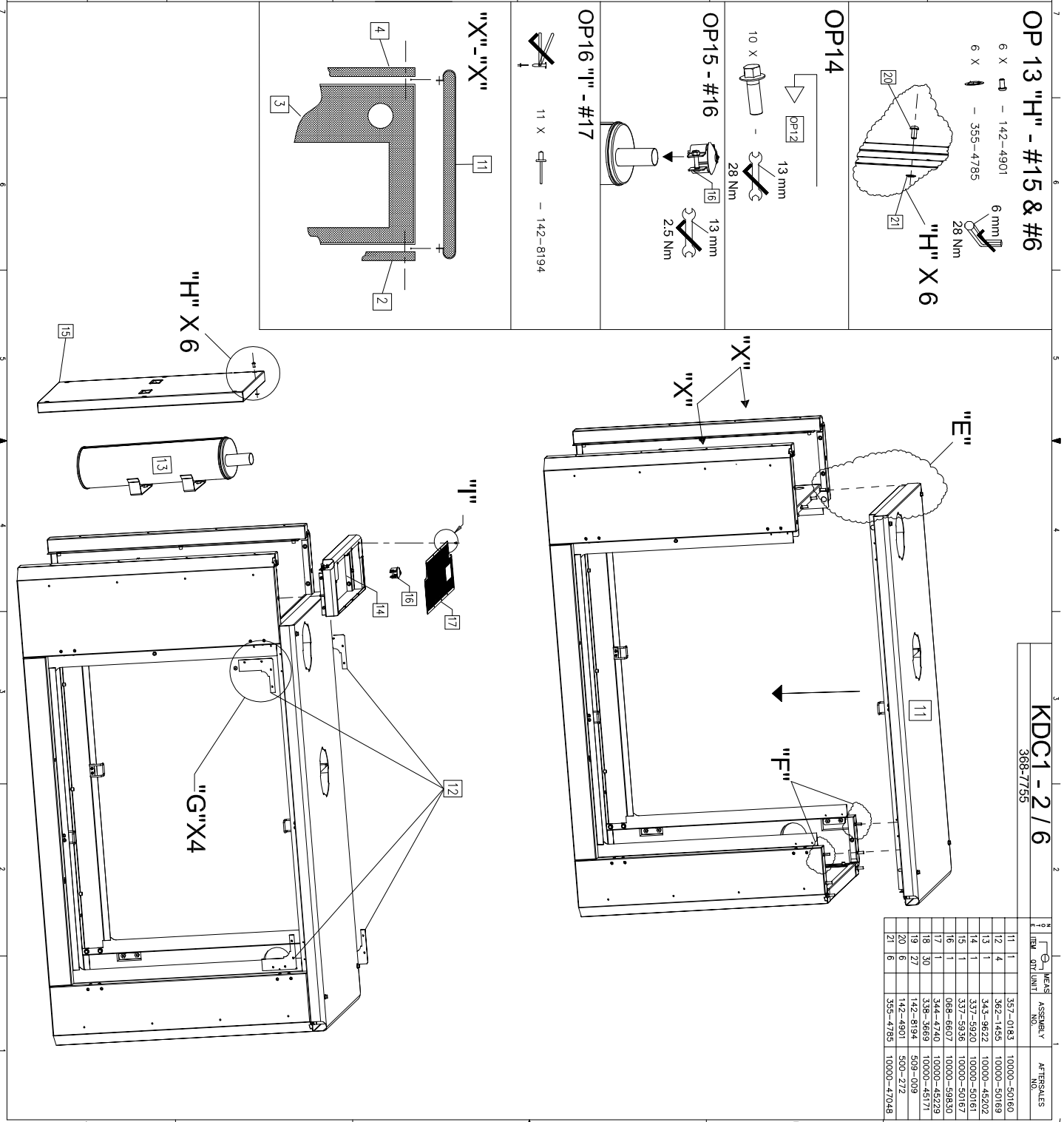


**OP 12 - #14**



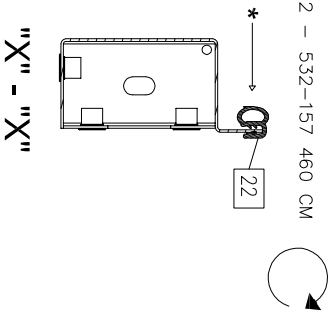
**KDC1 - 2 / 6**  
368-7755

ITEM NO.	MEAS. UNIT	ASSEMBLY NO.	AFTERSALES NO.
11	1	357-0183	10000-50160
12	4	362-4453	10000-50169
13	1	343-9622	10000-45202
14	1	337-5920	10000-50161
15	1	337-5936	10000-50167
16	1	068-6607	10000-59830
17	1	344-4740	10000-45229
18	30	338-3669	10000-45171
19	27	142-8194	509-009
20	6	142-4901	500-272
21	6	355-4785	10000-47048



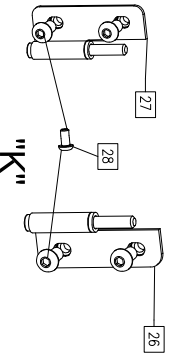
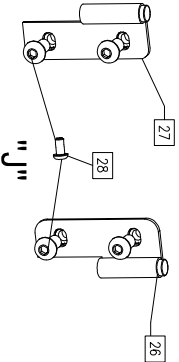
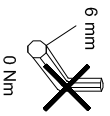
### OP17 - # 22

2 X # 22 - 532-157 460 CM



### OP18 - # 23, 24, 25, 26, 27 & 28

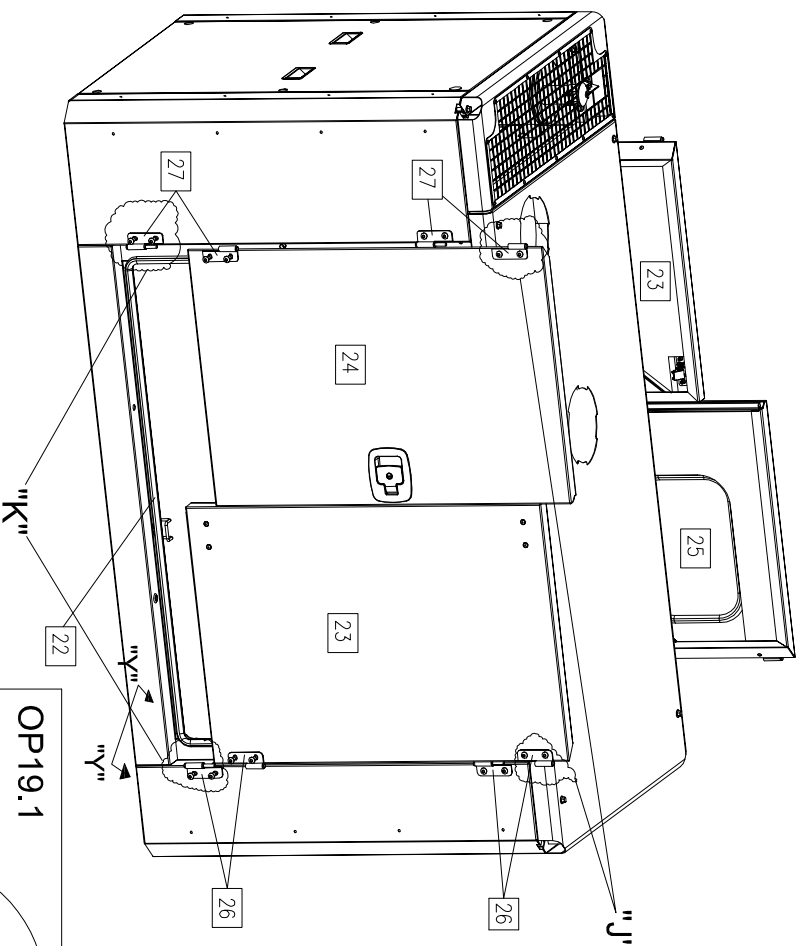
- 4 X #26 - 331-9492
- 4 X #27 - 331-9493
- 32 X #28 - 142-4901



### KDC1 - 3/6

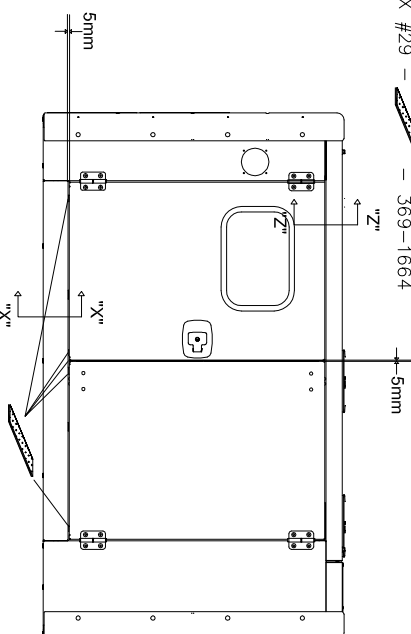
368-7755

QTY	MEAS	ASSEMBLY	AFTERSALES
UNIT	NO.	NO.	NO.
22	2	460CM 532-157	532-157
23	2	337-5941	10000-50162
24	1	337-5948	10000-50163
25	1	337-5945	10000-50164
26	4	331-9492	10000-45033
27	4	331-9493	10000-45034
28	32	142-4901	500-272
29	5	369-1664	10000-50170
29.1	1	119-0781	290-041

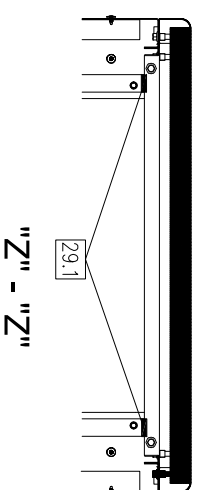
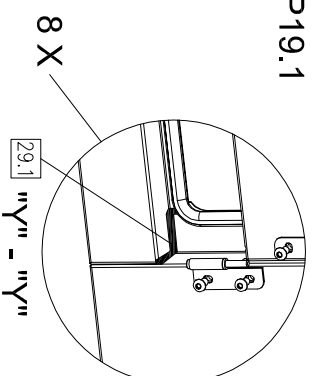


### OP19

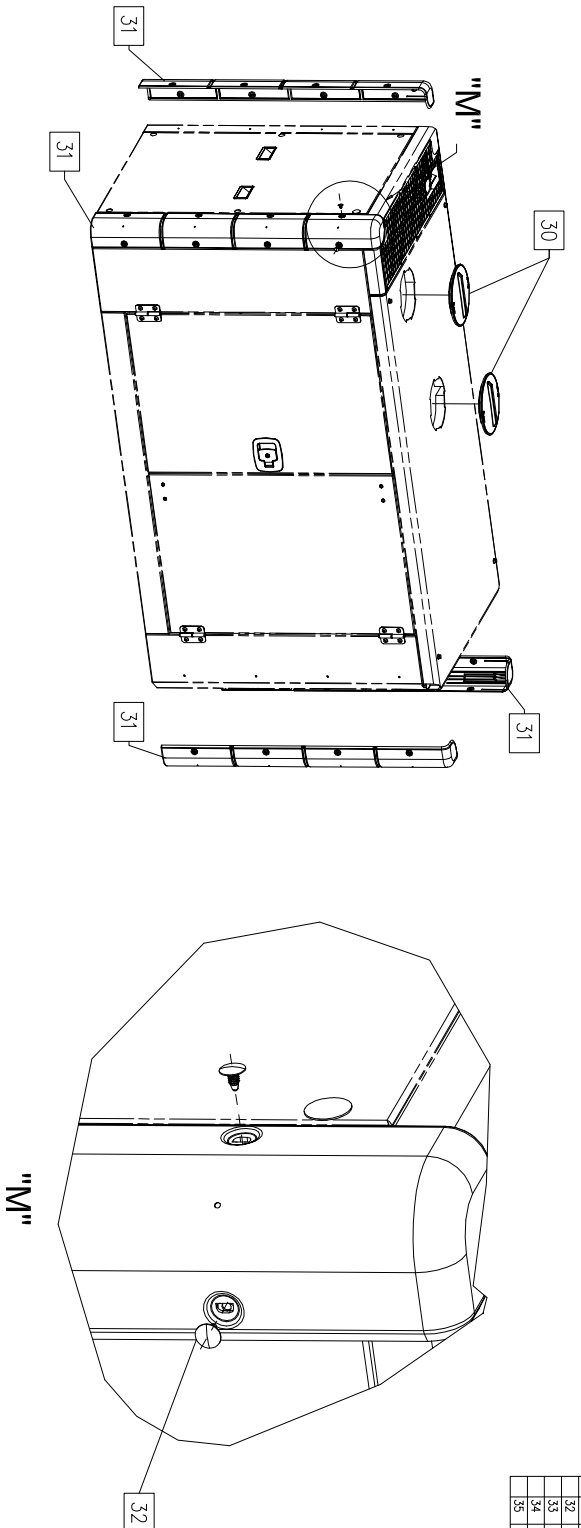
- 32 X #28 - 142-4901
- 5 X #29 - 369-1664



### OP19.1

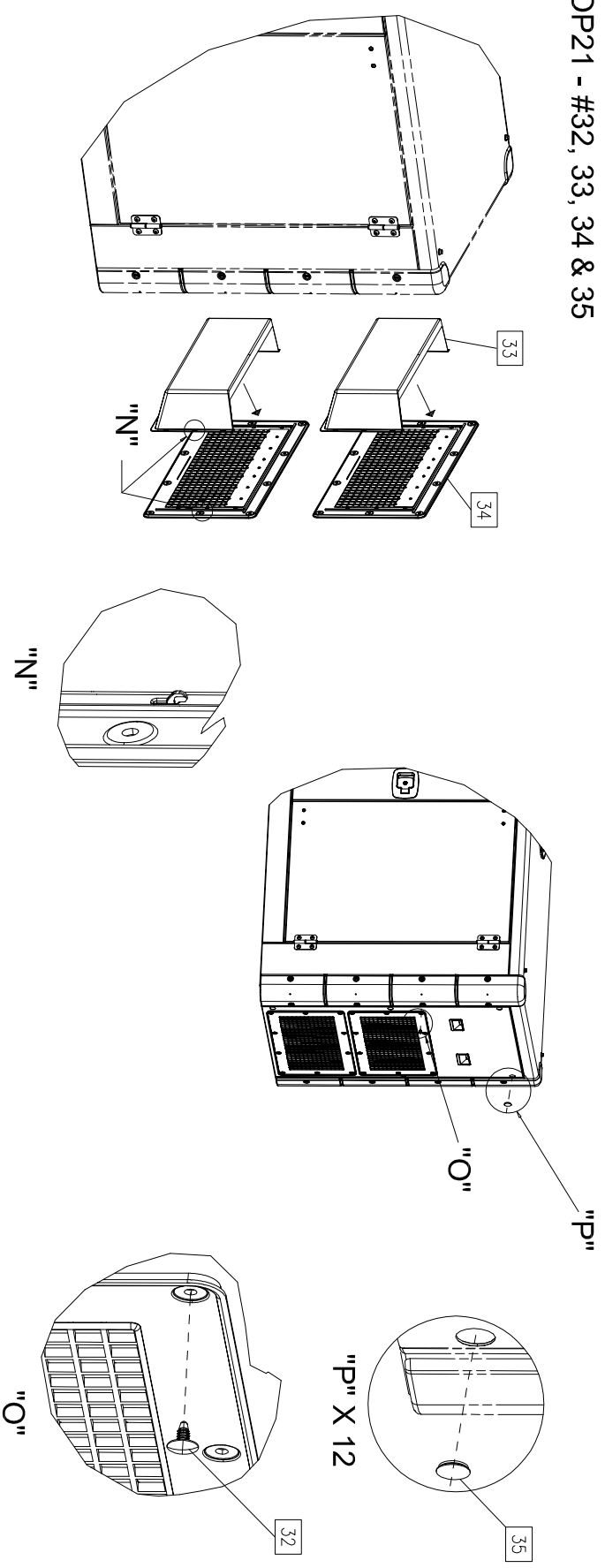


OP20 - #30, 31 & 32



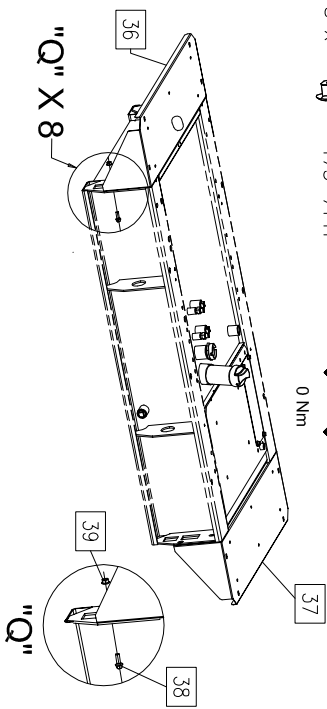
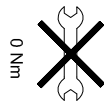
KDC1 - 4 / 6		MEAS		ASSEMBLY		AFTERSALES	
368-7755		QTY	UNIT	NO.	NO.	NO.	NO.
30	2	347-4025	10000-45256				
31	4	329-2431	10000-25574				
32	2	346-5504	10000-45251				
33	2	350-4333	10000-46144 F				
34	2	329-2432	10000-45016				
35	12	213-0985	510-055				

OP21 - #32, 33, 34 & 35

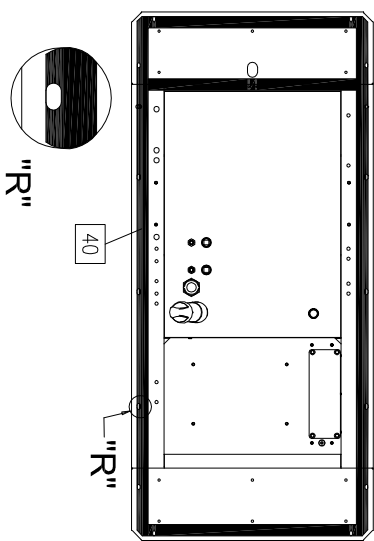


### OP22 - #36,37,38 & 39

- 8 X - 338-3669 -
- 8 X - 175-7141 -



### OP23 - #40



### KDC1 - 5 / 6

368-7755

N	QTY	MEAS	ASSEMBLY NO.	AFTERSALES NO.
36	1		335-9873	10000-45084
37	1		335-9872	10000-48847
38	8		338-3669	10000-45171
39	8		175-1714	10000-50176
40	70	DM	5P-0802	532-078
41	52	CM	532-157	532-157
42	1		341-1363	10000-45186
43	6		366-1821	10000-48921
44	1		344-1313	10000-45214
45	8		81-4183	501-236
46	16		81-4223	503-400
47	8		81-8549	10000-50177
48	16		356-3231	10000-47056
49	1		345-1117	10000-45235
50	4		142-8194	509-009
51	1		349-9099	10000-45885
52	1		030-3225	135-052

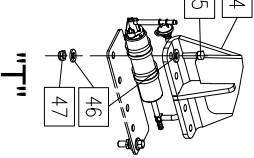
### OP24 "S" - #41, 42 & 43

- 6 X - 21 Nm



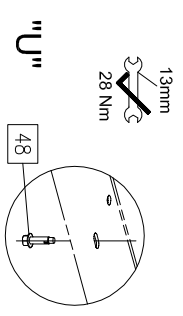
### OP25 "T" - #44, 45, 46 & 47

- 8 X - 19mm
- 16 X - 100 Nm
- 8 X



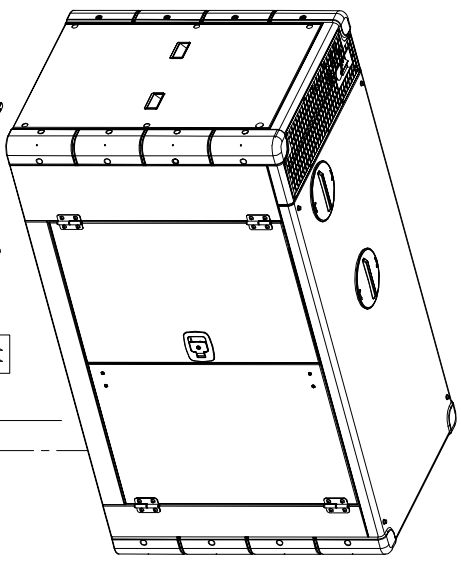
### OP26 "U" - #48

- 16 X - 356-3231



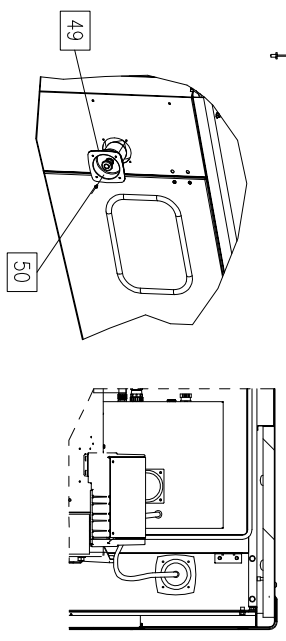
### OP27

- 8 X - 13 & 15mm
- 8 X - 30 Nm



### OP28 - #49 & 50

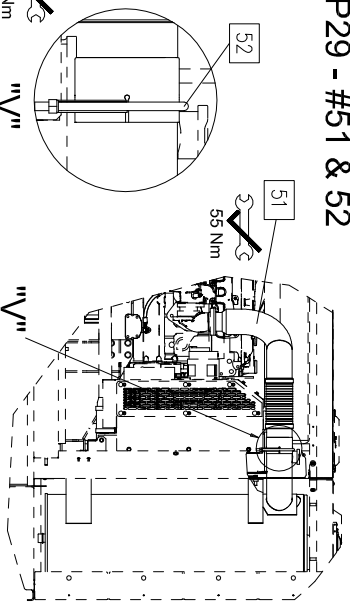
- 4 X - 142-8194



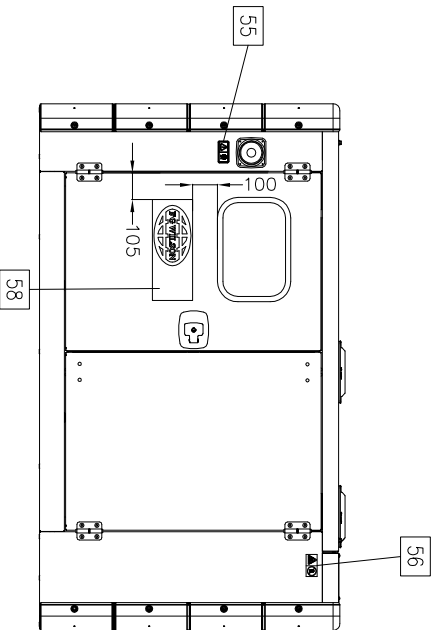
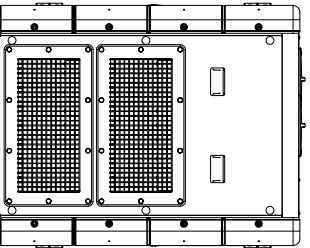
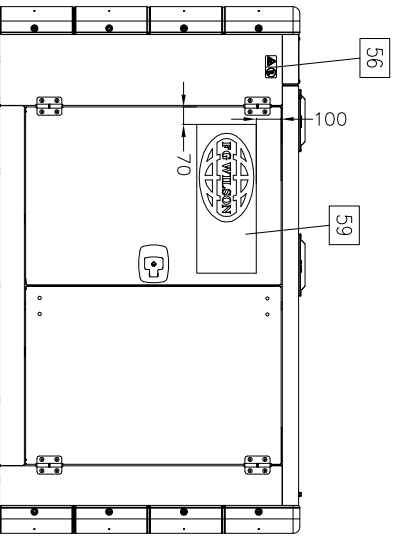
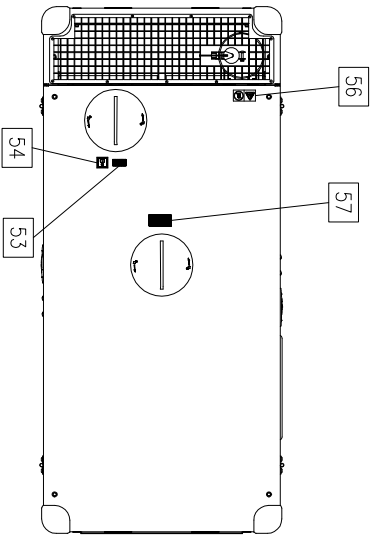
E-S: 345-1117 (FIG1.0)

### OP29 - #51 & 52

- 55 Nm
- 10 Nm



OP30 - #53, 54, 55,  
56, 57, 58 & 59



KDC1 - 6 / 6		MEAS		ASSEMBLY		AFTERSALES	
368-7755		LINE	QTY	UNIT	NO.	NO.	NO.

53	1		225-4257		10000-07832		
54	1		134-7296		560-536		
55	1		224-6918		10000-21460		
56	3		224-6920		10000-21461		
57	1		272-2641		10000-01046		
58	1		352-0910		10000-47027		
59	1		352-0911		10000-47028		

E-S: 345-1117 (FIG1.0)

