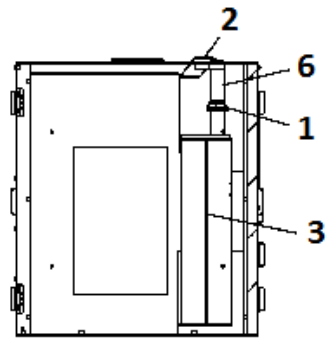
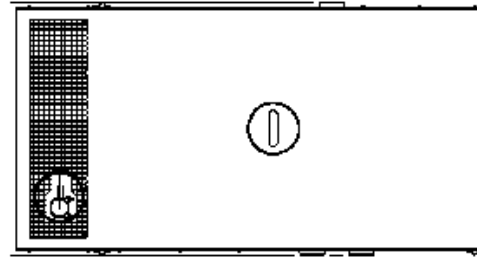


PICTORIAL VIEW



SECTION B-B

