



RSB-Clip (incl. clamp lining)

RSB -Clip with clamp lining for SCF12 cable

FEATURES / BENEFITS

The RSB-Clip is designed for the installation of feeder cables from sizes 1/4" up to 1-5/8". The clip is a universal clamp device and can be used in many mounting configuration. The RSB-Clip is made of stainless steel. The hanger is resistant against all environmental influences. Due to the mechanical construction, a cable deformation is impossible. Therefore, a deterioration of the electrical properties is avoided.



Technical Features

GENERAL SPECIFICATIONS

Product Line		Coaxial Cable Accessories Hybrid Cable Accessories
Product Type		Hanger
Hanger Type		RSB-Clip (incl. clamp lining)
Transmission Line Type		SCF12
Cable Type		Superflexible Coaxial Foam Dielectric Ultraflexible Coaxial Foam Dielectric

MECHANICAL SPECIFICATIONS

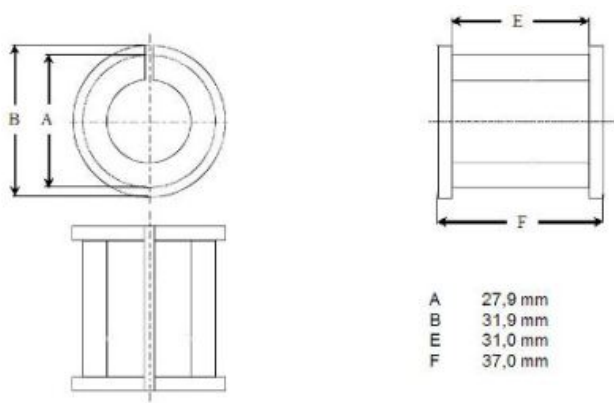
Cable Size		1/2"
Number of Cable / Waveguide Runs		1
Material		Clamp: Stainless steel Clamp lining: EPDM rubber
Drill Hole Size	mm (in)	8 (0.315)

ACCESSORIES

Spare Part / Useful Accessories		Cleat : RSB-310 Anchor bar fixation : RSB-315
---------------------------------	--	--

PACKAGING INFORMATION

Package Quantity		10
Weight per piece	kg (lb)	0.038 (0.082)
Weight per kit	kg (lb)	0.38 (0.82)



External Document Links

Installation Instruction
Application Note RSB Clip

Notes