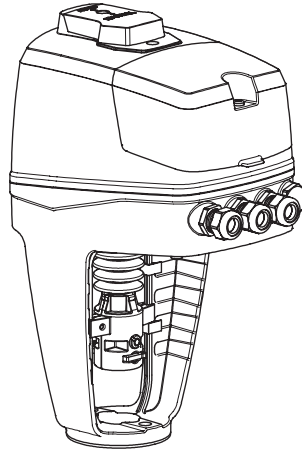
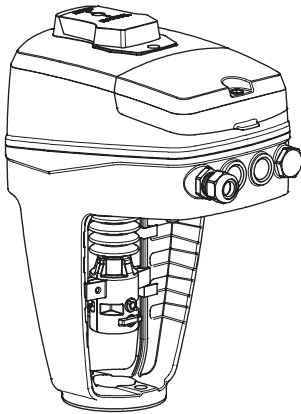


TA-Slider 750/1250

TA-Slider 750/1250 Plus





0°C - +50°C

32°F - +122°F

(5-95%RH, non-condensing)



0°C - +120°C

32°F - +248°F



-20°C - +70°C

-4°F - +158°F

(5-95%RH, non-condensing)



Input signal: 0-10 VDC

Output signal: 0-10 VDC

Speed: 3 s/mm (3, 4, 6, 8, 12 or 16 s/mm)

76.2 s/in (76.2, 101.6, 152.4, 203.2, 304.8 or 406.4 s/in)

Characteristic: Linear



Pollution degree 3



Class III EN 61000-4-5
Categ. 3 IEC 60730



230V
Plus version
with Relay



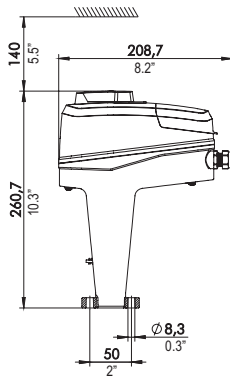
24V
Plus version
without Relay



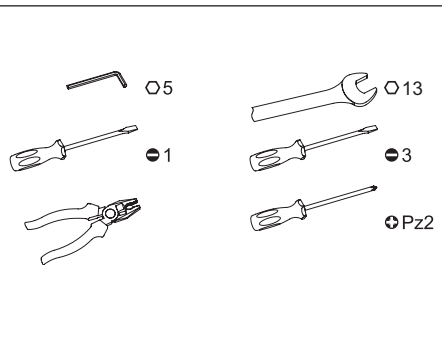
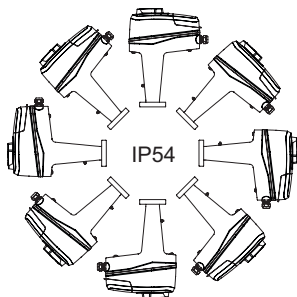
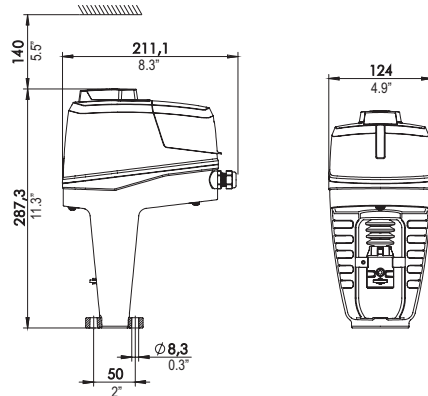
EN 60730

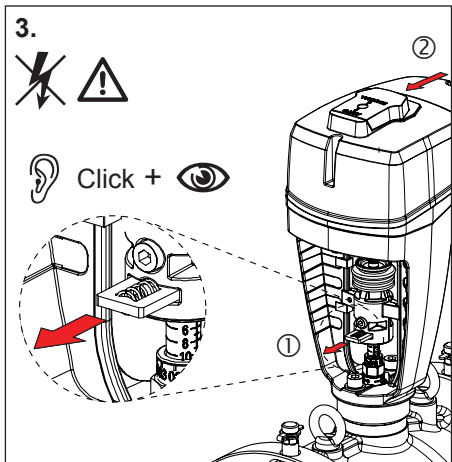
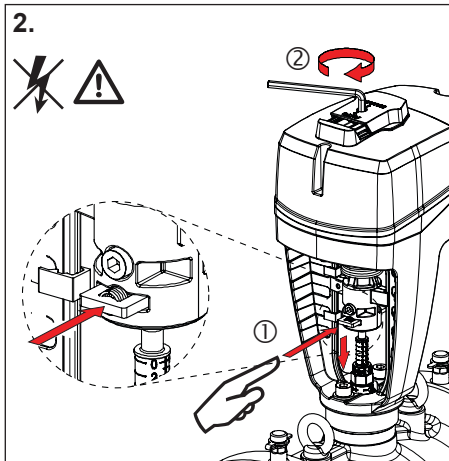
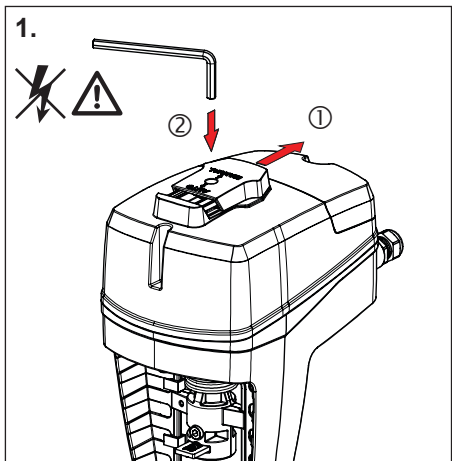
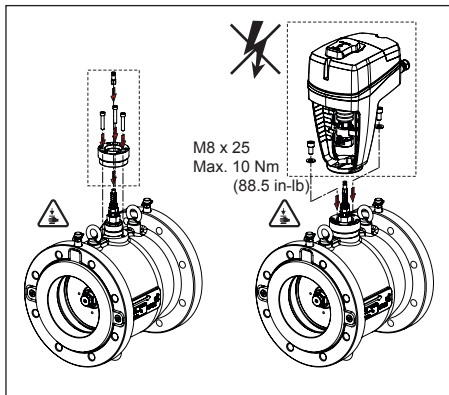
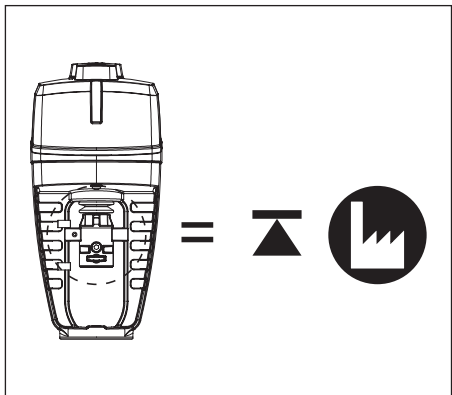


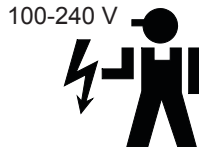
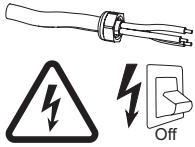
TA-Slider 750/1250



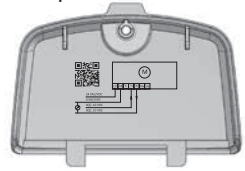
TA-Slider 750/1250 Plus



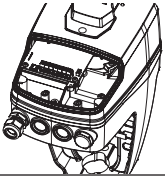




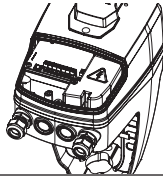
Example!



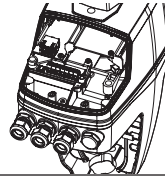
TA-Slider 750/1250
24 V



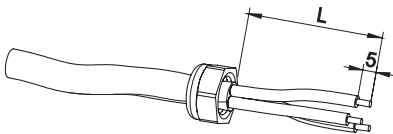
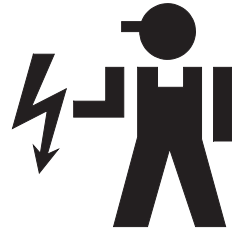
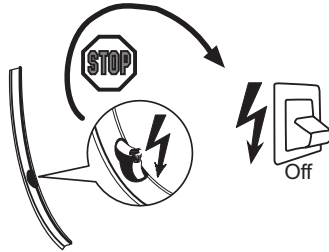
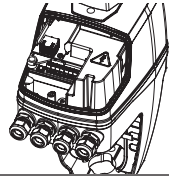
100-240 V



TA-Slider 750/1250 Plus
24 V

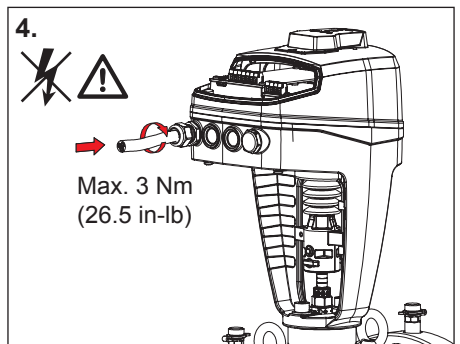
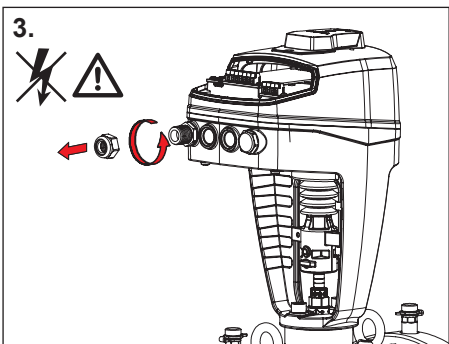
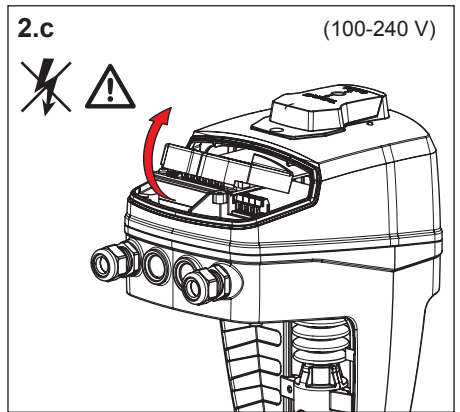
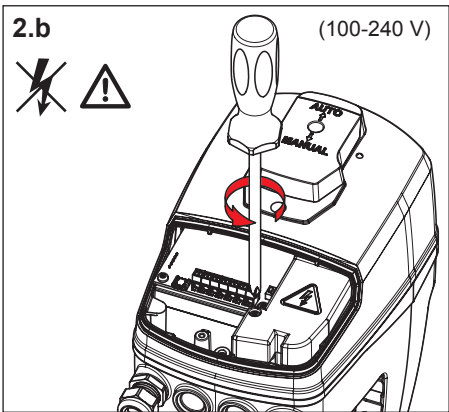
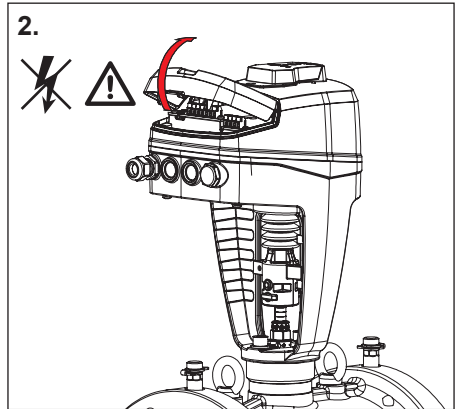
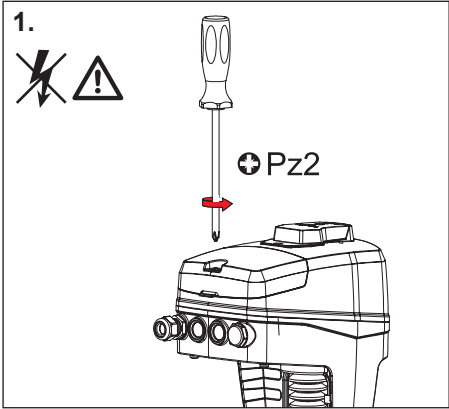


100-240 V



Protection class I: H05VV-F or similar
 Protection class III: LiYY or similar
 Wire cross-section: 0.25-2.0 mm²
 (30 AWG-14 AWG)

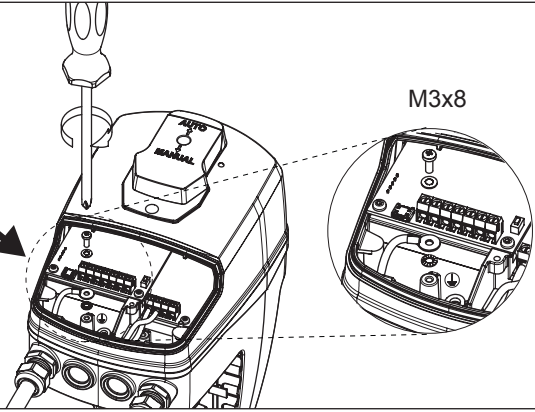
L = 100 mm (3.94 in.)
 Grounding wire L = 120 mm (4.72 in.)



5.



Note: Only protection class I



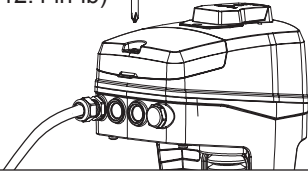
M3x8

6.



Max. 1.4 Nm
(12.4 in-lb)

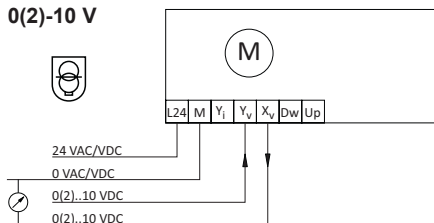
⊕ Pz2



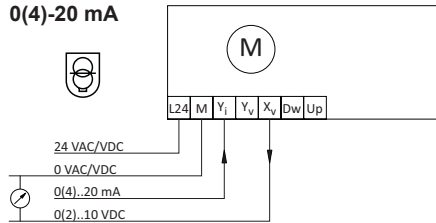
Terminal	Description
L24	Power supply 24 VAC/VDC
M*	Neutral for power supply 24 VAC/VDC and signals
L	Power supply 100-240 VAC
N	Neutral for power supply 100-240 VAC
Y _i	Input signal for proportional control 0(4)..20 mA, 500 Ω
Y _v	Input signal for proportional control 0(2)..10 VDC, 47 kΩ
X _i	Output signal 0(4)..20 mA, max. resistance 700 Ω
X _v	Output signal 0(2)..10 VDC, max. 8 mA or min. load resistance 1.25 kΩ
Dw	3-point control signal for extending actuator spindle (24 VAC/VDC or 100-240 VAC)
Up	3-point control signal for retracting actuator spindle (24 VAC/VDC or 100-240 VAC)
B	Connection for potential free contact (e.g. open window detection), max. 100 Ω, max. 10 m (32.8 ft) cable or shielded
COM1, COM2	Common contacts of relays 1 & 2, max. 250 VAC, max. 5A @ 250 VAC on resistive
NC1, NC2	Normally closed contacts for relay 1 & 2
NO1, NO2	Normally open contacts for relay 1 & 2

24 V

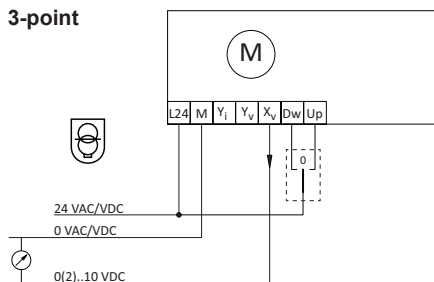
0(2)-10 V



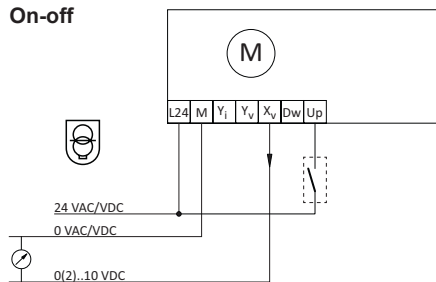
0(4)-20 mA



3-point



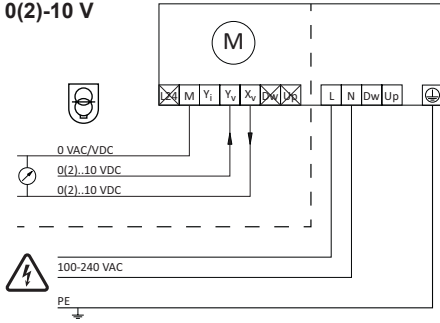
On-off



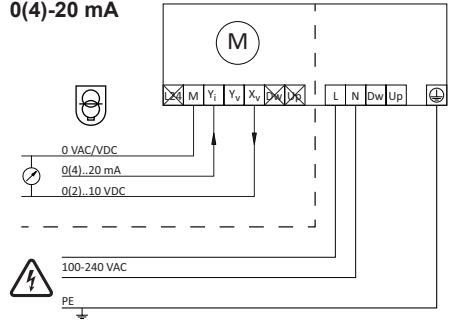
24 VAC/DC operating only with safety transformer according EN 61558-2-6

100-240 V

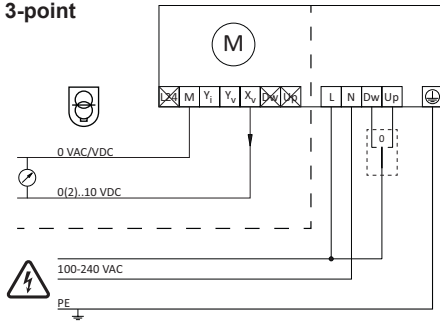
0(2)-10 V



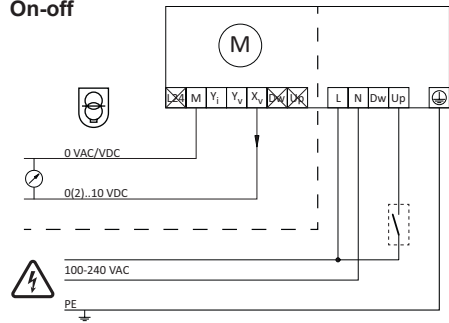
0(4)-20 mA



3-point

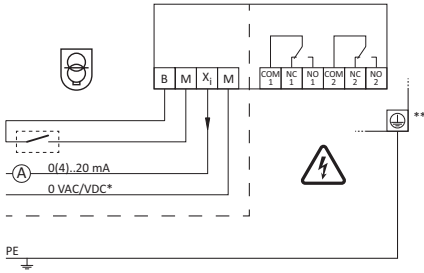


On-off



24 VAC/DC operating only with safety transformer according EN 61558-2-6

Relay (TA-Slider 750/1250 Plus)

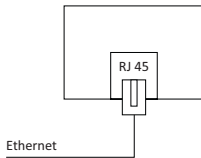


*) Low voltage neutral

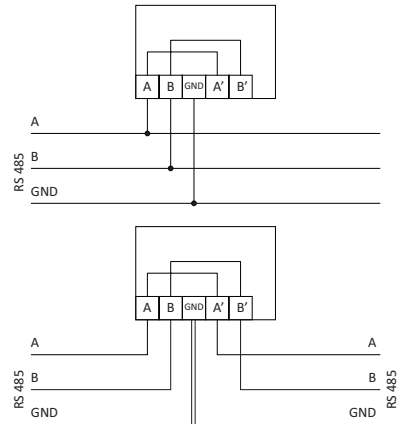
**) Ground connection required.

BUS (TA-Slider 750/1250 Plus)

Ethernet (BACnet/IP, Modbus/TCP)

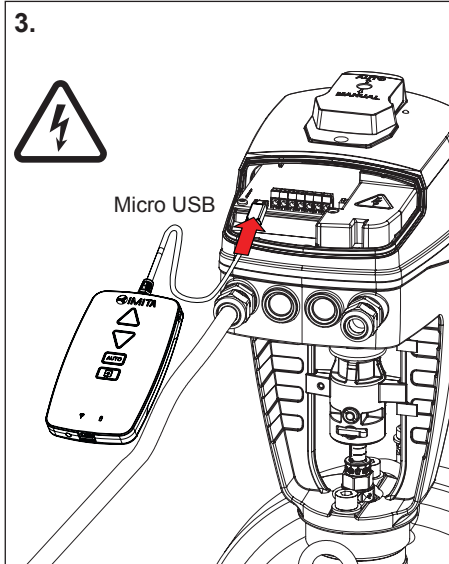
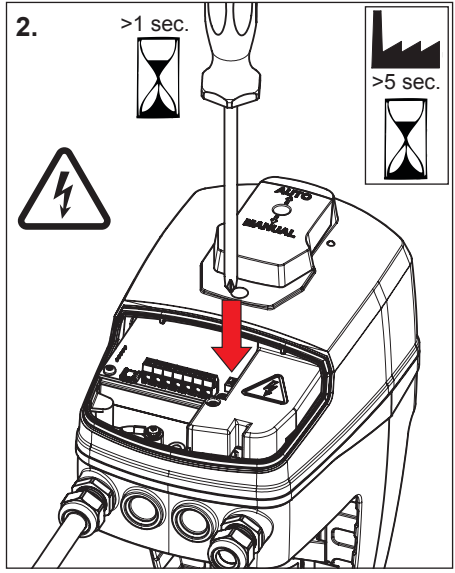
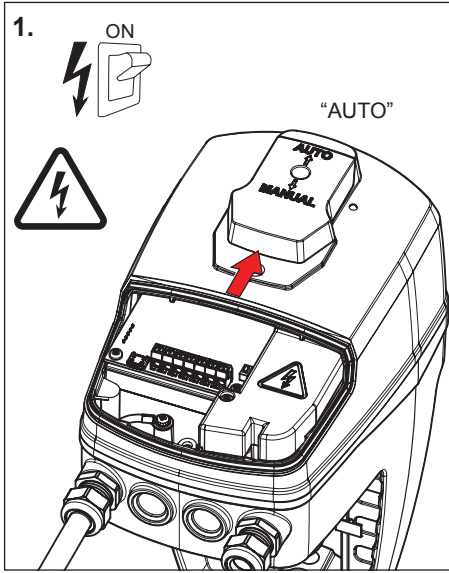


RS 485 (BACnet MS/TP, Modbus RTU)







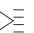





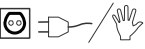
Note: A, B, A', B' and GND terminals are isolated from all other terminals.

Quick start

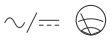
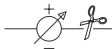

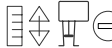


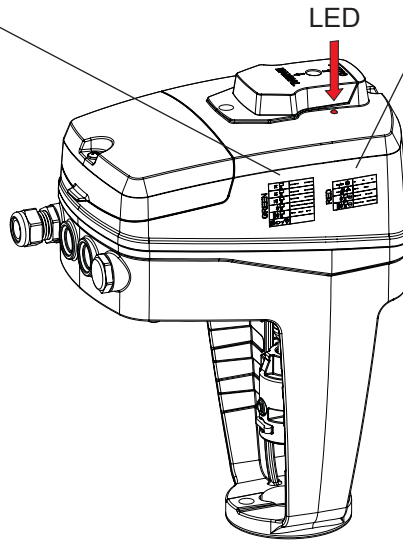
LED

GREEN

 	— — — —
 	— — — —
 	— — — —
 	— — — —
 	— — — —
	

RED

	— — — —
	— — — —
	— — — —
	— — — —



We reserve the right to introduce technical alterations without prior notice.



Hydronic Engineering

www.imi-hydronic.com