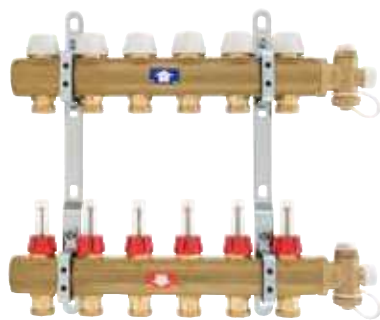


# 916C

PRE-ASSEMBLED  
MANIFOLD WITH FLOW  
METERS, AIR VENT VALVES  
AND DRAIN COCK



SIZE	PRESSURE	CODE	PACKING
1"x3/4"x3	6bar/87psi	9160010003034C	1/1
1"x3/4"x4	6bar/87psi	9160010004034C	1/1
1"x3/4"x5	6bar/87psi	9160010005034C	1/1
1"x3/4"x6	6bar/87psi	9160010006034C	1/1
1"x3/4"x7	6bar/87psi	9160010007034C	1/1
1"x3/4"x8	6bar/87psi	9160010008034C	1/1
1"x3/4"x9	6bar/87psi	9160010009034C	1/1
1"x3/4"x10	6bar/87psi	9160010010034C	1/1
1"x3/4"x11	6bar/87psi	9160010011034C	1/1
1"x3/4"x12	6bar/87psi	9160010012034C	1/1
1"x3/4"x13	6bar/87psi	9160010013034C	1/1

## TECHNICAL SPECIFICATIONS

Consisting of:

- 1 return manifold in brass with shut-off valves preset for electrothermal actuators
- 1 flow manifold in brass with flow meters
- 2 adjustable end pieces with drain valve and manual air vent valve
- 2 complete metal brackets.

Available sizes: 1".

Maximum working pressure: 6 bar (10 bar for installation test)

Maximum working temperature: 70°C

Threads: ISO 228 (equivalent to DIN EN ISO 228 and BS EN ISO 228)

Outlets: from 3 to 13, 3/4" Eurokonus

Outlet centre distance: mm.50

Available on demand with deeper mounting brackets art. 498ST without extra charge.

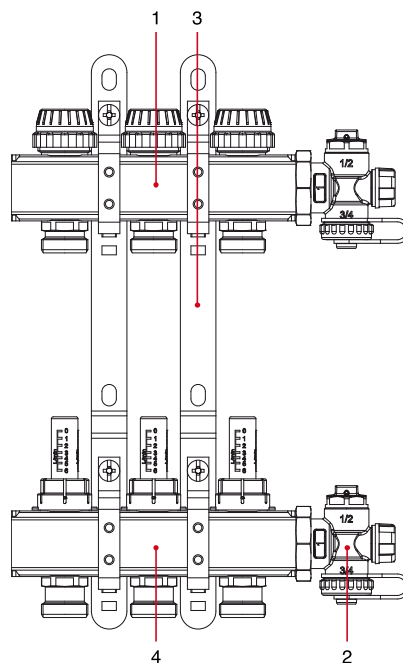
Available on demand with 1/2" outlets.

Available on demand with 1"1/4 side inlets.

**In case of use of electric actuators Art. 891M, it is suggested to use the off-centre by-pass kit Art. 860BY.**

**ATTENTION:** manifolds will be supplied mounted on the brackets; accessories will be supplied separately, inside the same box.

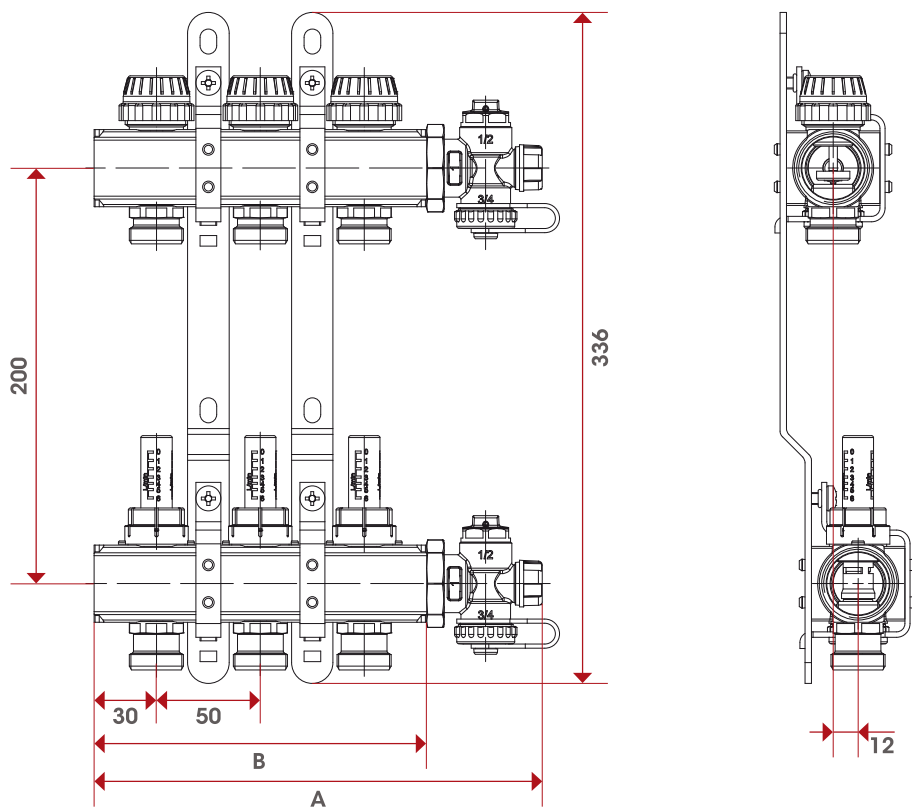
## MATERIALS



POS.	DESCRIPTION	N.	MATERIAL
1	Single manifold with shut-off valves	1	Brass CW603N M-S
2	Manual air vent group	2	Brass CW617N
3	Mounting brackets	1	Steel P11
4	Single manifold with flow-meters	1	Brass CW603N M-S



OVERALL DIMENSIONS



	1" x 3/4"	
	A	B
3	216	160
4	266	210
5	316	260
6	366	310
7	416	360
8	466	410
9	516	460
10	566	510
11	616	560
12	666	610
13	716	660

CERTIFICATIONS

